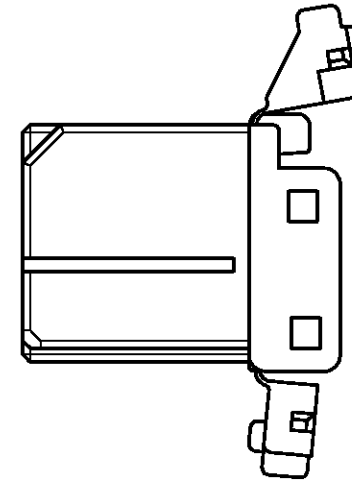
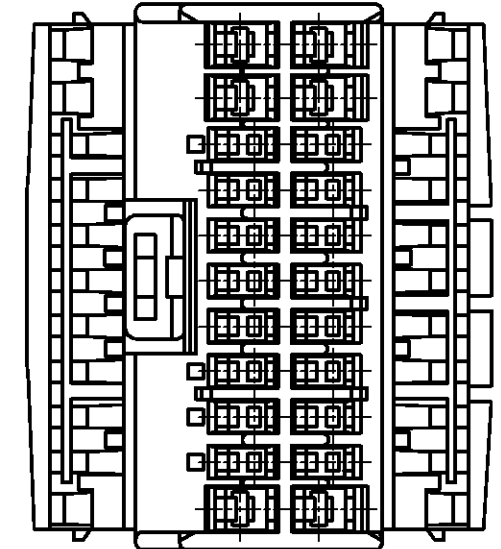
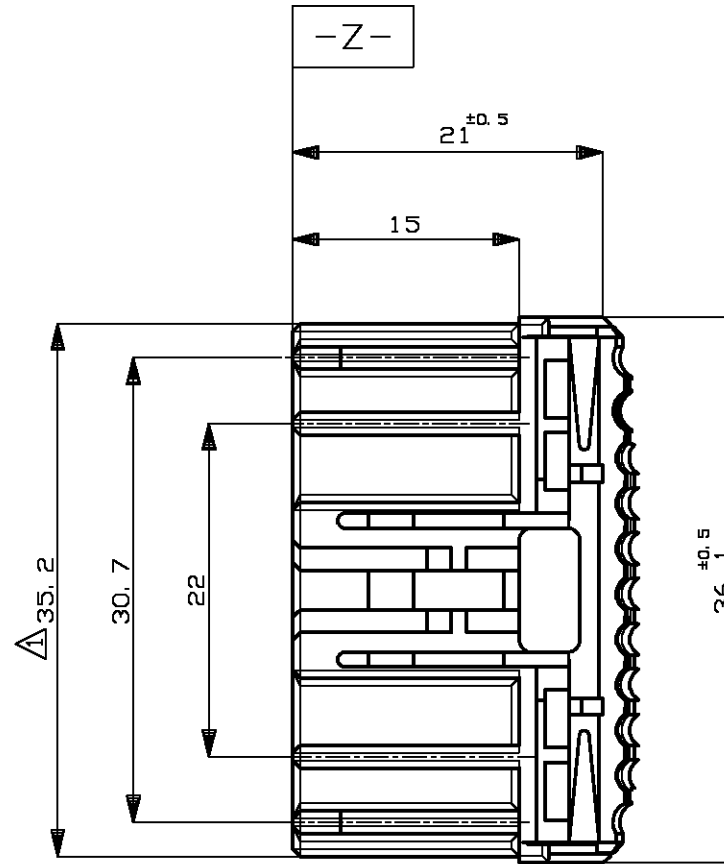
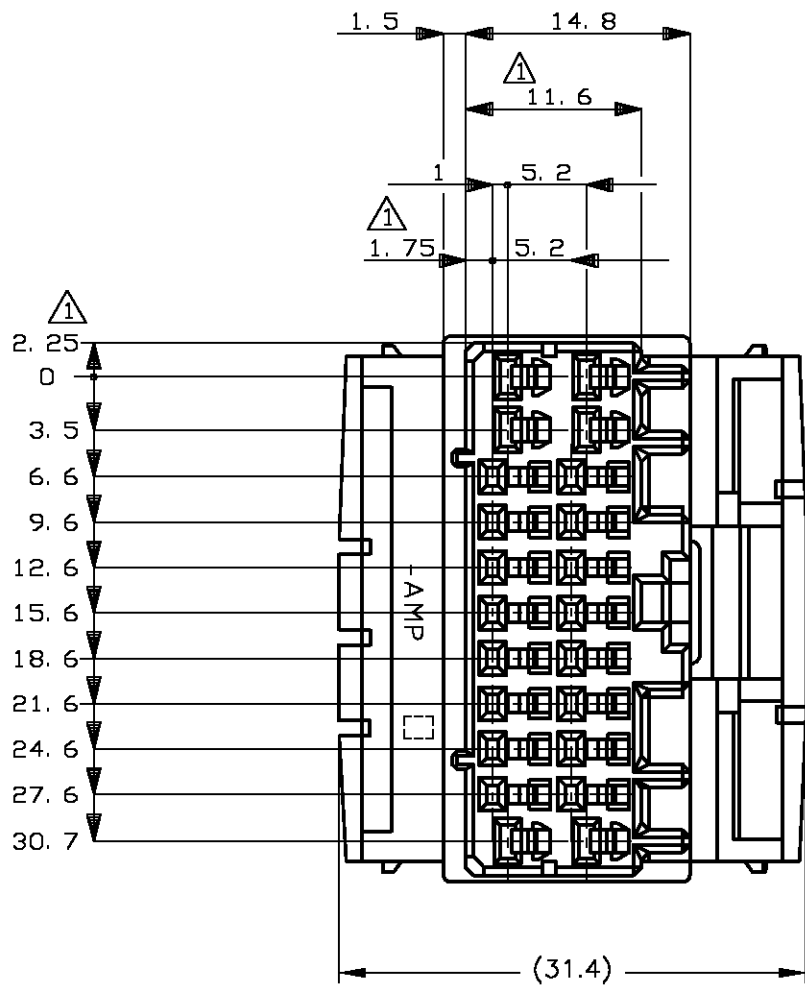


THIS DRAWING IS UNPUBLISHED. RELEASED FOR PUBLICATION
 © COPYRIGHT BY TYCO ELECTRONICS CORPORATION. ALL RIGHTS RESERVED.

LOC	DIST	REVISIONS					
J	-	P	LTR	DESCRIPTION	DATE	DWN	APVD
		C3	REVISED	ECR-08-016673	02JUL08	SF	KB



- △ MUST BE KEPT BETWEEN [-Z-] AND 2mm
- 2. APPLIDE CONTACT PART NUMBER; 173681,173630,173631
- 3. APPLICABLE PRODUCT SPEC.; 108-5280
- △ [-Z-] 面より 2mm の範囲で測定
- 2. 内装するリセプタクルコンタクト型番; 173681,173630,173631
- 3. 適用製品規格番号; 108-5280

橙色 (ORANGE)	175110-8
灰色 (GRAY)	175110-6
青色 (BLUE)	175110-5
白色 (WHITE)	175110-1
色 (COLOR)	型番 (PART NUMBER)

THIS DRAWING IS A CONTROLLED DOCUMENT.		DWN	T.SHINOHARA	28SEP05	Tyco Electronics Corporation Kawasaki, Japan			
DIMENSIONS: 単位: 概 mm		CHK	K.BETSUI	28SEP05	NAME 名称			
TOLERANCES UNLESS OTHERWISE SPECIFIED: 一般公差		APVD	K.BETSUI	28SEP05	PRODUCT SPEC 製品規格			
0 PLC ± -		APPLICATION SPEC 取付適用規格		SIZE		CAGE CODE	DRAWING NO 番号	RESTRICTED TO
1 PLC ± -		WEIGHT		A3		00779	C-175110	-
2 PLC ± -		CUSTOMER DRAWING		SCALE 尺度		2:1	SHEET 1 OF 1	REV C3
3 PLC ± -								
4 PLC ± -								
ANGLES ± -								
FINISH 仕上								
MATERIAL 材料 PBT								
GENERAL TOLERANCE 一般公差: 10以下: ±0.2 10を越え30以下: ±0.25 30を越え100以下: ±0.3 角度: ±3°								

单击下面可查看定价，库存，交付和生命周期等信息

[>>TE Connectivity\(泰科\)](#)