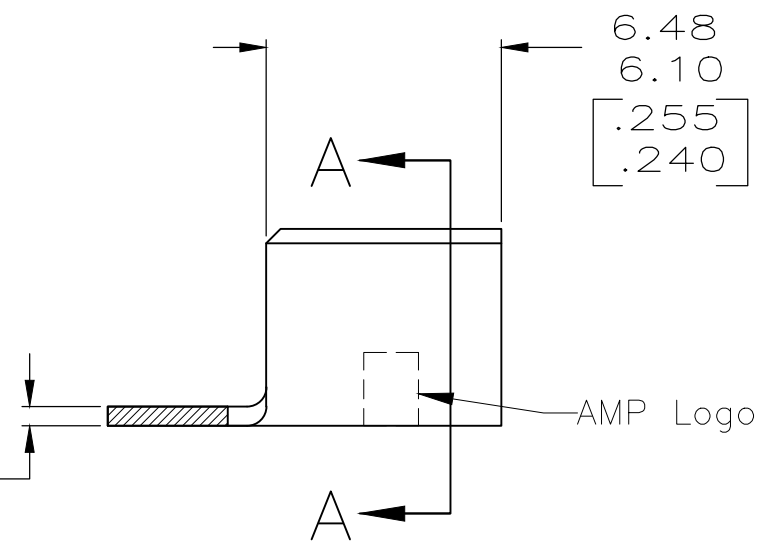
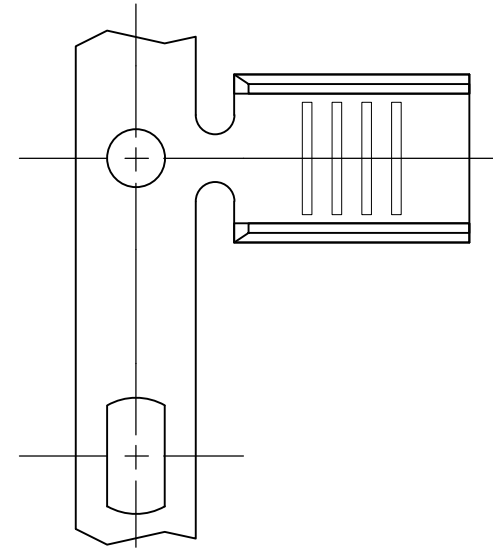
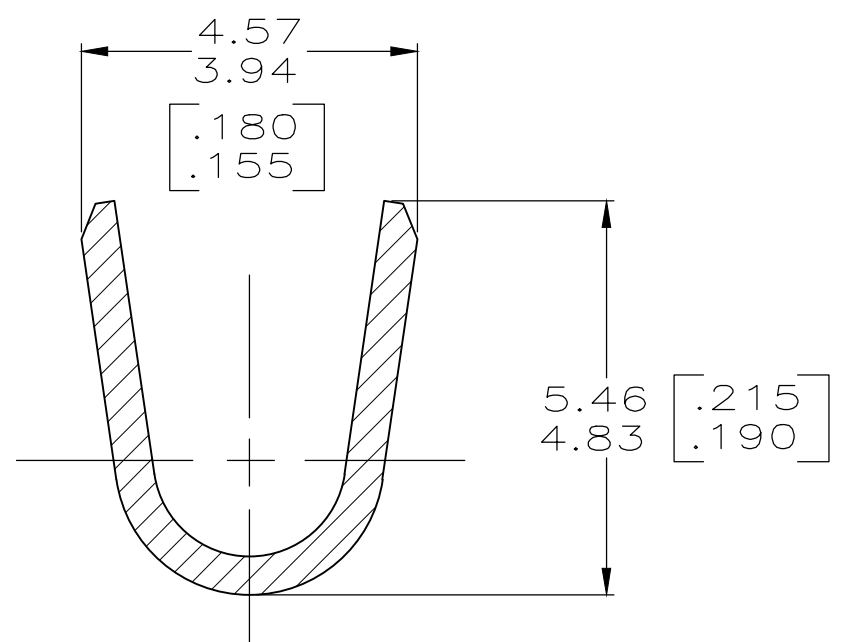


THIS DRAWING IS UNPUBLISHED. RELEASED FOR PUBLICATION
 © COPYRIGHT - By - ALL RIGHTS RESERVED.

LOC	DIST	REVISIONS						
		P	LTR	DESCRIPTION	DATE	DWN	APVD	
AF	50		P3	REVISED PER	ECR-20-005648	19MAY20	LZ	EW



0.508±0.025
 [.020±.001]



SECTION A-A
 SCALE 10:1

- 1 PRODUCT PROVIDED IN STRIP FORM ON REELS; BREAKS MAY BE PRESENT
- 2 SPLICE FREE REELING
- 3 WIRE RANGE FOR NEW APPLICATIONS: 4000-9000 CMA (WIRE RANGE APPROVED FOR APPLICATIONS IMPLEMENTED PRIOR TO 2005: 3000-8400 CMA).
- 4 CRIMP WIDTH = .140 F TYPE
 CRIMP HEIGHT (±.002) = (TOTAL CMA + 14,400) / 223,100.
- 5 PRODUCT LUBRICANT APPLICATOR AVAILABLE FOR TE CONNECTIVITY TERMINATION EQUIPMENT MAY BE REQUIRED TO FACILITATE CRIMPING
- 6 PRELIMINARY - NOT FOR PRODUCTION.

FINISH	MATERIAL	WIRE RANGE	PART NO.
TIN	H00 COPPER		485043-7
	-		-
	-		-
NICKEL	T3 STEEL	3 4 5	485043-4
OBSOLETE	TIN	T3 STEEL	485043-3
	TIN	H04 BRASS	485043-2
2	-	H04 BRASS	485043-1

THIS DRAWING IS A CONTROLLED DOCUMENT.		DWN 11/MAY/95 PHILLIP M FORTNEY	STE TE Connectivity		
DIMENSIONS: INCHES		CHK 11/MAY/95 JEFF R RUTH			
TOLERANCES UNLESS OTHERWISE SPECIFIED:		APVD 11/MAY/95 MARK BARNABA	NAME		
0 PLC ± -		PRODUCT SPEC	SPLICE		
1 PLC ± -		108-106466	SIZE		
2 PLC ± 0.25 [.010]		APPLICATION SPEC	CAGE CODE	DRAWING NO	RESTRICTED TO
3 PLC ± -		114-2088	A3	00779	C-485043
4 PLC ± -		WEIGHT	-		
ANGLES ± -		CUSTOMER DRAWING			
MATERIAL SEE TABLE		FINISH SEE TABLE		SCALE 5:1	SHEET 1 OF 1
				REV P3	

单击下面可查看定价，库存，交付和生命周期等信息

[>>TE Connectivity\(泰科\)](#)