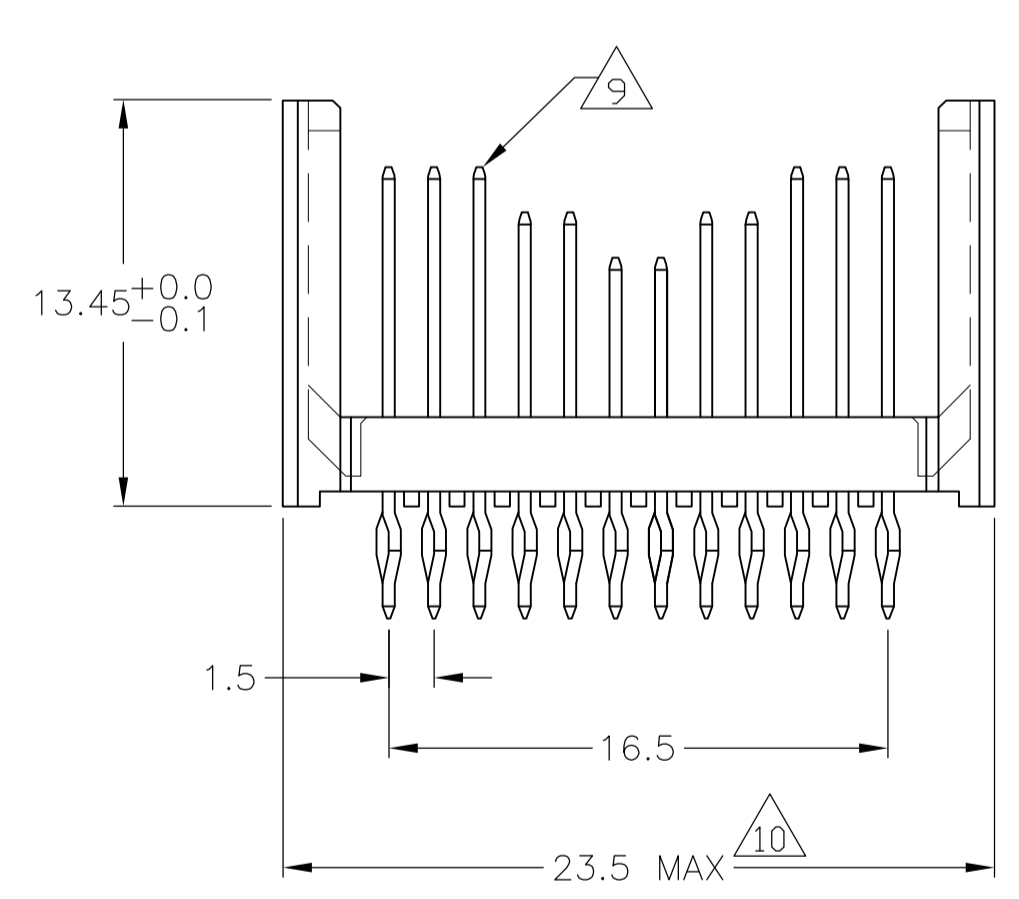
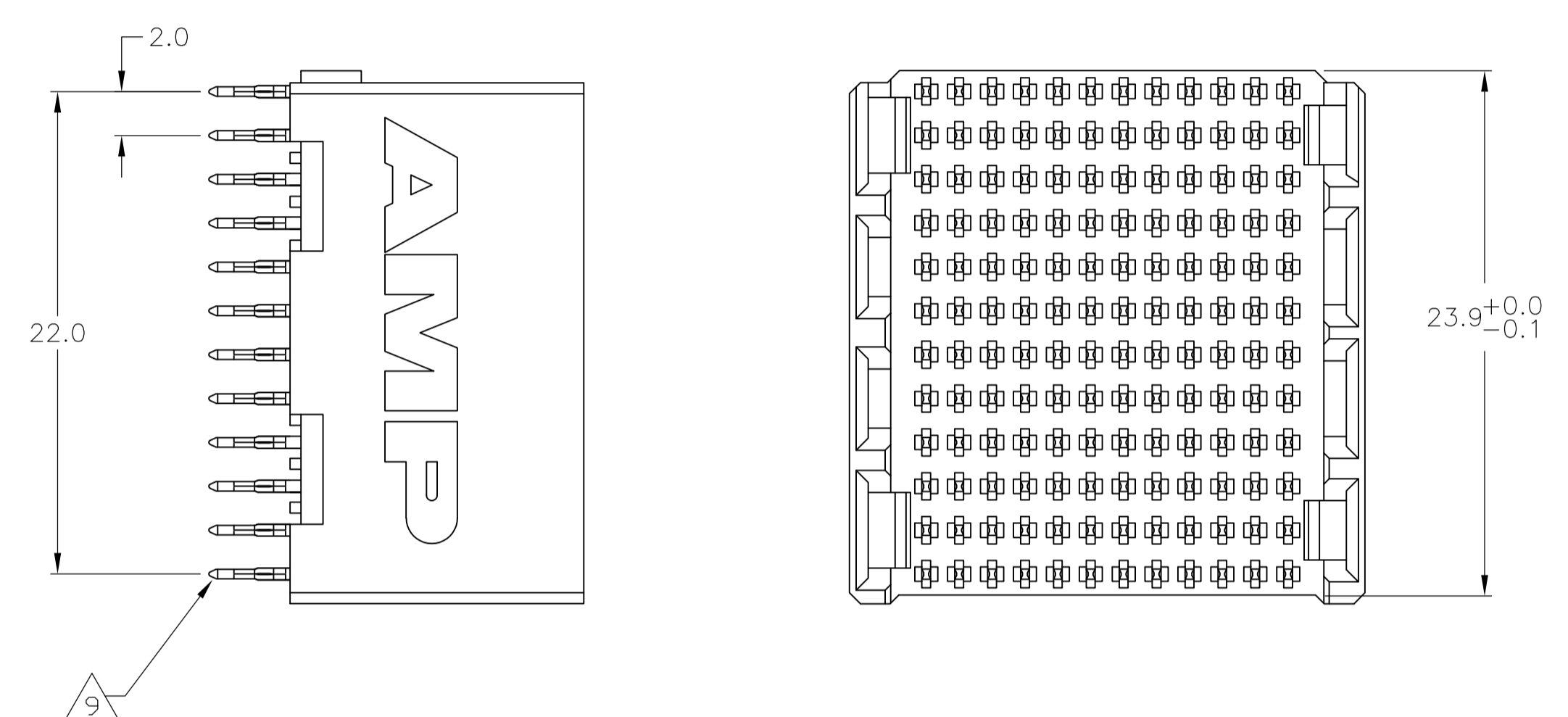
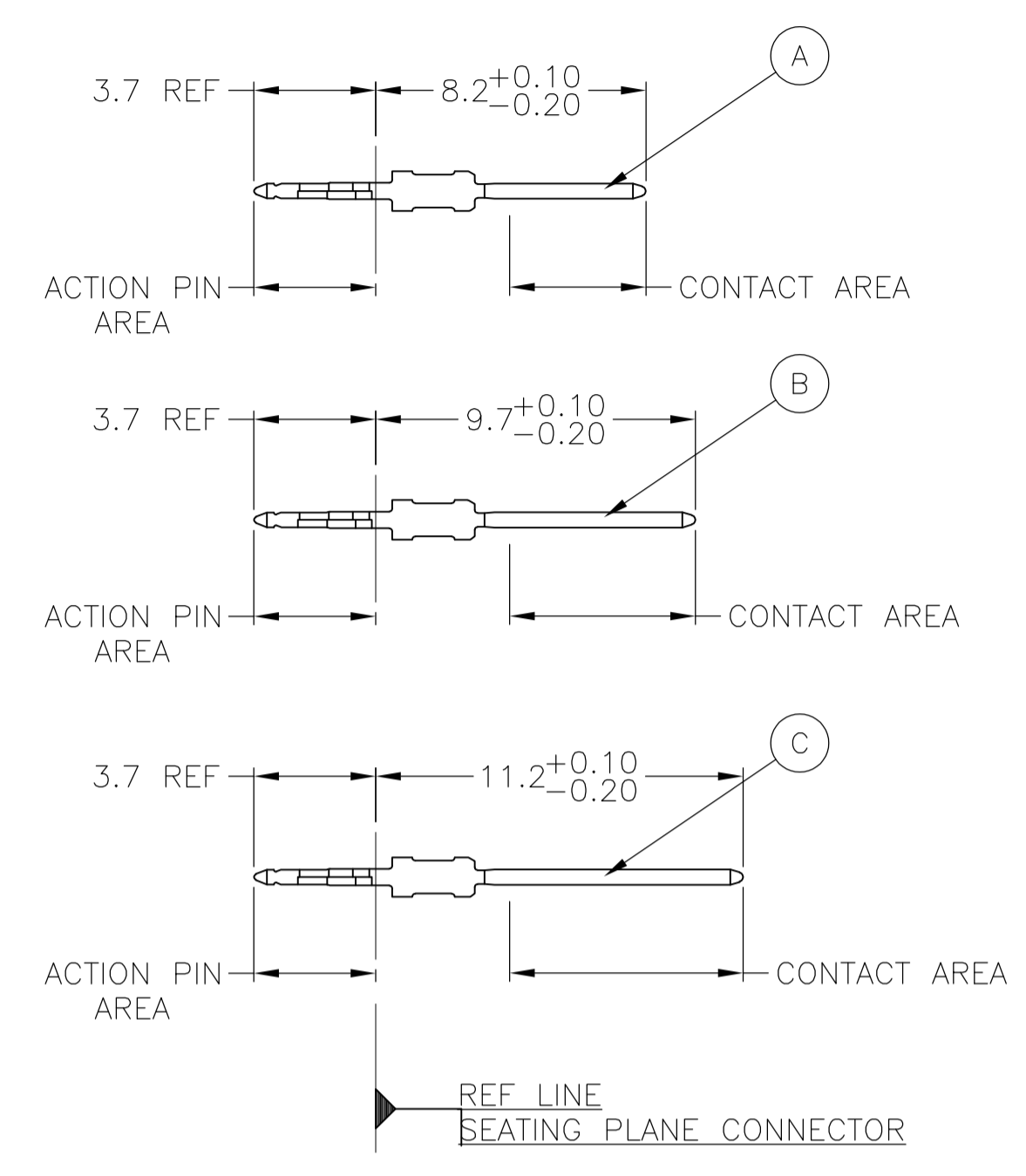


LOC		DIST		REVISIONS			
AD	00	REV	PER	DESCRIPTION	DATE	DMN	APVD
		B	REV PER	ECO-06-02168	10JAN07	DKH	GS
		C	ECR-10-019054		15SEP10	DP	MQW

### CONNECTOR ASSEMBLY EXAMPLARY LOADED 8



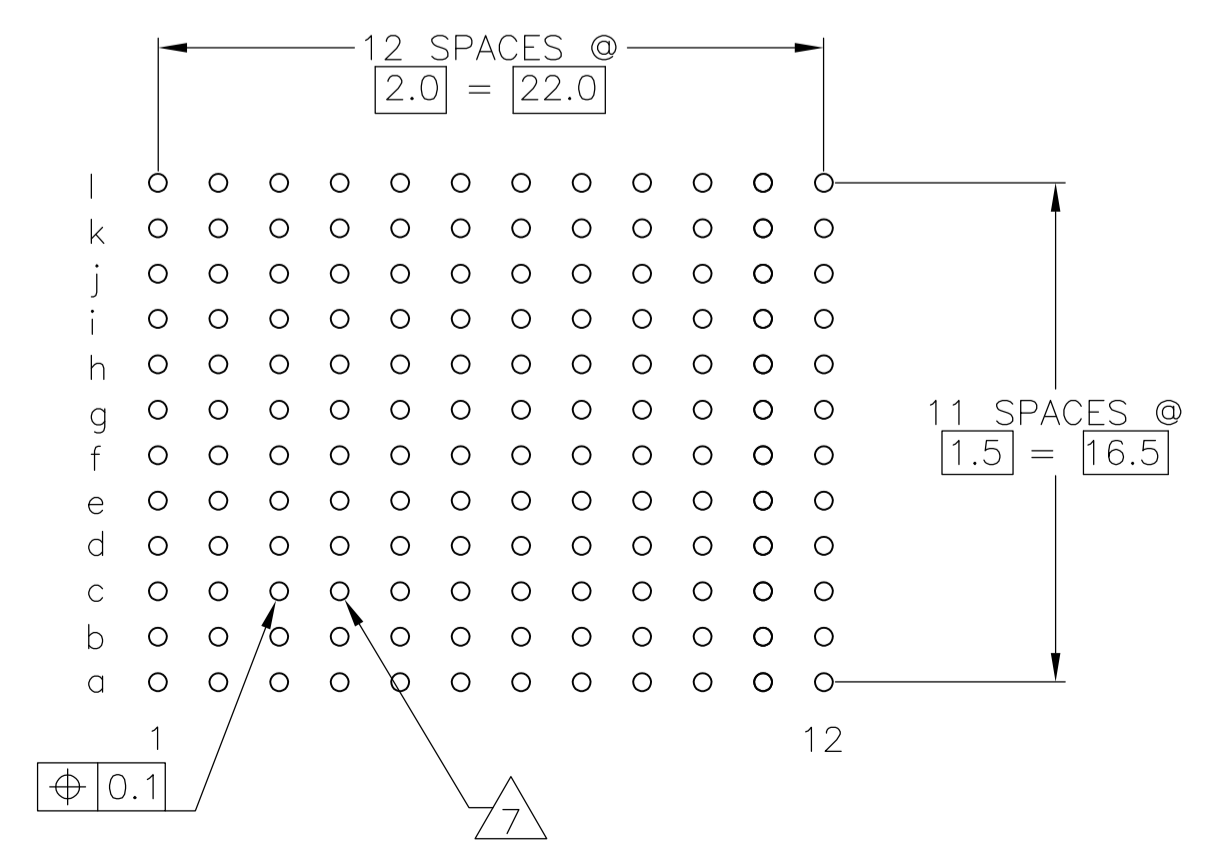
### CONTACT DIMENSIONS SCALE 5:1



### CONTACT LAYOUT

	a	b	c	d	e	f	g	h	i	j	k	l
1	C	C	C	B	B	A	A	B	B	C	C	C
2	C	C	C	B	B	A	A	B	B	C	C	C
3	C	C	C	B	B	A	A	B	B	C	C	C
4	C	C	C	B	B	A	A	B	B	C	C	C
5	C	C	C	B	B	A	A	B	B	C	C	C
6	C	C	C	B	B	A	A	B	B	C	C	C
7	C	C	C	B	B	A	A	B	B	C	C	C
8	C	C	C	B	B	A	A	B	B	C	C	C
9	C	C	C	B	B	A	A	B	B	C	C	C
10	C	C	C	B	B	A	A	B	B	C	C	C
11	C	C	C	B	B	A	A	B	B	C	C	C
12	C	C	C	B	B	A	A	B	B	C	C	C

### RECOMMENDED PCB-HOLE LAYOUT COMPONENT SIDE SHOWN



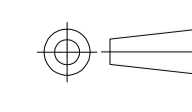
### PLATED THRU HOLES PARAMETERS REFERENCE APPLICATION SPECIFICATION

<span style="border: 1px solid black; padding: 2px;">2</span> / <span style="border: 1px solid black; padding: 2px;">6</span> / <span style="border: 1px solid black; padding: 2px;">11</span>	1-5120779-9
<span style="border: 1px solid black; padding: 2px;">2</span> / <span style="border: 1px solid black; padding: 2px;">5</span> / <span style="border: 1px solid black; padding: 2px;">11</span>	5120779-9
<span style="border: 1px solid black; padding: 2px;">2</span> / <span style="border: 1px solid black; padding: 2px;">4</span> / <span style="border: 1px solid black; padding: 2px;">11</span>	5120779-4
<span style="border: 1px solid black; padding: 2px;">2</span> / <span style="border: 1px solid black; padding: 2px;">3</span> / <span style="border: 1px solid black; padding: 2px;">11</span>	5120779-1
FINISH	PART NUMBER

THIS DRAWING IS A CONTROLLED DOCUMENT.		DIN B CARBO 02JUN05		Tyco Electronics Corporation Harrisburg, Pa 17105-3608	
DIMENSIONS: mm		TOLERANCES UNLESS OTHERWISE SPECIFIED: ±0.2		NAME	
0-PLC ±		1-PLC ±0.1		108-1738	
1-PLC ±0.1		2-PLC ±		APPLICATION SPEC	
2-PLC ±		3-PLC ±		114-1132	
3-PLC ±		4-PLC ±		WEIGHT	
4-PLC ±		ANGLES		A1 00779 C=5120779	
MATERIAL		FINISH SEE TABLE		CUSTOMER DRAWING	
SCALE 4:1		SHEET 1 OF 2		REV C	

LOC		DIST		REVISIONS				
P	LTR	DESCRIPTION	DATE	DN	APVO			
AD	00	SEE SHEET 1	-	-	-			

- 1 MATERIAL:  
CONTACT: PHOSPHOR BRONZE.  
HOUSING: GLASS-FILLED POLYESTER.
- 2 GENERAL PLATING SPECIFICATION: UNDERPLATING  
(ENTIRE CONTACT): 1.27µm MIN NICKEL AND ACTION  
PIN: 0.5µm MIN TIN.  
FOR PLATING OF MATING SURFACES SEE APPLICABLE  
SPECIFICATION REFERENCE FOR EACH DASH NUMBER.
- 3 CONFORMS TO ALL TESTING ACCORDING TO IEC 61076-4-101  
PERFORMANCE LEVEL 2.
- 4 CONFORMS TO ALL TESTING ACCORDING TO IEC 61076-4-101  
PERFORMANCE LEVEL 1.
- 5 CONNECTOR TESTED AND QUALIFIED AGAINST TELCORDIA GR-1217-CORE QUALITY LEVEL 3,  
CENTRAL OFFICE APPLICATIONS.
- 6 CONNECTOR TESTED AND QUALIFIED AGAINST TELCORDIA GR-1217-CORE QUALITY LEVEL 3,  
UNCONTROLLED ENVIROMENT APPLICATIONS.
- 7 PLATED-THROUGH HOLES AT 2x2mm SQUARE GRID  
PATTERN DEFINED BY CONTACT LAYOUT.
- 8 FOR ACTUAL PIN LOADING SEE "CONTACT LAYOUT".
- 9 FOR ACTUAL PIN DIMENSIONS SEE "CONTACT DIMENSIONS".
- 10 TO BE MEASURED AT BOTTOM OF SHROUD.
- 11 CONNECTOR LUBRICATED WITH BELCORE APPROVED LUBRICANT,  
TECHNICAL REFERENCE: TR-NWT-001217 ISSUE 1, SEP 1992.

THIS DRAWING IS A CONTROLLED DOCUMENT.		DIN B CARBO 02JUN05		Tyco Electronics Corporation Harrisburg, Pa 17105-3608	
DIMENSIONS: mm		TOLERANCES UNLESS OTHERWISE SPECIFIED: ±0.2		G.SKIPPER 02JUN05	
		0-PLC ± 1-PLC ±0.1 2-PLC ± 3-PLC ± 4-PLC ± ANGLES ±		APVO G.SKIPPER 02JUN05 PRODUCT SPEC 108-1738 APPLICATION SPEC 114-1132	
MATERIAL SEE SHEET 1		FINISH SEE SHEET 1		WEIGHT A1 00779 5120779 CUSTOMER DRAWING	
				SIZE	RESTRICTED TO
				A1 00779 5120779	-
				SCALE 4:1	SHEET 2 OF 2
				REV C	

单击下面可查看定价，库存，交付和生命周期等信息

[>>TE Connectivity\(泰科\)](#)