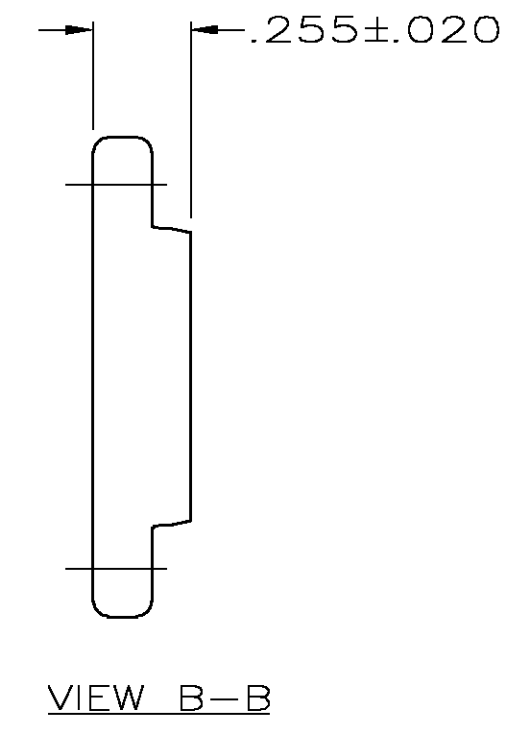
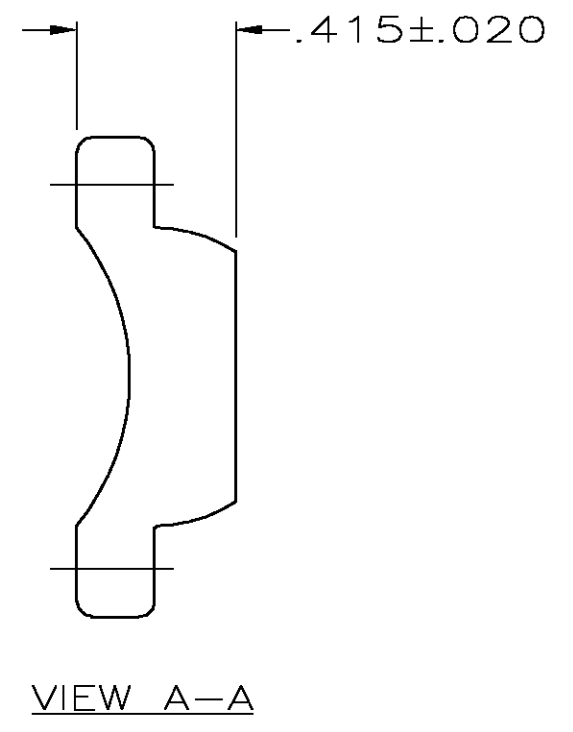
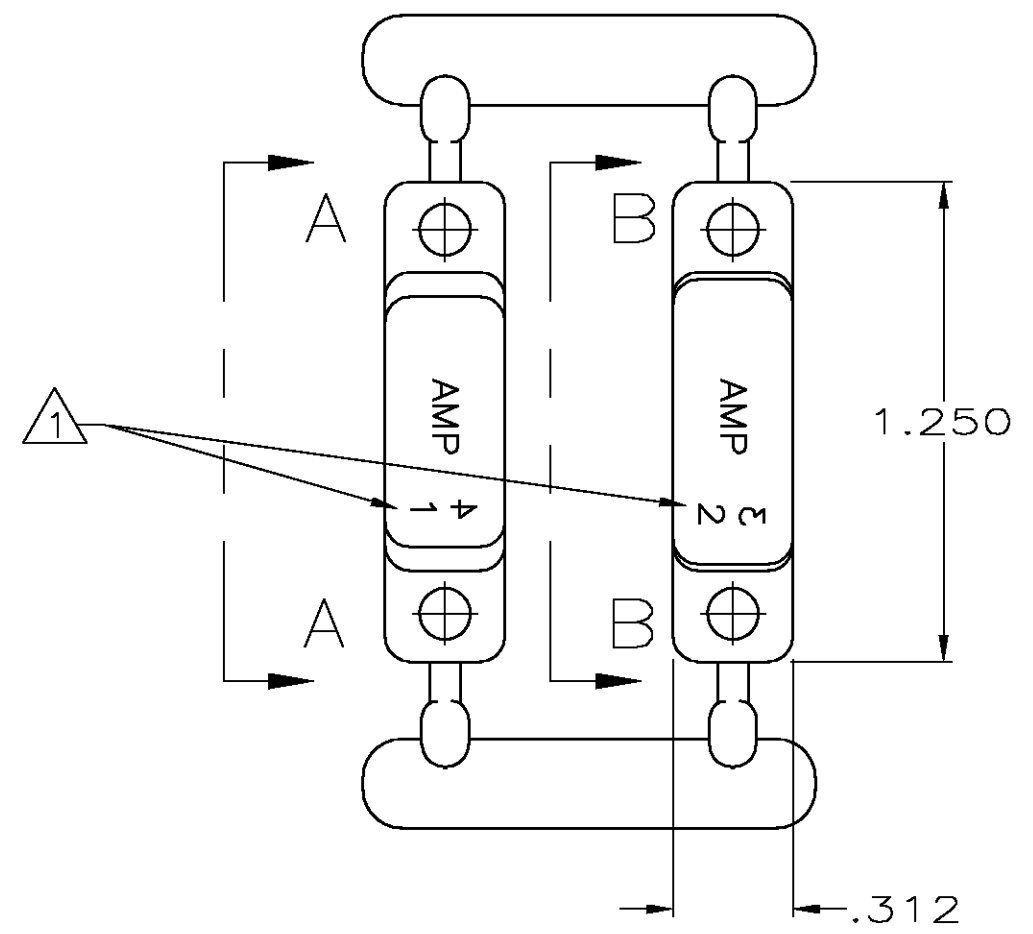


THIS DRAWING IS UNPUBLISHED. RELEASED FOR PUBLICATION  
 © COPYRIGHT BY TYCO ELECTRONICS CORPORATION. ALL RIGHTS RESERVED.

| LOC | DIST | REVISIONS   |                        |         |       |
|-----|------|-------------|------------------------|---------|-------|
| P   | LTR  | DESCRIPTION | DATE                   | DWN     | APVD  |
| FT  | 0    | C1          | REVISED PER ECO-05-628 | 5/11/05 | SS SH |



|          |             |
|----------|-------------|
| 3        | 207682-2    |
| 2        | 207682-1    |
| MATERIAL | PART NUMBER |

- NOTES:**
- 1 MOLDDED CHARACTER FOR IDENT, .125 MAX HIGH LOCATED APPROX. AS SHOWN (1 & 2 ON FRONT FACE 3 & 4 ON REAR FACE)
  - 2 MATERIAL: NYLON, BLACK.
  - 3 MATERIAL: POLYESTER PBT, BLACK.

|  |  |                           |   |                       |
|--|--|---------------------------|---|-----------------------|
| THIS DRAWING IS A CONTROLLED DOCUMENT.   |  | DWN<br>A GRAFF<br>4/23/91 | Tyco Electronics Corporation<br>Harrisburg, Pa 17105-3608 |                       |
| DIMENSIONS: INCHES<br>   |  | CHK<br>W.LENKER<br>3-4-92 |   |                       |
| TOLERANCES UNLESS OTHERWISE SPECIFIED:<br>0 PLC ± -<br>1 PLC ± -<br>2 PLC ± -<br>3 PLC ± .010<br>4 PLC ± -<br>ANGLES ± - |  | APVD<br>-                 | NAME<br>CABLE CLAMP INSERT, SHELL SIZE 23, CPC            |                       |
| MATERIAL<br>THERMOPLASTIC  |  | FINISH<br>-               | PRODUCT SPEC<br>-   | APPLICATION SPEC<br>- |
|  |  | WEIGHT<br>-               | SIZE<br>A3  | CAGE CODE<br>00779    |
|  |  | CUSTOMER DRAWING          | DRAWING NO<br>C-207682                                    | RESTRICTED TO<br>-    |
|  |  |                           | SCALE<br>2:1  | SHEET<br>1 OF 1       |
|  |  |                           |   | REV<br>C1             |

单击下面可查看定价，库存，交付和生命周期等信息

[>>TE Connectivity\(泰科\)](#)