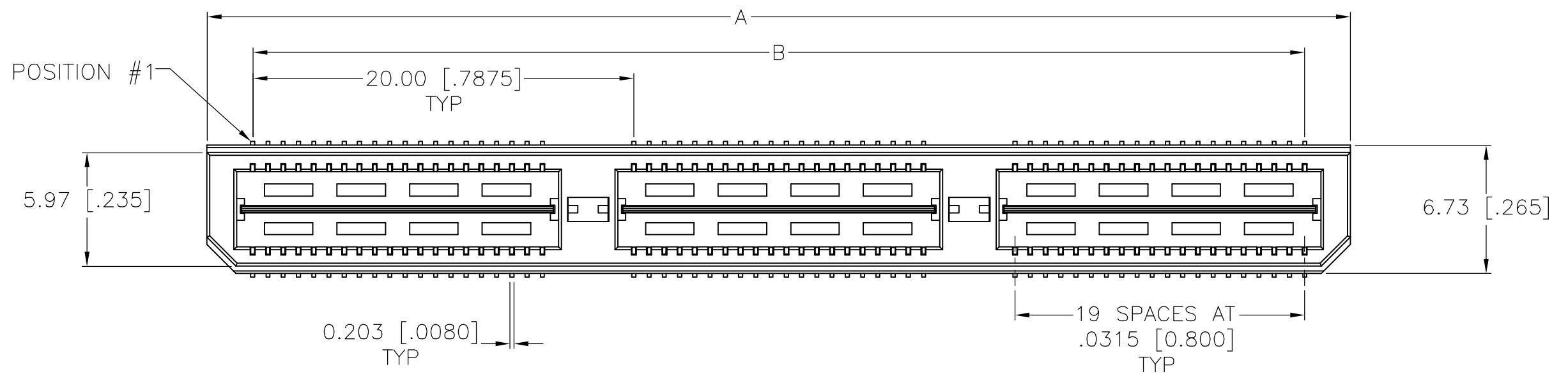
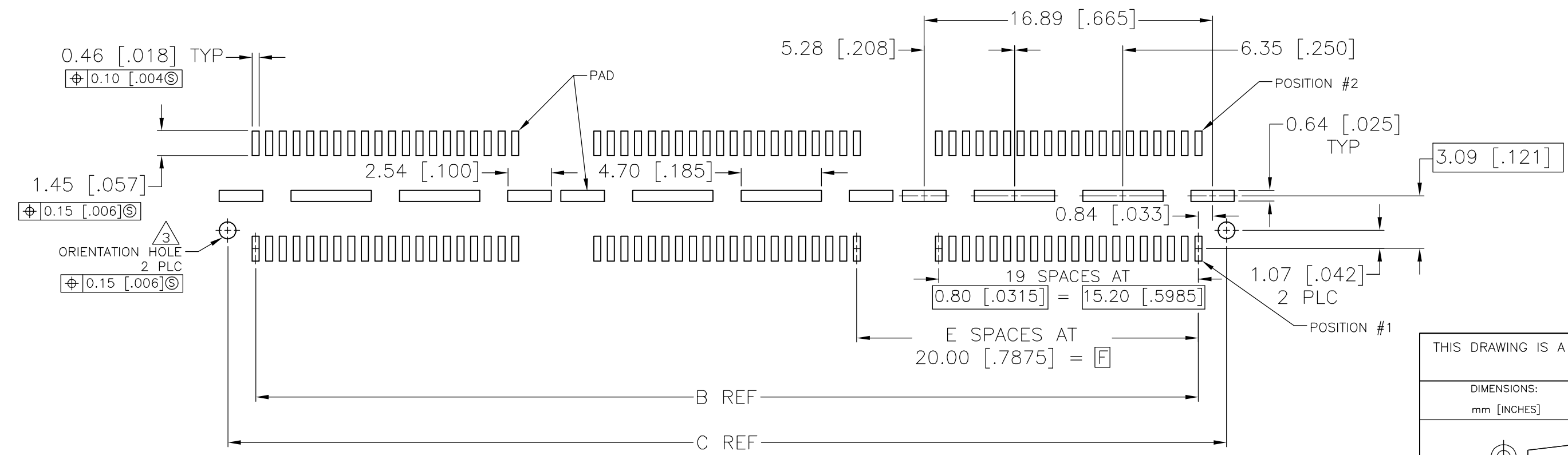
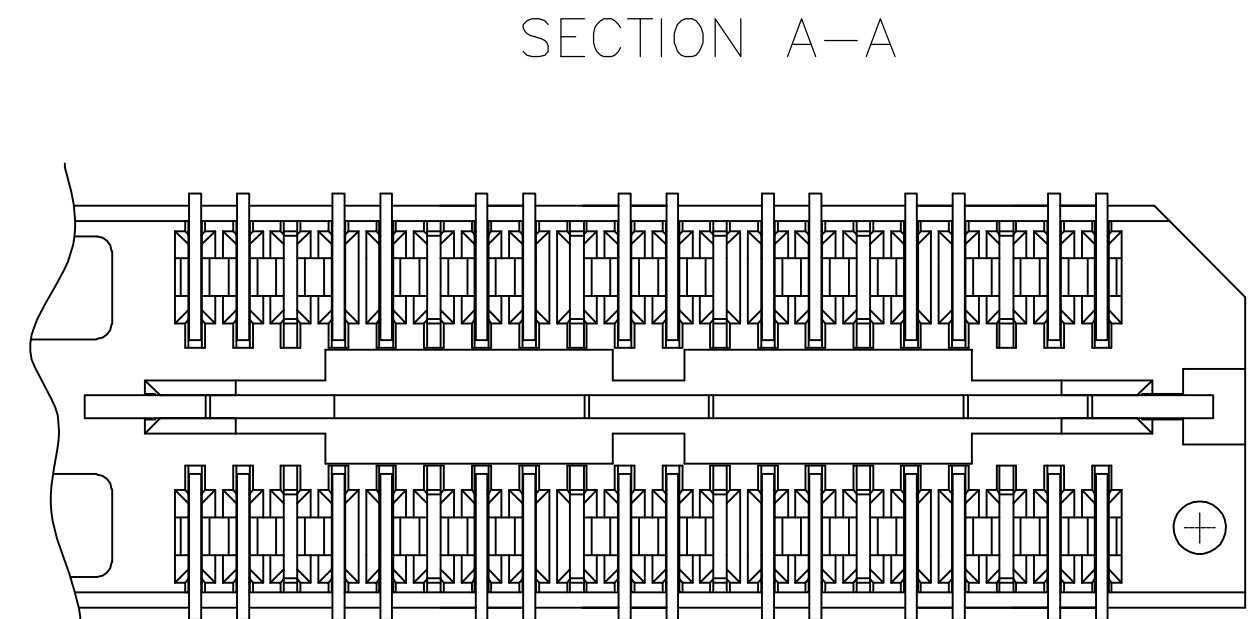
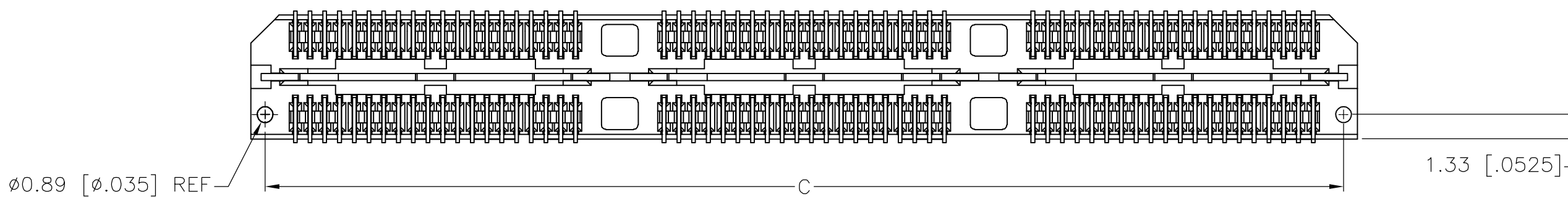
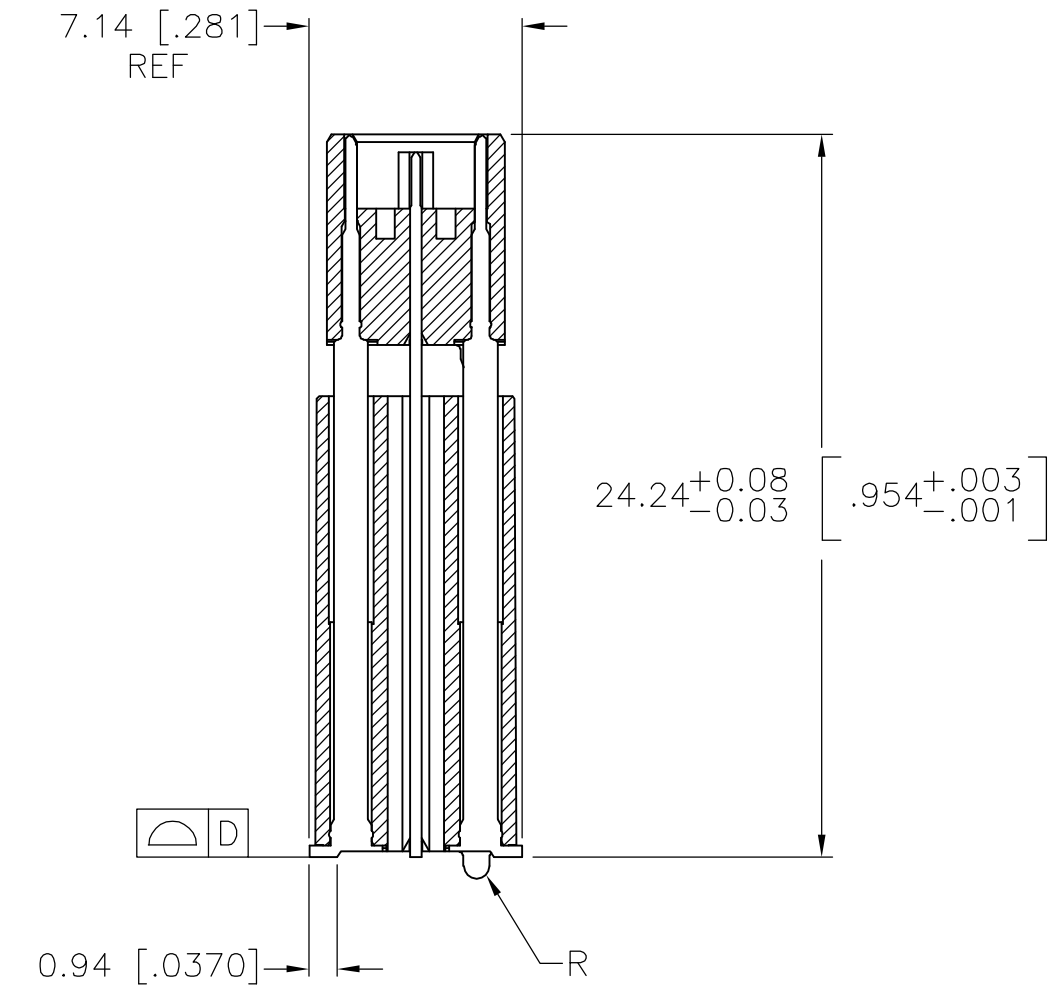
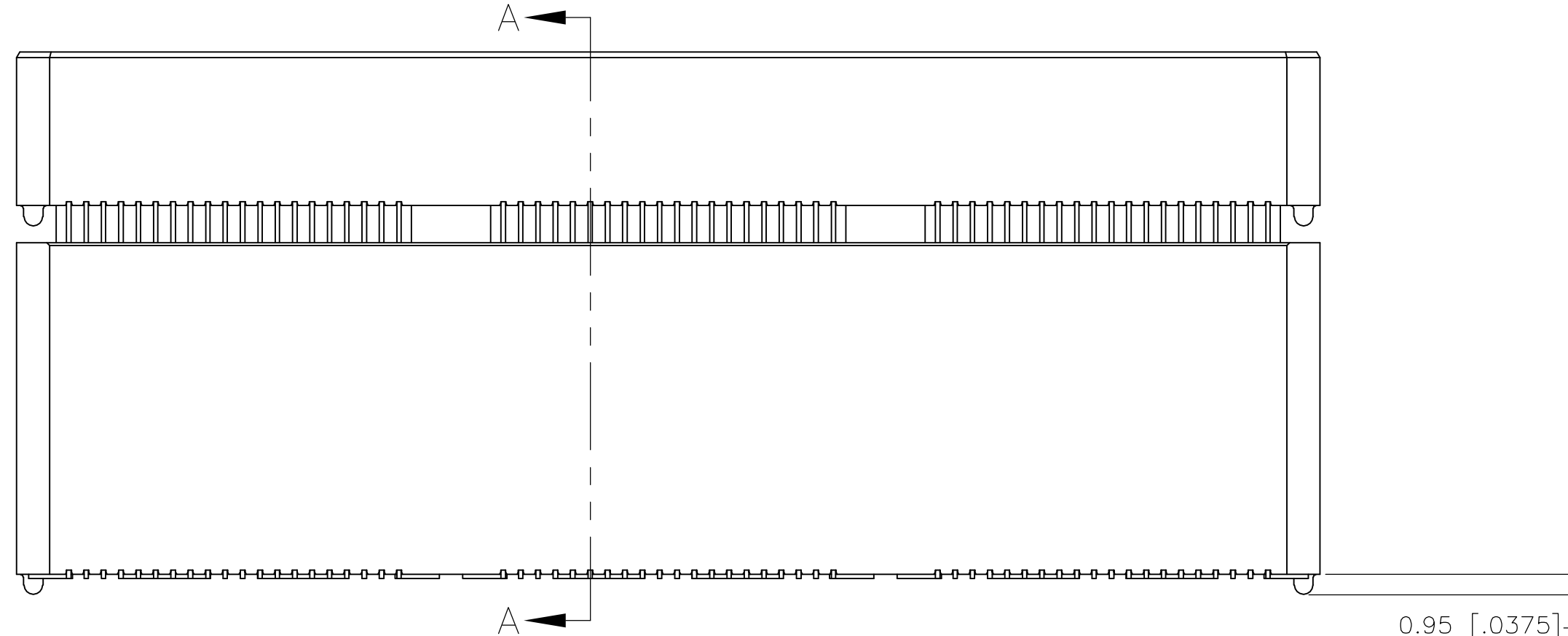


THIS DRAWING IS UNPUBLISHED. RELEASED FOR PUBLICATION
 © COPYRIGHT BY TYCO ELECTRONICS CORPORATION. ALL RIGHTS RESERVED.

LOC		DIST		REVISIONS			
P	LTR	DATE	DWN	APVD			
AD	00						
G		REVISED PER EC 0512-0273-05	19SEP05	JDP	DD		



- 1 HOUSING: LCP, BLACK.
CONTACT & GROUND PLANE: PHOS BRONZE.
- 2 CONTACT PLATING: SELECT GOLD FLASH.
- 3 FOR STANDARD APPLICATIONS, ORIENTATION HOLE TO BE $\phi 1.02$ [$\phi 0.400$].



RECOMMENDED PC BOARD LAYOUT
 (VIEWED FROM CONNECTOR SIDE)


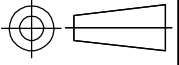
THIS DRAWING IS A CONTROLLED DOCUMENT.		DWN B.CARRO 27MAY03	Tyco Electronics Corporation Harrisburg, PA 17105-3608
DIMENSIONS: mm [INCHES]		CHK D.DIXON 27MAY03	
TOLERANCES UNLESS OTHERWISE SPECIFIED:		APVD D.DIXON 27MAY03	NAME HEADER ASSEMBLY, 25.0MM [.984] VERTICAL, 0.80MM CL, MICTOR SB
0 PLC ± - 1 PLC ± 0.3[.01] 2 PLC ± 0.13[.005] 3 PLC ± 0.05[.0020] 4 PLC ± - ANGLES ± 2° FINISH		PRODUCT SPEC -	
MATERIAL		APPLICATION SPEC -	SIZE A2
1 2		WEIGHT -	CAGE CODE 00779
CUSTOMER DRAWING		DRAWING NO C=1658050	RESTRICTED TO -
		SCALE 3:1	SHEET 1 of 2
			REV G

1658050

THIS DRAWING IS UNPUBLISHED. RELEASED FOR PUBLICATION
 © COPYRIGHT BY TYCO ELECTRONICS CORPORATION. ALL RIGHTS RESERVED.

LOC	DIST	REVISIONS			
P	LTR	DESCRIPTION	DATE	DWN	APVD
AD	00	SEE SHEET 1	-	-	-

80.00(3.150)	4	0.152(.0060)	98.50(3.748)	95.20(3.748)	100.00(3.937)	TRAY	YES	140	1-1658050-5
60.00(2.362)	3	0.152(.0060)	78.49(3.090)	75.20(2.961)	80.00(3.150)	TRAY	YES	112	1-1658050-4
40.00(1.575)	2	0.102(.0040)	58.50(2.303)	55.20(2.173)	60.00(2.362)	TRAY	YES	84	1-1658050-3
20.00(.7874)	1	0.102(.0040)	38.48(1.515)	35.20(1.386)	40.00(1.575)	TRAY	YES	56	1-1658050-2
0(.000)	0	0.102(.0040)	18.49(.728)	15.20(.598)	20.00(.787)	TRAY	YES	28	1-1658050-1
80.00(3.150)	4	0.152(.0060)	98.50(3.748)	95.20(3.748)	100.00(3.937)	TRAY	NO	200	1658050-5
60.00(2.362)	3	0.152(.0060)	78.49(3.090)	75.20(2.961)	80.00(3.150)	TRAY	NO	160	1658050-4
40.00(1.575)	2	0.102(.0040)	58.50(2.303)	55.20(2.173)	60.00(2.362)	TRAY	NO	120	1658050-3
20.00(.7874)	1	0.102(.0040)	38.48(1.515)	35.20(1.386)	40.00(1.575)	TRAY	NO	80	1658050-2
0(.000)	0	0.102(.0040)	18.49(.728)	15.20(.598)	20.00(.787)	TRAY	NO	40	1658050-1
F	E	D	C	B	A	PACKAGING TYPE	DIFF. PAIR	NO OF POS	PART NUMBER

THIS DRAWING IS A CONTROLLED DOCUMENT.		DWN B.CARBO 27MAY03	 Tyco Electronics Corporation Harrisburg, PA 17105-3608	
DIMENSIONS: mm [INCHES]		CHK D.DIXON 27MAY03		
		APVD D.DIXON 27MAY03	NAME HEADER ASSEMBLY, 25.0MM [.984] VERTICAL, 0.80MM CL, MICTOR SB	
TOLERANCES UNLESS OTHERWISE SPECIFIED: 0 PLC ± - 1 PLC ± 0.3[.01] 2 PLC ± 0.13[.005] 3 PLC ± 0.05[.0020] 4 PLC ± - ANGLES ± 2°		PRODUCT SPEC -	RESTRICTED TO -	
MATERIAL SEE SHEET 1		APPLICATION SPEC -	SIZE A2	CAGE CODE 00779
FINISH SEE SHEET 1		WEIGHT -	DRAWING NO C=1658050	SCALE 3:1
		CUSTOMER DRAWING		SHEET 2 of 2
				REV G

1658050

单击下面可查看定价，库存，交付和生命周期等信息

[>>TE Connectivity\(泰科\)](#)