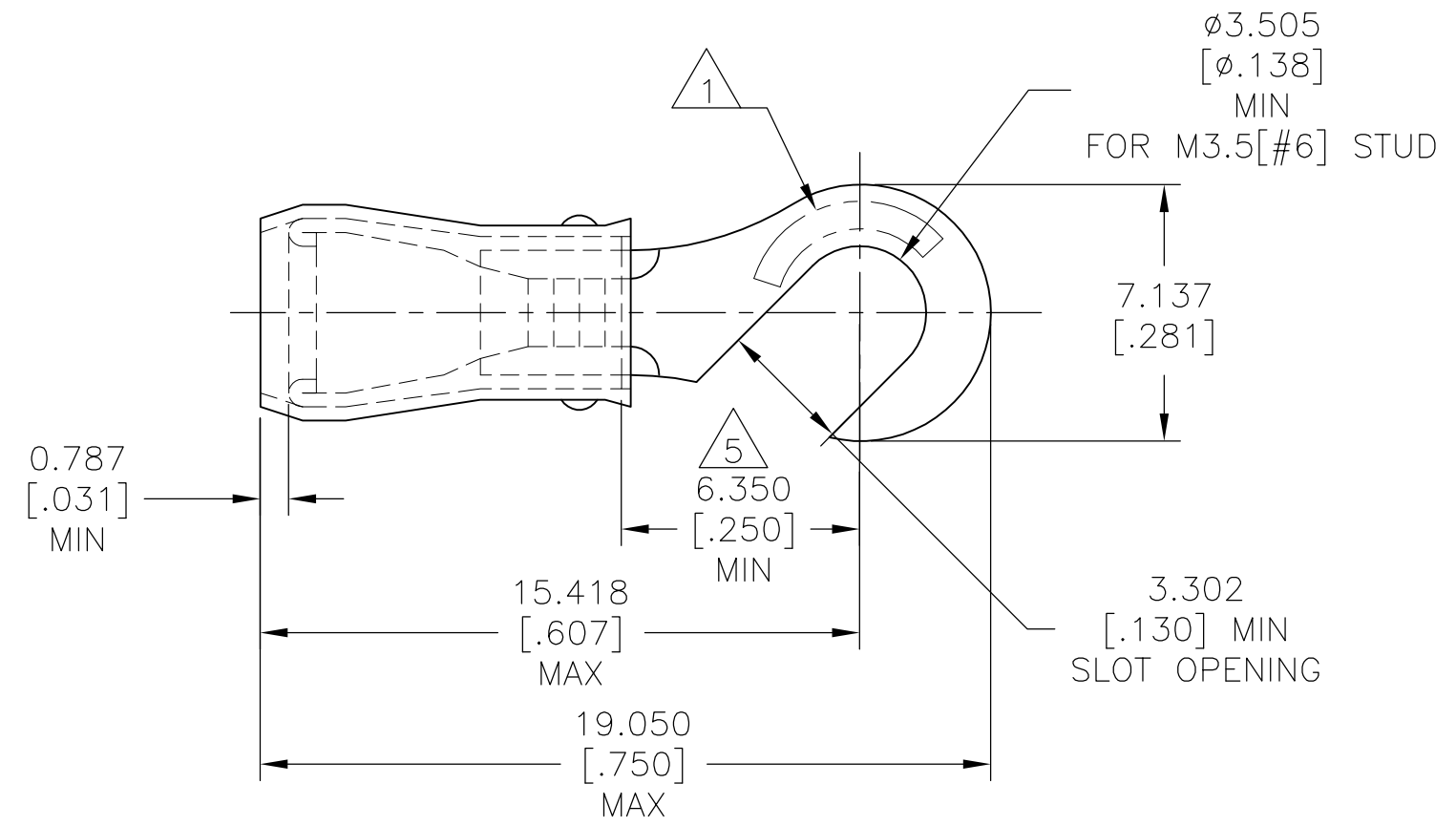


REVISIONS					
P	LTR	DESCRIPTION	DATE	DWN	APVD
	J1	REVISED PER ECR-16-016655	02DEC2016	BDA	DR
	J2	REVISED PER ECO-17-007400	01DEC2017	RS	DR

AMP WIRE RANGE	E13288 Listed	LR7189 Certified
22-16 AWG SOLID OR STRANDED	22-16 AWG SOLID OR STRANDED	22-16 AWG SOLID OR STRANDED



- 1 STAMP AMP 22-18* APPROX AS SHOWN
22-16 TERMINALS ARE STAMPED 22-18 IN
ACCORDANCE WITH MILITARY SPEC SAE AS 7928
COMMERCIAL WIRE RANGE IS 22-16.
- 2 WIRE INSULATION: Ø2.667-3.556[Ø.105-.140]
- 3 BODY MATERIAL THK: 0.787±0.051[.031±.002]
- 4 NOTE DELETED.
- 5 APPLIES FROM EDGE OF METAL WIRE BARREL TO
CENTER OF STUD HOLE.

1000	LOOSE PIECE	34313
QTY.	PACKAGE TYPE	PART NO.

AMP INCORPORATED
 CUSTOMER SERVICE SYSTEMS

FOR ADDITIONAL PRODUCT INFORMATION OR COPIES OF DRAWINGS AND TECHNICAL DOCUMENTS	PRODUCT INFORMATION CENTER 1-800-522-6752
FOR APPLICATION TOOLING INFORMATION	TOOLING ASSISTANCE CENTER 1-800-722-1111
FOR ORDER ENTRY	1-800-526-5142

MAX RECOMMENDED OPERATING TEMPERATURE: 105°C [221°F] MAX
VOLTAGE RATING: 300 V MAX
WIRE CROSS SECTIONAL AREA RANGE, 0.26-1.65mm ² [509-3,260] CIR MILS SOLID OR STRANDED

THIS DRAWING IS A CONTROLLED DOCUMENT.	
DIMENSIONS: mm [INCHES]	TOLERANCES UNLESS OTHERWISE SPECIFIED:
	0 PLC ± - 1 PLC ± - 2 PLC ± - 3 PLC ± 0.127[.005] 4 PLC ± - ANGLES ± -
MATERIAL COOPER PER ASTM B-152 NYLON, COLOR: RED	FINISH TIN PLATE PER ASTM B 545

DWN L OLMEDA 3/21/94
CHK R HERSEY 3/21/94
APVD M ELLIS 3/21/94
PRODUCT SPEC UL 486 A-B
APPLICATION SPEC 114-2157
WEIGHT -

TE Connectivity			
NAME TERMINAL, HOOK, P.I.D.G., WIRE SIZE: 22-16 AWG			
SIZE A3	CAGE CODE 00779	DRAWING NO C-34313	RESTRICTED TO -
CUSTOMER DRAWING		SCALE 5:1	SHEET 1 OF 1
		REV J2	

单击下面可查看定价，库存，交付和生命周期等信息

[>>TE Connectivity\(泰科\)](#)