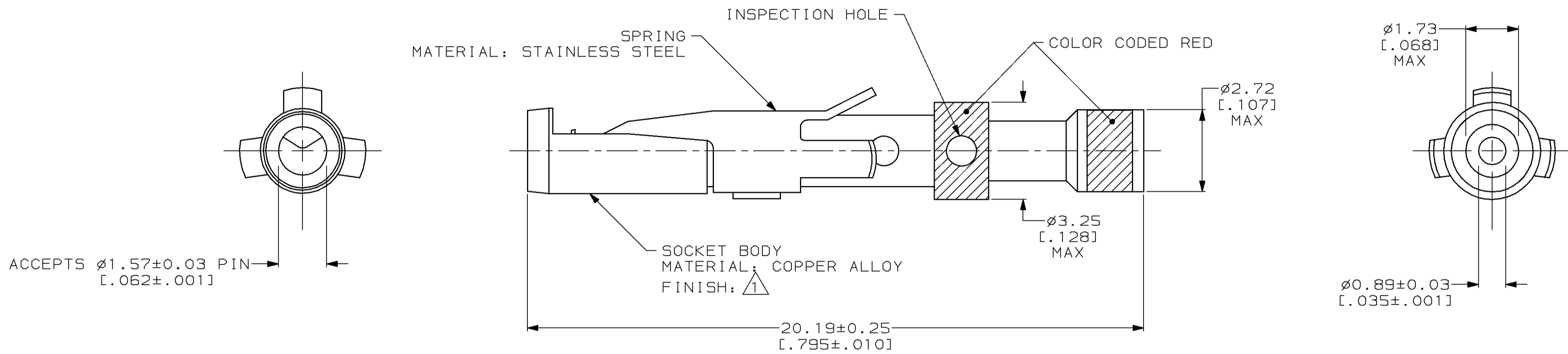


THIS DRAWING IS UNPUBLISHED. RELEASED FOR PUBLICATION
 BY AMP INCORPORATED. ALL RIGHTS RESERVED.

Loc		DIST		REVISIONS			
P	LTR	DESCRIPTION		DATE	DWN	APVD	
FT	8	R		REDRAWN W/O CHANGE PER EC 0320-98-96	24 NOV 97	-	-



$\triangle 1$ $0.76 \mu\text{m}$ $[\pm 0.00030]$ MIN GOLD OVER $1.27 \mu\text{m}$ $[\pm 0.00050]$ MIN NICKEL.

201613-1
 PART NUMBER

THIS DRAWING IS A CONTROLLED DOCUMENT.		DWN B. CARBO 24 NOV 97	AMP Incorporated Harrisburg, PA 17105-3608	
DIMENSIONS: mm [INCHES]		CHK R. STONE 09 DEC 97	NAME G. STEINHAUER	
TOLERANCES UNLESS OTHERWISE SPECIFIED:		APVD 16 DEC 97	PRODUCT SPEC	
0 PLC \pm		APPLICATION SPEC	CONTACT ASSEMBLY, SOCKET, #16, 24-28AWG, TYPE II	
1 PLC \pm		WEIGHT	SIZE	CAGE CODE
2 PLC ± 0.13 $[\pm 0.005]$		CUSTOMER DRAWING	A2	00779
3 PLC \pm		SCALE	10:1	SHEET
4 PLC \pm		RESTRICTED TO	1	OF
ANGLES \pm		REV	1	1
FINISH				
SEE CALLOUTS				

201613

单击下面可查看定价，库存，交付和生命周期等信息

[>>TE Connectivity\(泰科\)](#)