

4

3

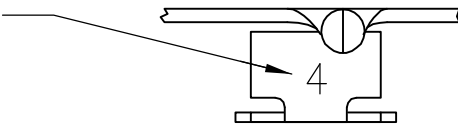
2

1

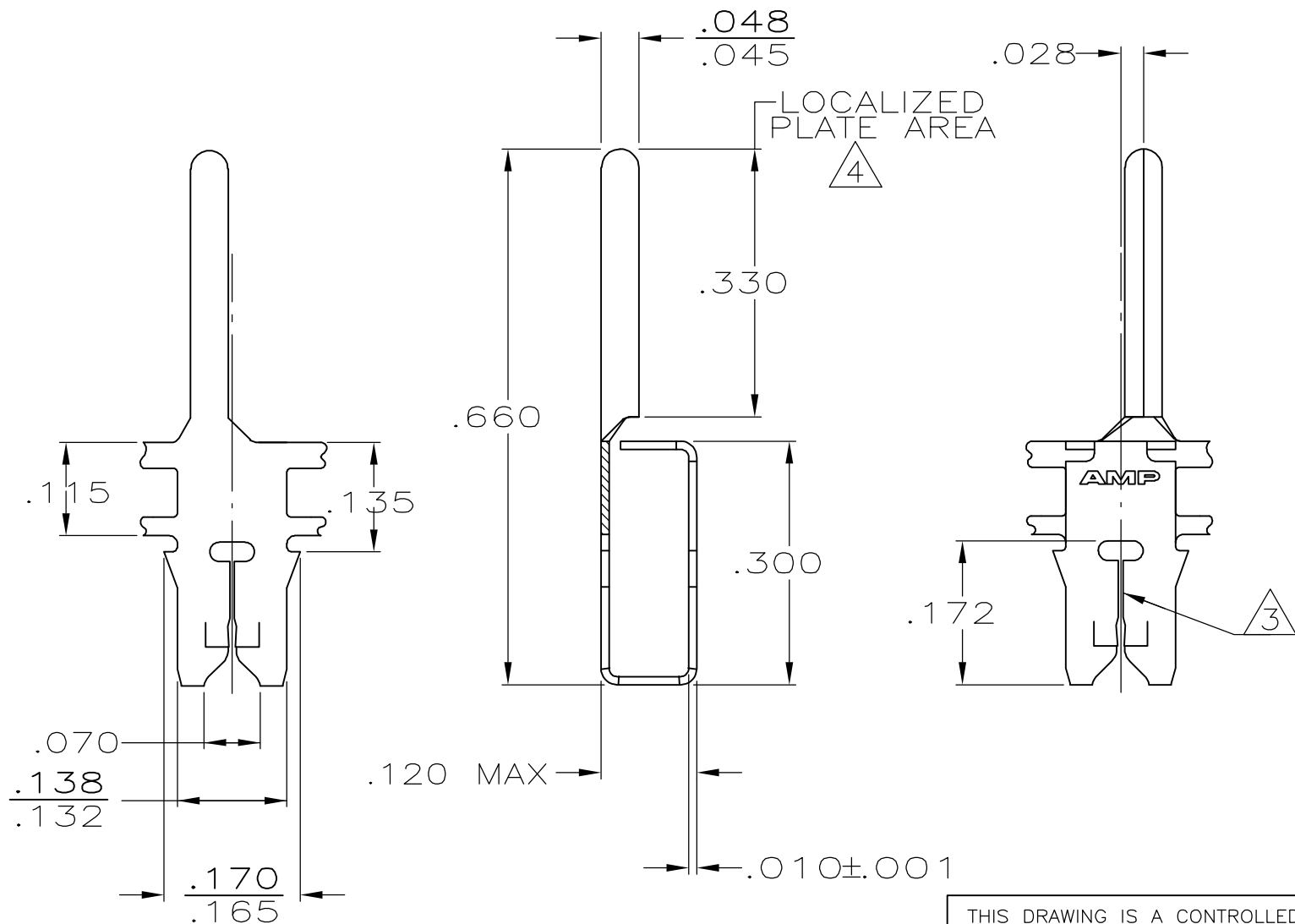
THIS DRAWING IS UNPUBLISHED. RELEASED FOR PUBLICATION  
© COPYRIGHT BY TYCO ELECTRONICS CORPORATION. ALL RIGHTS RESERVED.

LOC	DIST	REVISIONS			
P	LTR	DESCRIPTION	DATE	DWN	APVD
AF	50	E	REV PER ECR 05-010705	03NOV05	JR KR

IDENTIFICATION NUMBER 4 FOR  
MAGNET WIRE RANGE



- 1 MAG-MATE CAVITY SPECIFICATION.
- 2 CONTINUOUS STRIP ON REELS WITH TERMINALS LOCATED ON .220 CENTERS.
- 3 SLOT TERMINATES EITHER SINGLE OR DOUBLE MAGNET WIRES OF THE SAME TYPE AND SIZE, COPPER RANGE IS #33-#31 AWG.
- 4 .000080/.000250 TIN PLATE.



63443-1  
PART NO.

THIS DRAWING IS A CONTROLLED DOCUMENT.		DWN MS FEHER 10/25/88	Tyco Electronics Corporation Harrisburg, PA 17105-3608				
DIMENSIONS: INCHES		CHK JR RUTH 10/25/88					
TOLERANCES UNLESS OTHERWISE SPECIFIED:		APVD TL SHUTTER 10/25/88	NAME PIN, .048 DIA, MAG-MATE, ( RIGHT HAND )				
0 PLC ± - 1 PLC ± - 2 PLC ± - 3 PLC ± .006 4 PLC ± - ANGLES ± -		PRODUCT SPEC -	APPLICATION SPEC 114-2046 1				
MATERIAL H04 BRASS		FINISH - 4	WEIGHT -	SIZE A3	CAGE CODE 00779	DRAWING NO C-63443	RESTRICTED TO -
CUSTOMER DRAWING			SCALE 5:1	SHEET 1 OF 1	REV E		

单击下面可查看定价，库存，交付和生命周期等信息

[>>TE Connectivity\(泰科\)](#)