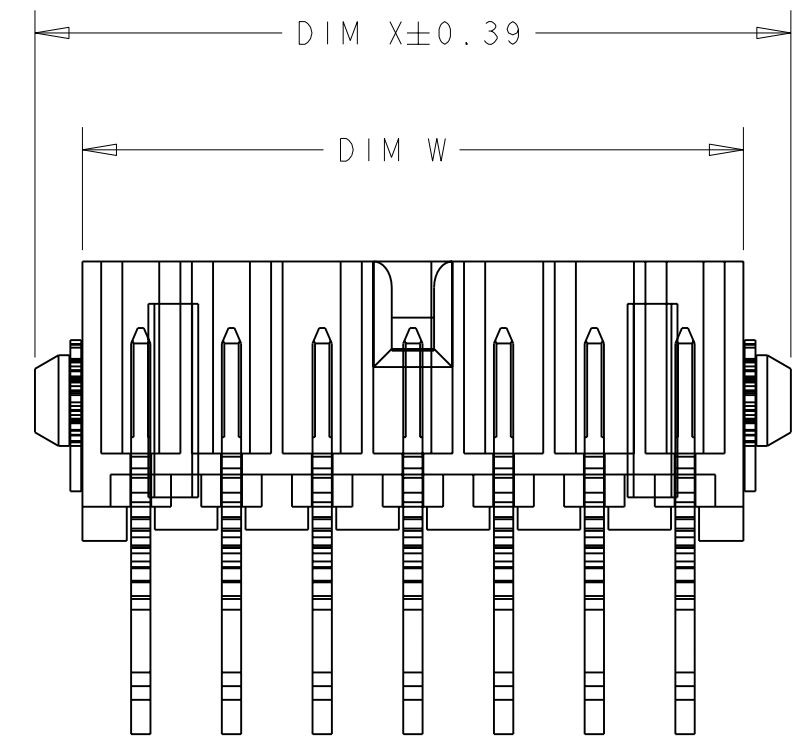
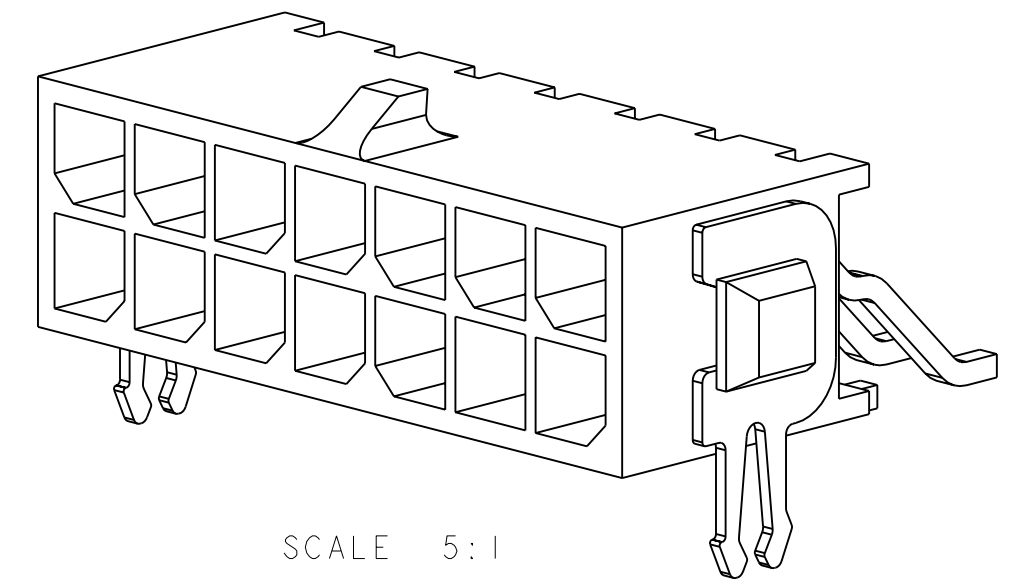
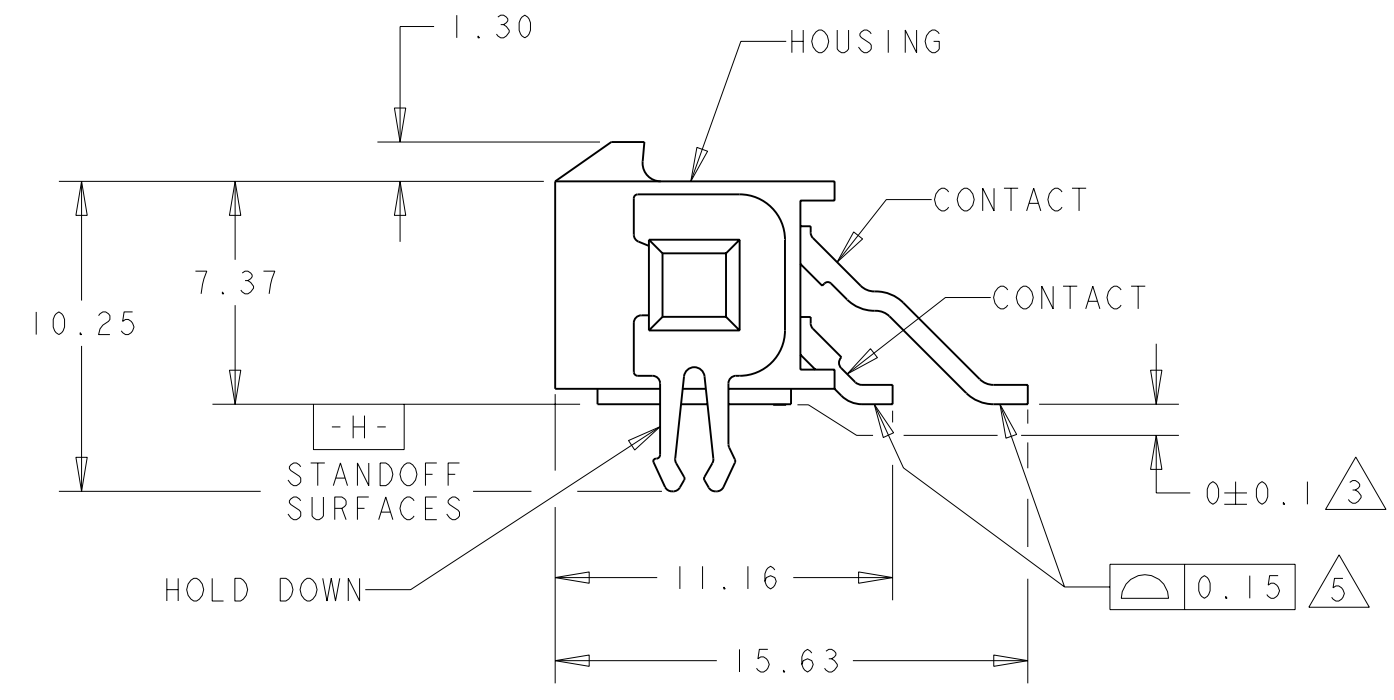
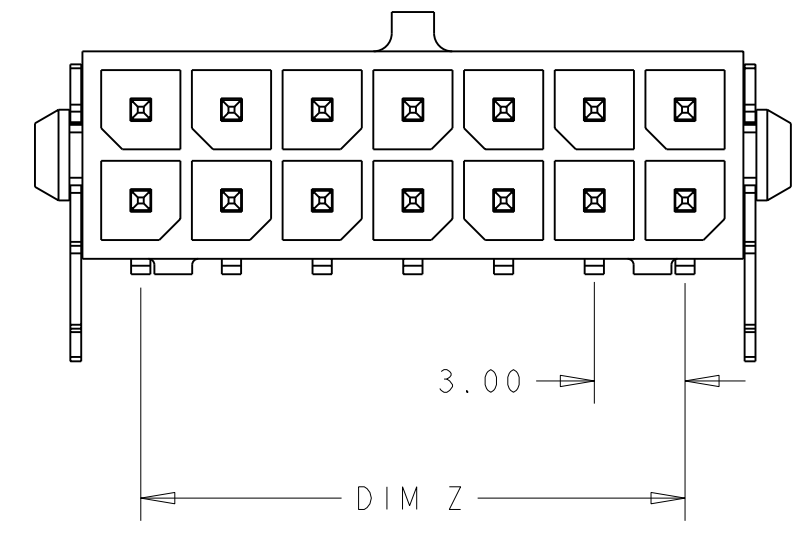
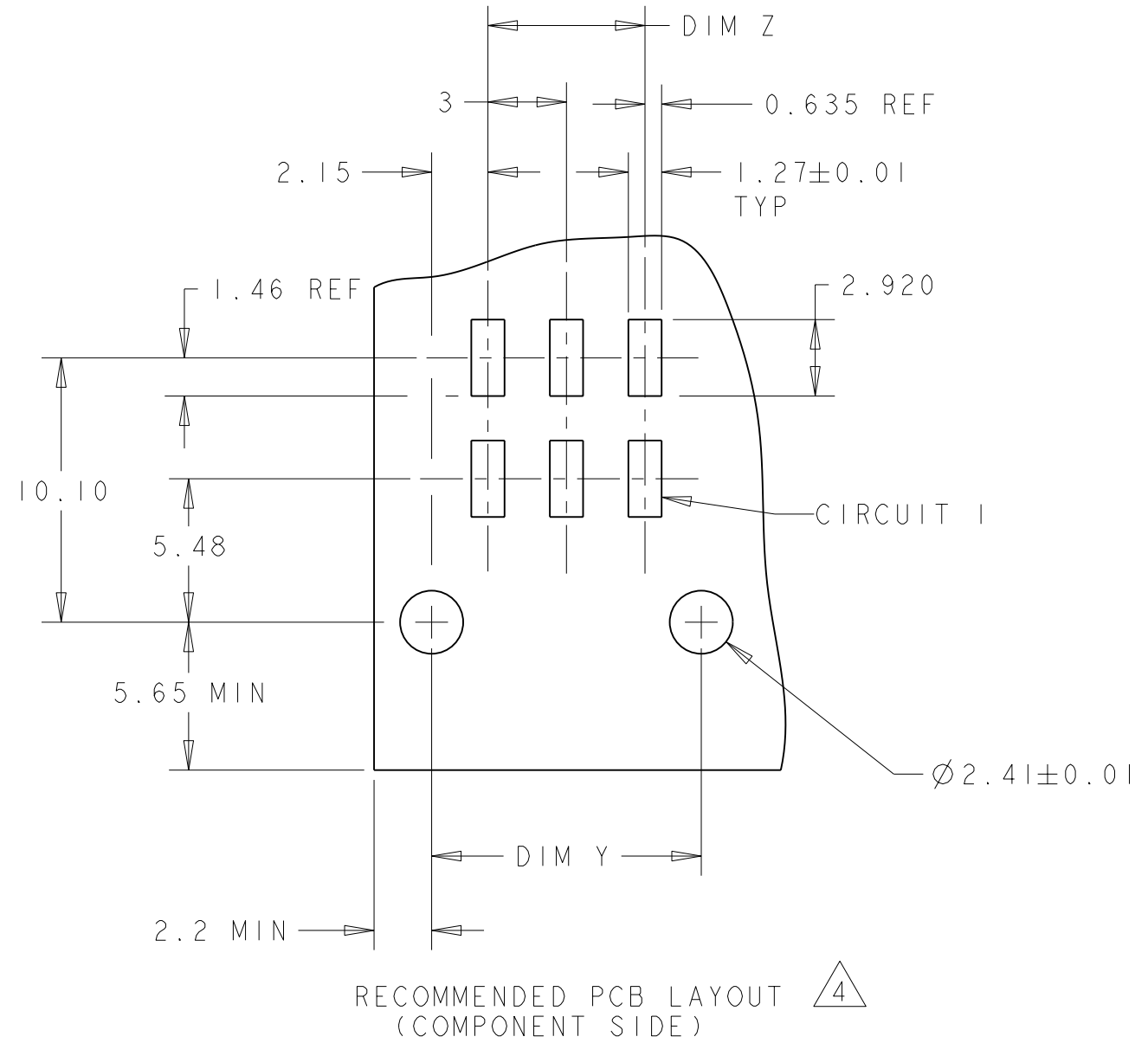


LOC		DIST		REVISIONS			
P	LTR	DESCRIPTION	DATE	DWN	APVD		
CM	00	F	REVISED PER 0G3B-0207-05	23-MAR-05	SH	CJ	

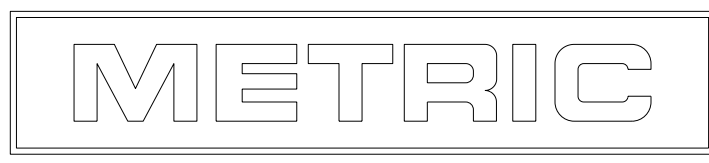


- 1 MATERIAL;
CONTACTS - BRASS.
HOUSING - UL 94V-0 RATED HIGH TEMP NYLON,
COLOR; BLACK.
HOLD DOWNS - PHOSPHOR BRONZE.
- 2 FINISH;
CONTACTS - 2.54µm MINIMUM TIN-LEAD OVER 1.27µm
MINIMUM NICKEL.
HOLD DOWNS - 2.54µm TIN LEAD.
- 3 DIMENSION APPLIES TO SOLDER TAIL SURFACES
AND STANDOFF SURFACES.
- 4 RECOMMENDED PC BOARD THICKNESS OF 1.57.
- 5 ALL SOLDER TAILS.
- 6 FINISH;
CONTACTS - 2.54µm MINIMUM MATTE TIN OVER 1.27µm
MINIMUM NICKEL.

6	36.86	37.30	33.00	40.00	24	5-794624-4
	33.86	34.30	30.00	37.00	22	5-794624-2
	30.86	31.30	27.00	34.00	20	5-794624-0
	27.86	28.30	24.00	31.00	18	4-794624-8
	24.86	25.30	21.00	28.00	16	4-794624-6
	21.86	22.30	18.00	25.00	14	4-794624-4
	18.86	19.30	15.00	22.00	12	4-794624-2
	15.86	16.30	12.00	19.00	10	4-794624-0
	12.86	13.30	9.00	16.00	8	3-794624-8
	9.86	10.30	6.00	13.00	6	3-794624-6
	6.86	7.30	3.00	10.00	4	3-794624-4
	3.86	4.30	-	7.00	2	3-794624-2
	36.86	37.30	33.00	40.00	24	2-794624-4
33.86	34.30	30.00	37.00	22	2-794624-2	
30.86	31.30	27.00	34.00	20	2-794624-0	
27.86	28.30	24.00	31.00	18	1-794624-8	
24.86	25.30	21.00	28.00	16	1-794624-6	
21.86	22.30	18.00	25.00	14	1-794624-4	
18.86	19.30	15.00	22.00	12	1-794624-2	
15.86	16.30	12.00	19.00	10	1-794624-0	
12.86	13.30	9.00	16.00	8	794624-8	
9.86	10.30	6.00	13.00	6	794624-6	
6.86	7.30	3.00	10.00	4	794624-4	
3.86	4.30	-	7.00	2	794624-2	
FINISH	DIM W	DIM Y	DIM Z	DIM X	NO. OF POSN.	ASSEMBLY



RECOMMENDED PCB LAYOUT (COMPONENT SIDE) 4



THIS DRAWING IS A CONTROLLED DOCUMENT FOR TYCO ELECTRONICS CORPORATION. IT IS SUBJECT TO CHANGE AND THE CONTROLLING ENGINEERING ORGANIZATION SHOULD BE CONTACTED FOR THE LATEST REVISION.

DIMENSIONS: mm	TOLERANCES UNLESS OTHERWISE SPECIFIED:	DWN S. HOOVER 23-MAR-2005	Tyco Electronics Harrisburg, PA 17105-3608
0 PLC ±	1 PLC ±	CHK C. JONES 23-MAR-2005	
2 PLC ±0.13	3 PLC ±	APVD C. JONES 23-MAR-2005	NAME SURFACE MOUNT, RIGHT ANGLE, MECH. HOLD DOWN, ASSEMBLY, TIN HEADER, DUAL ROW, MICRO MATE-N-LOK (TM)
4 PLC ±	ANGLES ±	PRODUCT SPEC	
MATERIAL 1	FINISH SEE TABLE	APPLICATION SPEC	SIZE A2
CUSTOMER DRAWING		WEIGHT	CAGE CODE 00779
		SCALE 4:1	DRAWING NO. C=794624
		SHEET 1 OF 1	RESTRICTED TO
		REV F	

单击下面可查看定价，库存，交付和生命周期等信息

[>>TE Connectivity\(泰科\)](#)