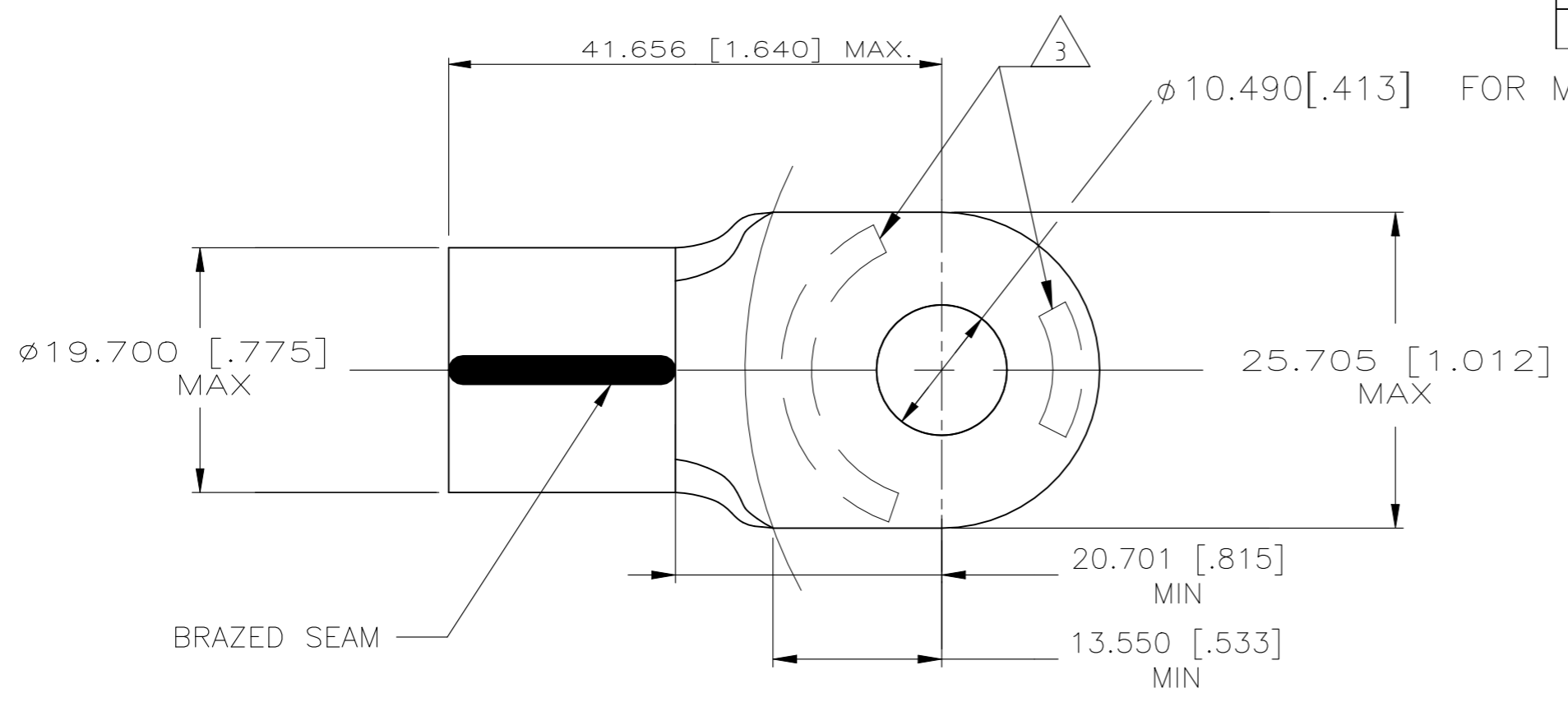
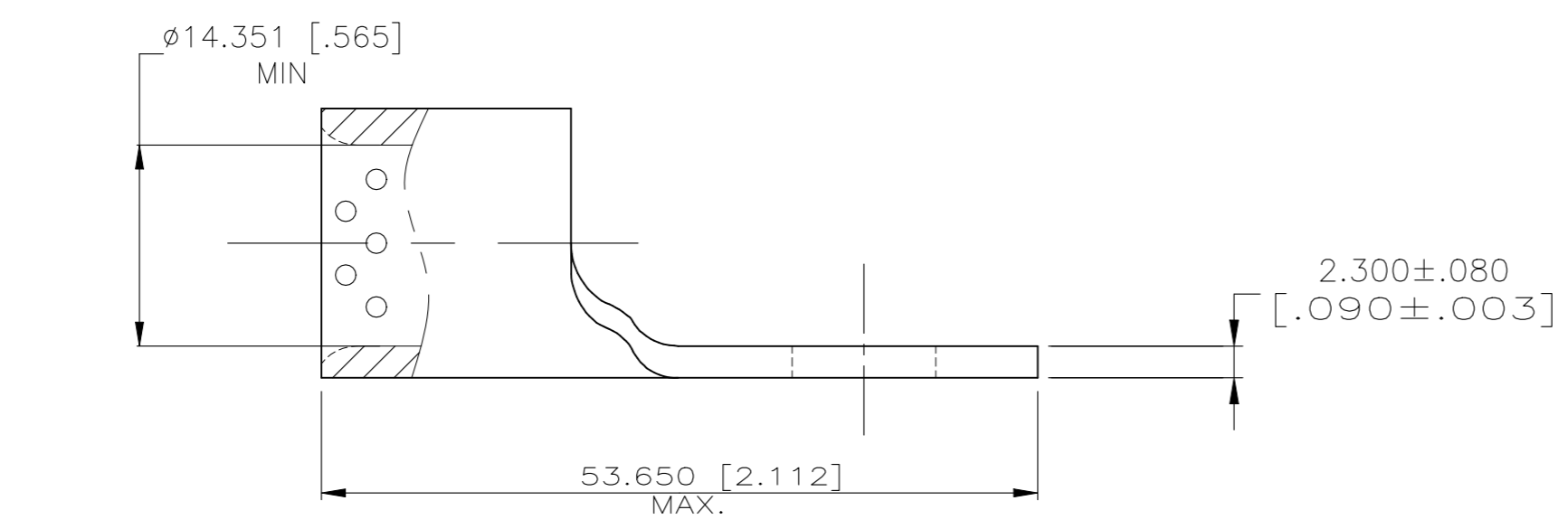


© - TE Connectivity. All Rights Reserved.

REVISIONS				
P	LTR	DESCRIPTION	DATE	APVD
A1		REVISED PER ECO-20-004274	07APR2020	SM DR



- 1 MATERIAL: COPPER PER ASTM B152
- 2 FINISH: NICKEL PLATE 0.00762[.000300] MIN EXT THK. PER SAE AMS QQ-N-290
- 3 STAMP: AMP 3/0*150 APPROX AS SHOWN



50	LOOSE PIECE	135536-1
QTY	PACKAGE TYPE	PART NUMBER

MAX. TEMP: 343°C [649°F]	THIS DRAWING IS A CONTROLLED DOCUMENT.		DWN J.DESPRETZ 08/04/91	TE Connectivity TERMINAL RING TONGUE STRATO-THERM, HEAT RESISTANT WIRE SIZE : 3/0 AWG.		
	VOLTAGE RATING: N/A	DIMENSIONS: mm [INCHES]	TOLERANCES UNLESS OTHERWISE SPECIFIED:			
CIRCULAR MIL AREA: 76.3-96.3 MM ² [150,500-190,000] SOLID OR STRAANDED	MATERIAL 1		0 PLC ± -	APVD	NAME	
			1 PLC ± -	PRODUCT SPEC		
			2 PLC ± -	APPLICATION SPEC	SIZE	
			3 PLC ± 0.127 [.005]	114-2162	CAGE CODE	
			4 PLC ± -	WEIGHT	DRAWING NO	
			ANGLES ± -	CUSTOMER DRAWING	A3 00779 C-135536	
			FINISH	SCALE	SHEET	
			2	2:1	1 OF 1	
				REV	A1	

单击下面可查看定价，库存，交付和生命周期等信息

[>>TE Connectivity\(泰科\)](#)