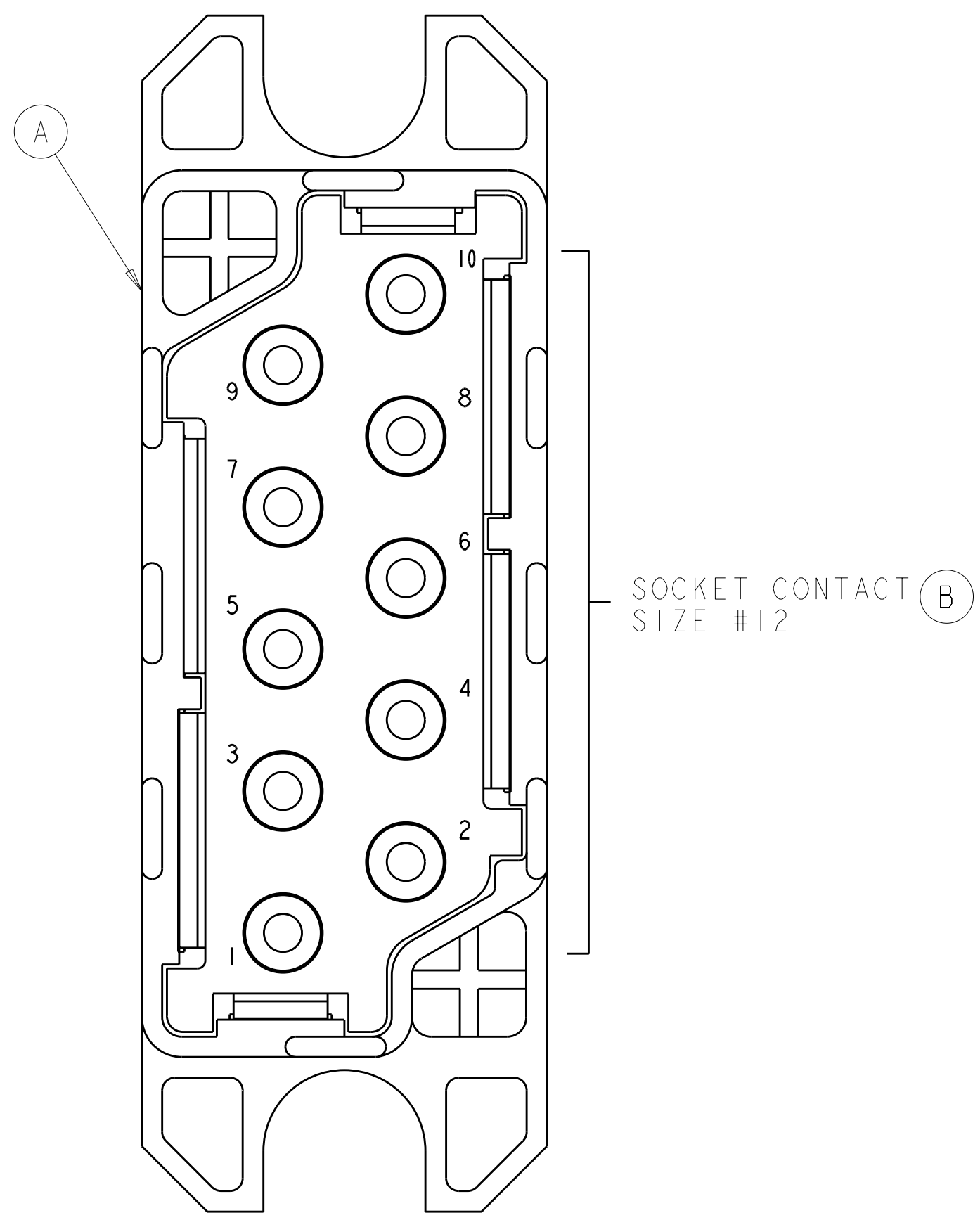
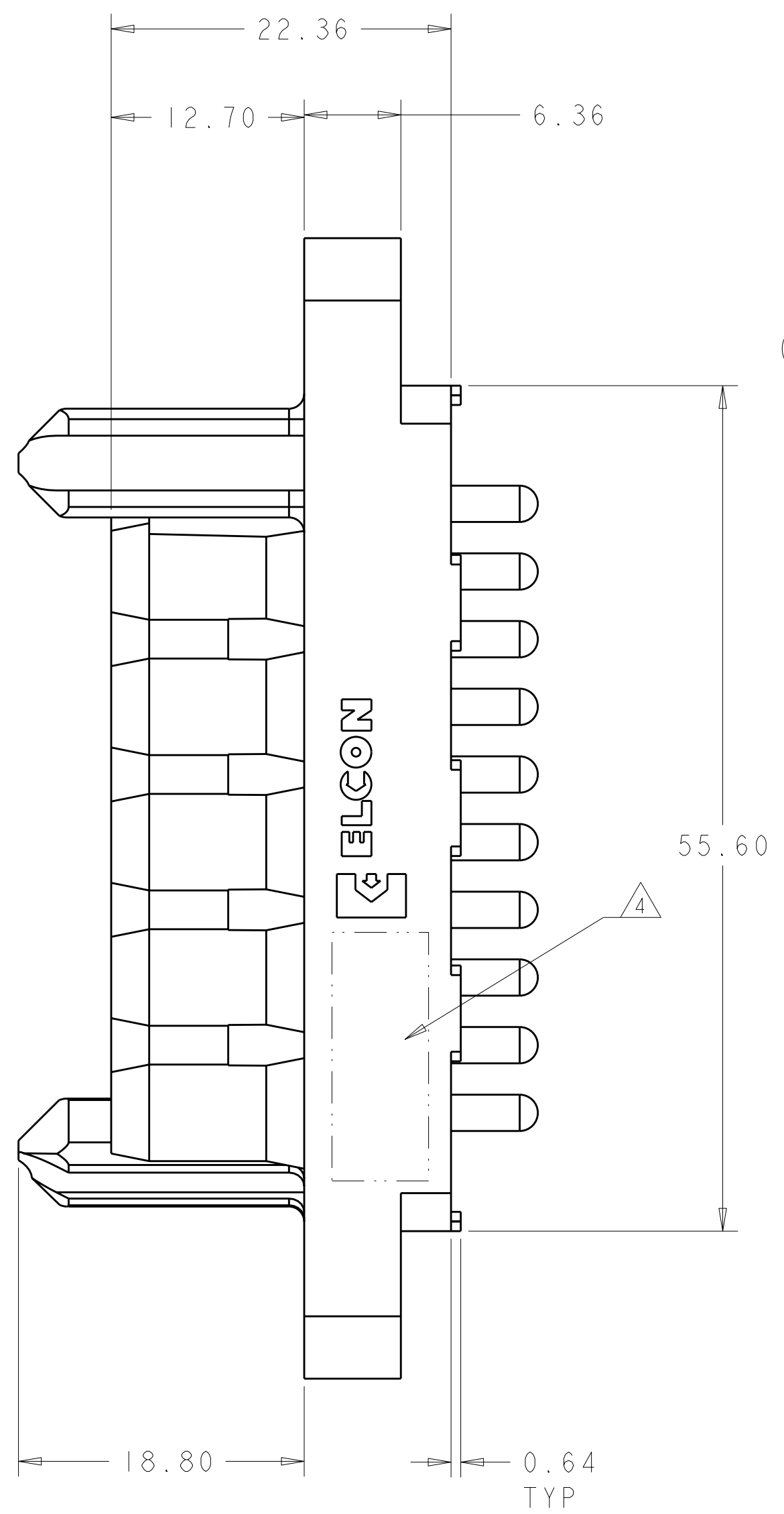
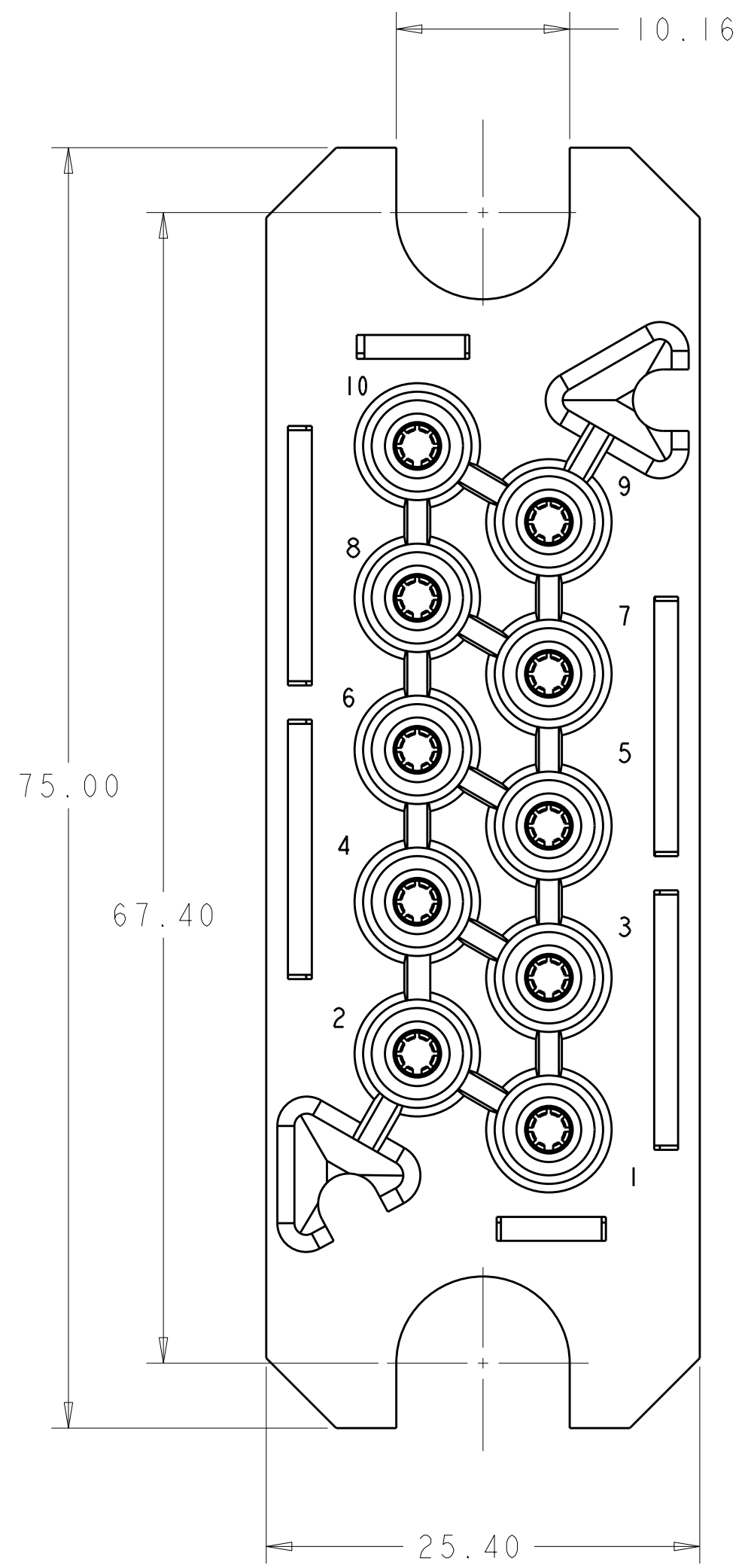


THIS DRAWING IS UNPUBLISHED. RELEASED FOR PUBLICATION 20
 © COPYRIGHT 20 BY TYCO ELECTRONICS CORPORATION. ALL RIGHTS RESERVED.

LOC		DIST		REVISIONS			
P	LTR	DESCRIPTION	DATE	DWN	APVD		
GP	00	A	RELEASED	08MAY2008	RG	DO	



REAR VIEW

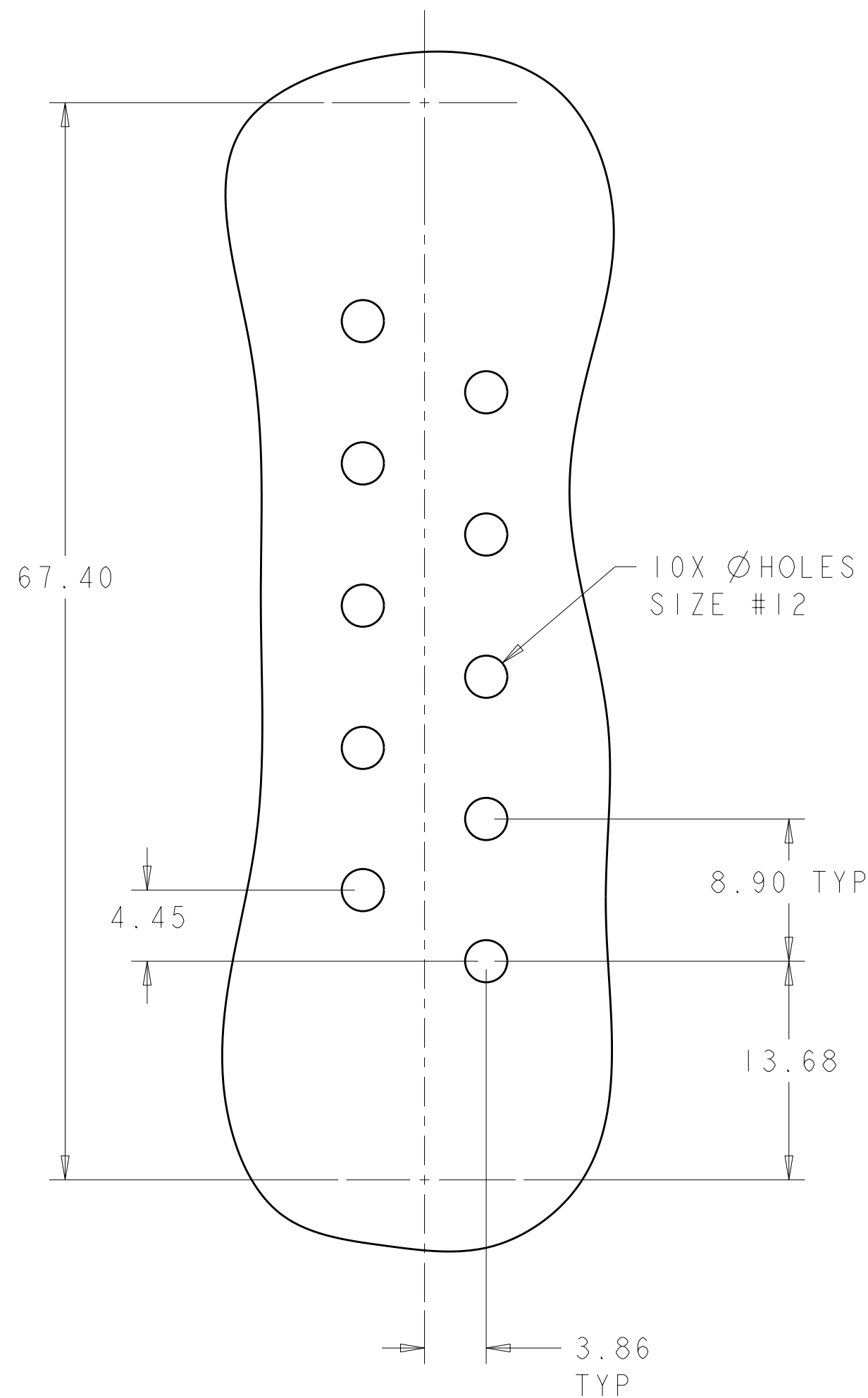
AS SHOWN	1926816-1
DESCRIPTION	PART NUMBER

<small>THIS DRAWING IS A CONTROLLED DOCUMENT FOR TYCO ELECTRONICS CORPORATION. IT IS SUBJECT TO CHANGE AND THE CONTROLLING ENGINEERING ORGANIZATION SHOULD BE CONTACTED FOR THE LATEST REVISION.</small>		DWN R. GRZYBOWSKI 17APR08 CHK D. ORRIS 17APR08 APVD S. FLICKINGER 17APR08		Tyco Electronics Harrisburg, PA 17105-3608	
DIMENSIONS: mm 		TOLERANCES UNLESS OTHERWISE SPECIFIED: 0 PLC ± 1 PLC ± 2 PLC ±.30 3 PLC ±.10 4 PLC ± ANGLES ±2 FINISH		NAME CONNCTOR ASSEMBLY SOCKET P1050 DRAWER	
MATERIAL -		PRODUCT SPEC - APPLICATION SPEC - WEIGHT -		SIZE A200779 CAGE CODE C-1926816 DRAWING NO 1926816-1 RESTRICTED TO -	
CUSTOMER DRAWING				SCALE 3:1 SHEET 1 OF 2 REV A	

ELCON P1050 DRAWER

THIS DRAWING IS UNPUBLISHED. RELEASED FOR PUBLICATION 20
 © COPYRIGHT 20 BY TYCO ELECTRONICS CORPORATION. ALL RIGHTS RESERVED.

LOC	DIST	REVISIONS			
P	LTR	DESCRIPTION	DATE	DWN	APVD
GP	00	-	SEE SHEET 1	-	-



SUGGESTED PC BOARD LAYOUT
 VIEW FROM CONNECTOR MOUNTING SIDE
 HOLE SIZE #12
 FINISHED HOLE: $\varnothing .104 \pm .003$
 DRILLED HOLE: $\varnothing .1065 \pm .0005$
 COPPER PLATE: .0010 MIN
 TIN PLATE: .0002 MIN THK.

- PART NUMBER CHANGES AND OR DESIGN CHANGES AFFECTING ITEM INTERCHANGEABILITY REQUIRE PRIOR TYCO ELECTRONICS APPROVAL AND AUTHORIZATION BY REVISION TO THIS DRAWING.
- MATERIAL:
 INSULATORS - THERMOPLASTIC, GLASS REINFORCED
 COLOR: BLACK, UL94V-0 FLAMMABILITY RATED.
 SOCKET CONTACTS - COPPER ALLOY
 RETENTION CLIPS: BERYLLIUM COPPER OR STAINLESS STEEL
 CROWN BAND: BERYLLIUM COPPER
- FINISH:
 CONTACT BODY - SILVER PLATE 5.08 μ m MIN. THK. OVER
 NICKEL 1.27 μ m MIN. THK.
 CROWN BAND - GOLD PLATE 0.76 μ m MIN THK. OVER
 NICKEL 1.02 μ m MIN. THK.

△ ITEMS PROVIDED TO THIS SPECIFICATION TO BE PERMANENTLY IDENTIFIED PER THE FOLLOWING IDENTIFIER LABEL

YEAR 11 WEEK 11

TYCO ELECTRONICS P/N DATE CODE (e.g. 0106)

XXXXXXXX-X XXXX

△ SOLDER TAIL CONTACTS (ITEM B) ARE INSERTABLE/ NON-REMOVABLE.

△ 10	6648374-1	CONTACT, SOCKET #12, PCB TAIL	B
1	1648596-2	SOCKET, CONNECTOR ASSY	A
-1	PART NUMBER	DESCRIPTION	ITEM NO.

<small>THIS DRAWING IS A CONTROLLED DOCUMENT FOR TYCO ELECTRONICS CORPORATION. IT IS SUBJECT TO CHANGE AND THE CONTROLLING ENGINEERING ORGANIZATION SHOULD BE CONTACTED FOR THE LATEST REVISION.</small>		DWN R. GRZYBOWSKI 17APR08	Tyco Electronics Harrisburg, PA 17105-3608	
DIMENSIONS: mm		CHK D. ORRIS 17APR08	NAME CONNECTOR ASSEMBLY SOCKET P1050 DRAWER	
TOLERANCES UNLESS OTHERWISE SPECIFIED: 0 PLC ±- 1 PLC ±- 2 PLC ±.30 3 PLC ±.10 4 PLC ±- ANGLES ±2 FINISH		APVD S. FLICKINGER 17APR08	PRODUCT SPEC -	APPLICATION SPEC -
MATERIAL		WEIGHT	SIZE A200779	CAGE CODE C-1926816
-		-	DRAWING NO 1926816	
CUSTOMER DRAWING		SCALE 3:1	SHEET 2 OF 2	REV A

ELCON P1050 DRAWER

单击下面可查看定价，库存，交付和生命周期等信息

[>>TE Connectivity\(泰科\)](#)