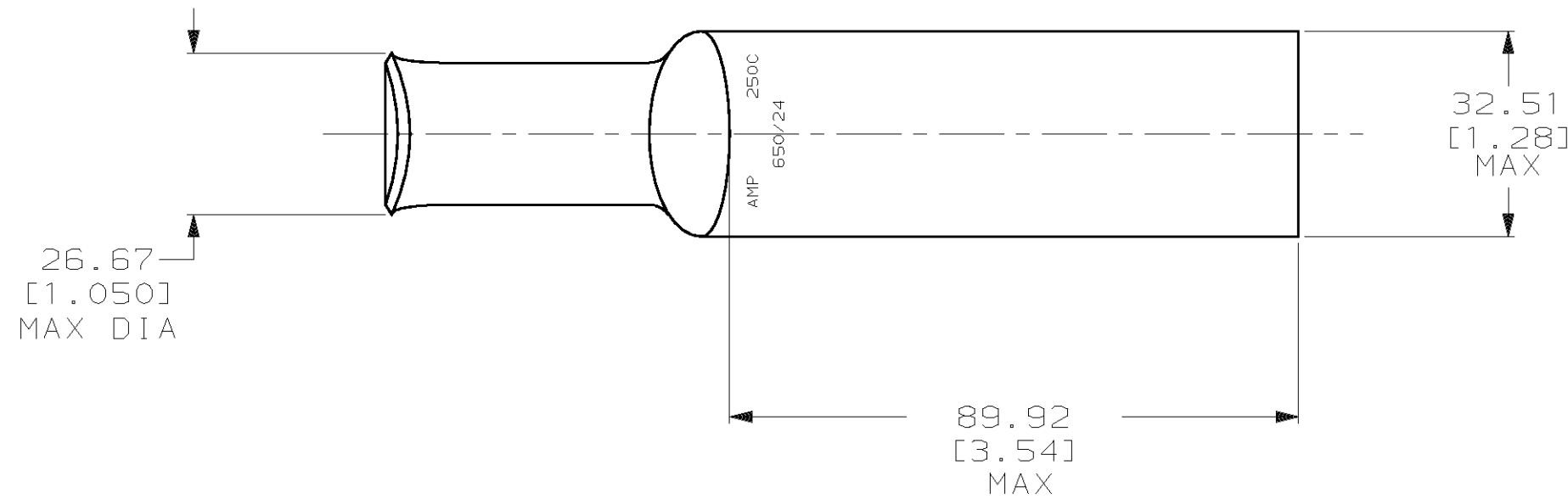
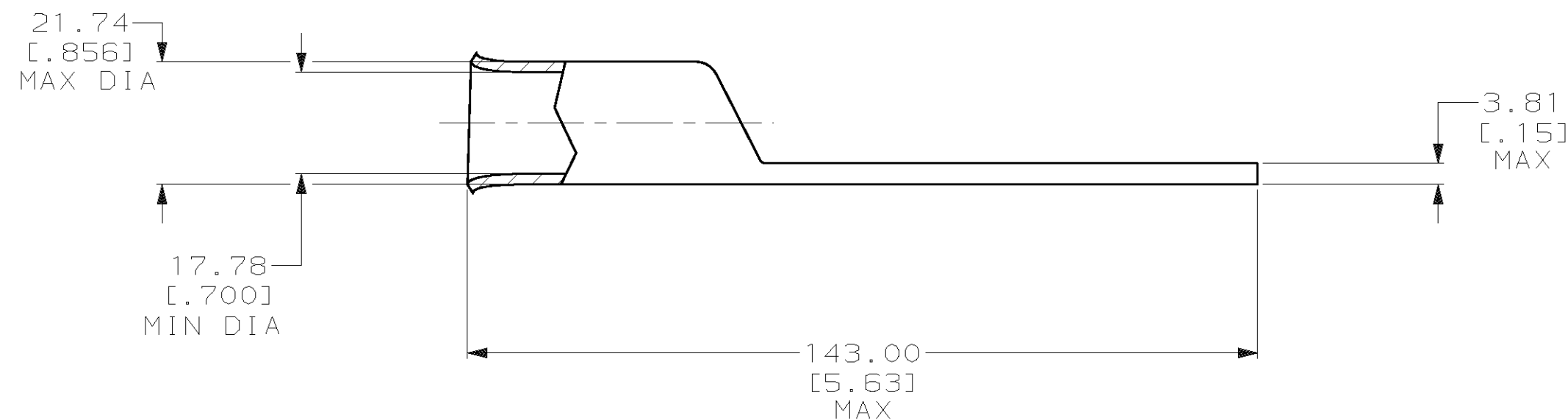


THIS DRAWING IS UNPUBLISHED. RELEASED FOR PUBLICATION
 © COPYRIGHT 19 BY AMP INCORPORATED. ALL INTERNATIONAL RIGHTS RESERVED.

| LOC | | DIST | | P | | F | | ZONE | | LTR | | REVISIONS | | DATE | APPD |
|-----|--|------|--|---|--|---|--|------|--|-----|--|------------------------|--|---------|-------|
| G | | 86 | | | | | | | | | | D REV PER 0G3A-0561-01 | | 080CT02 | JR/MS |



1 CIRCULAR MIL RANGE: 231-275 MCM
 2 TIN PL 0.00381 [0.00150] MIN THK PER MIL-T-10727



325719

325719
 PART NO

| | | | | | |
|---|--|-----------------------------|--|---|--|
| DO NOT SCALE PRINT. UNLESS SPECIFIED DIMENSIONS IN mm [INCHES] TOLERANCES ON : 2 PLC DEC ± 0.51 [0.020] 3 PLC DEC ± - ANGLES ± - | | DR 03/09/90 DK SCHRUM | | AMP INCORPORATED Harrisburg, Pa. 17105 | |
| MATERIAL ANNEALED COPPER ASTM B-75 | | CHK 20JAN95 MS FEHER | | | |
| FINISH | | APPD 20JAN95 WJ VOCKROTH | | NAME TERMINAL, AMPPOWER™ WIRE SIZE: 250 MCM | |
| APPLICATION SPEC - | | APPD 20JAN95 TL SHUTTER | | PRODUCT SPEC 108-30200 | |
| WEIGHT .289 LB | | SCALE 1:1 | | CAGE CODE 00779 | |
| | | | | DRAWING NO 325719 | |
| | | | | SHEET 1 OF 1 | |



单击下面可查看定价，库存，交付和生命周期等信息

[>>TE Connectivity\(泰科\)](#)