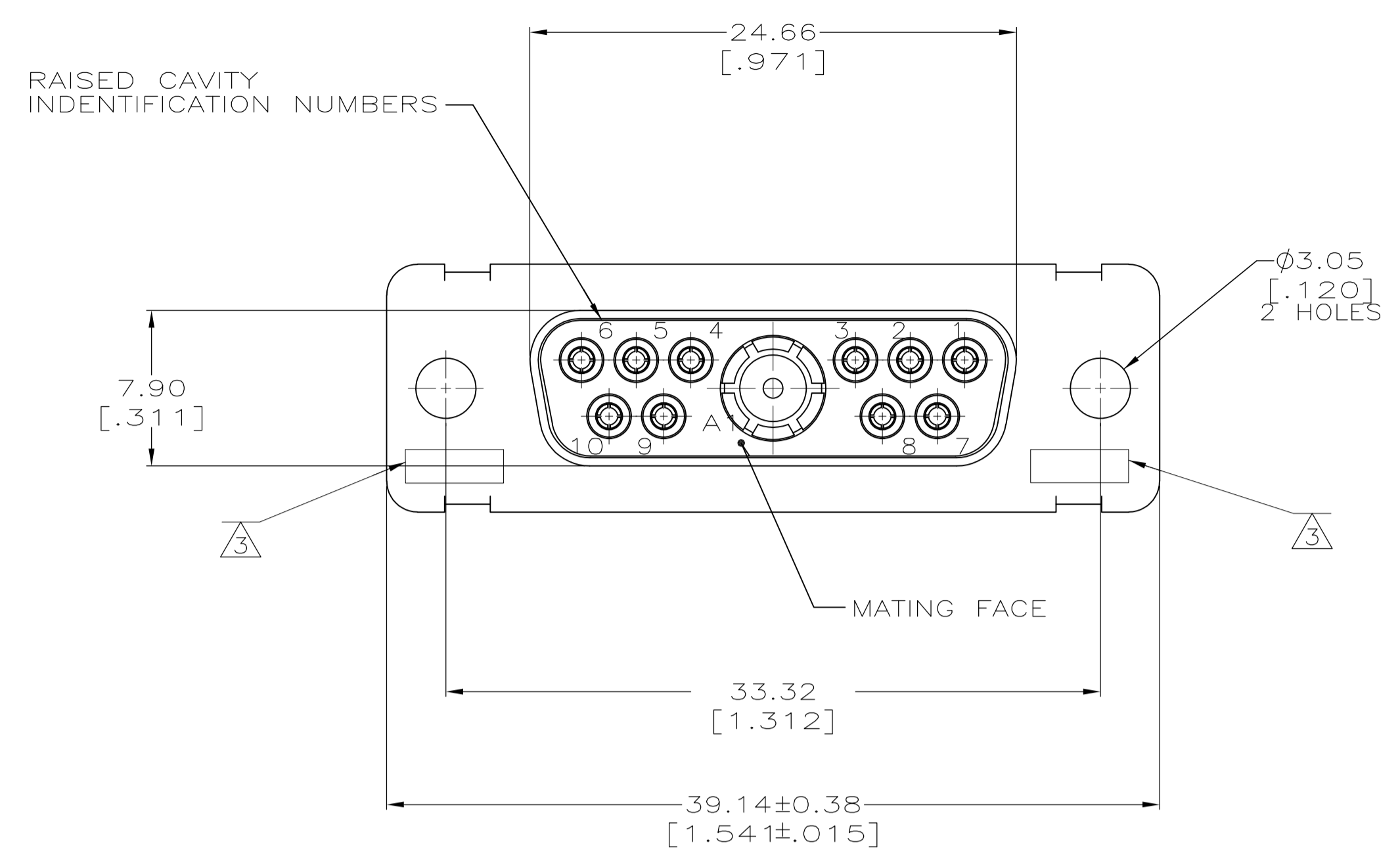
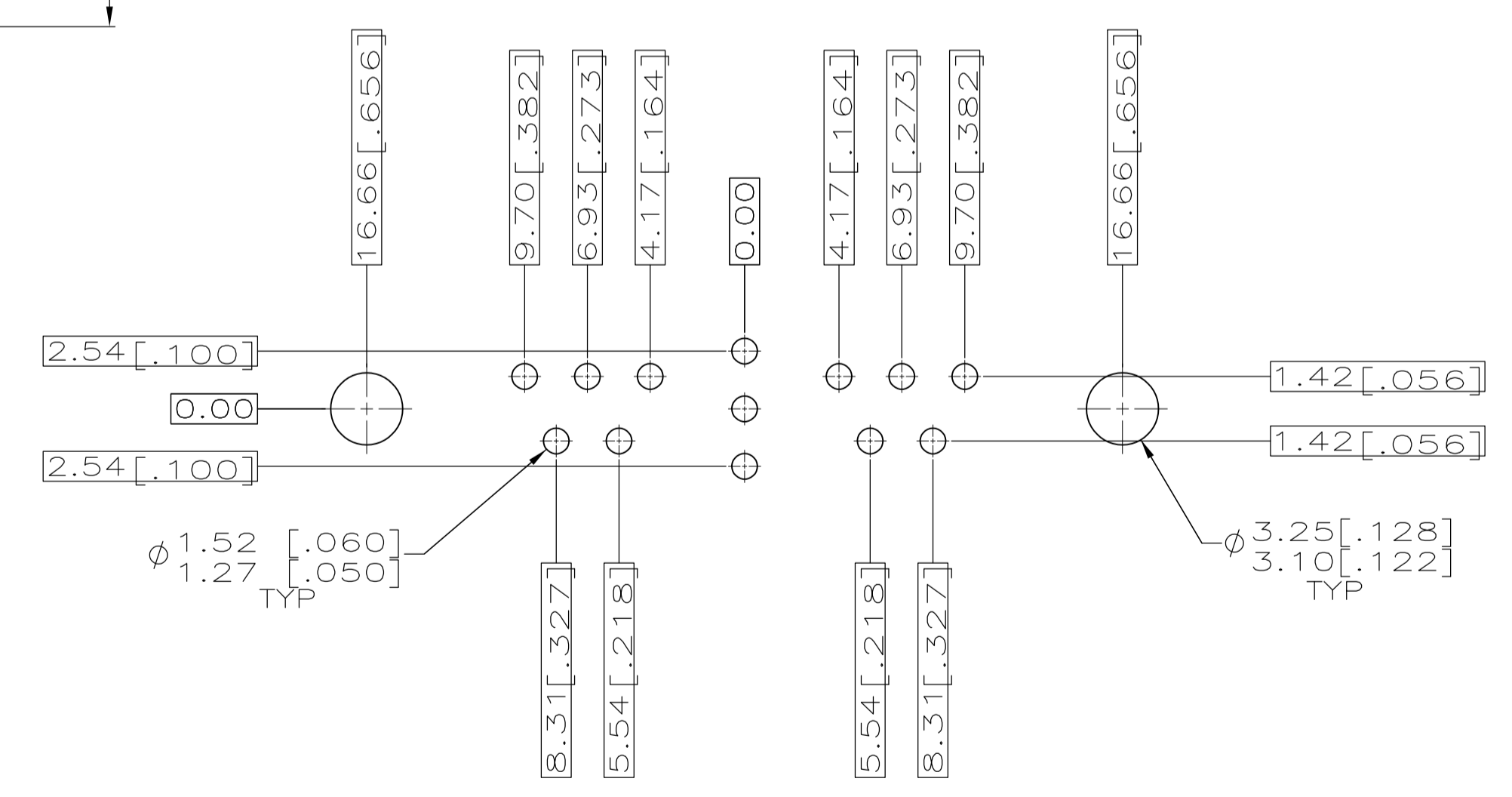
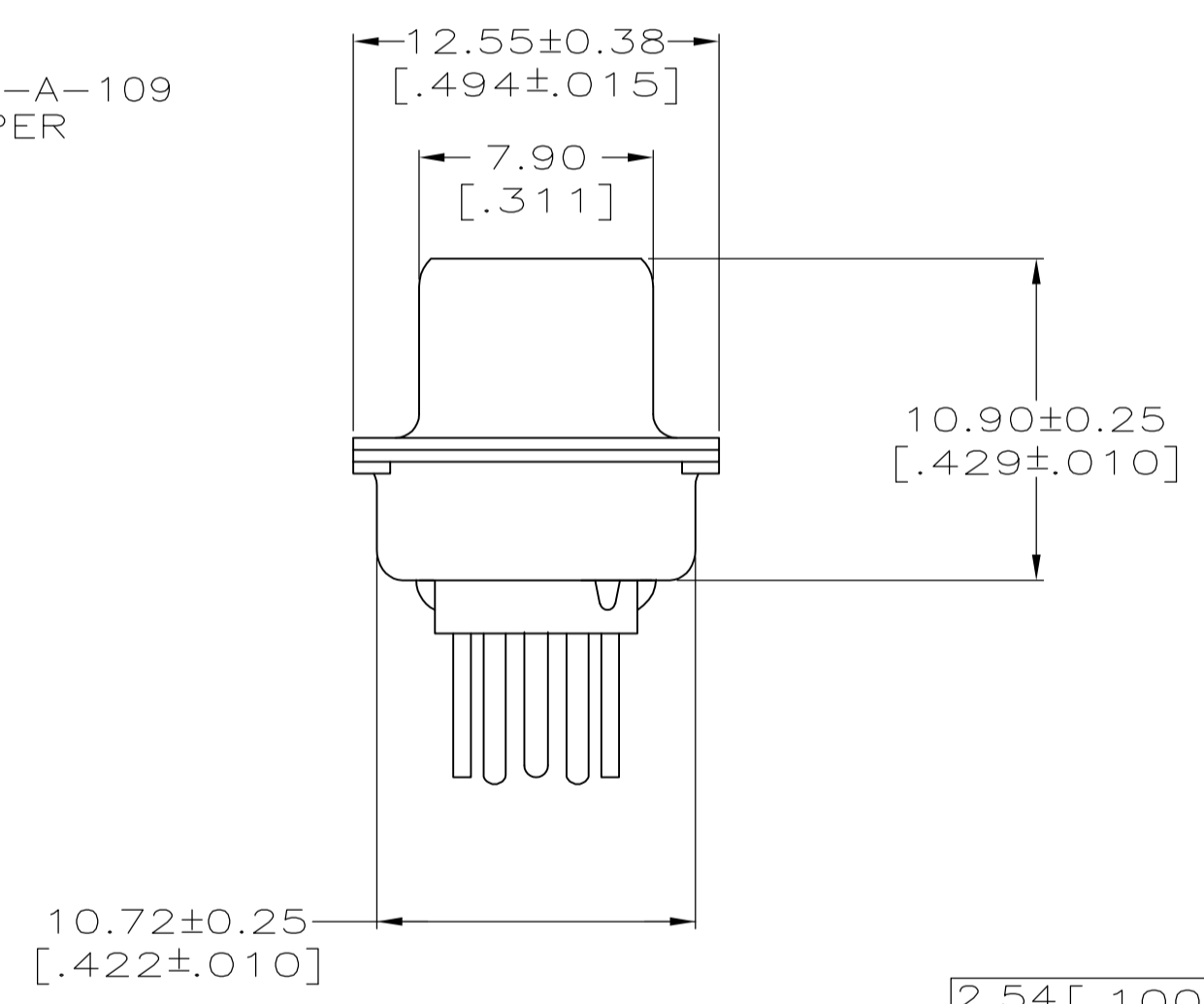
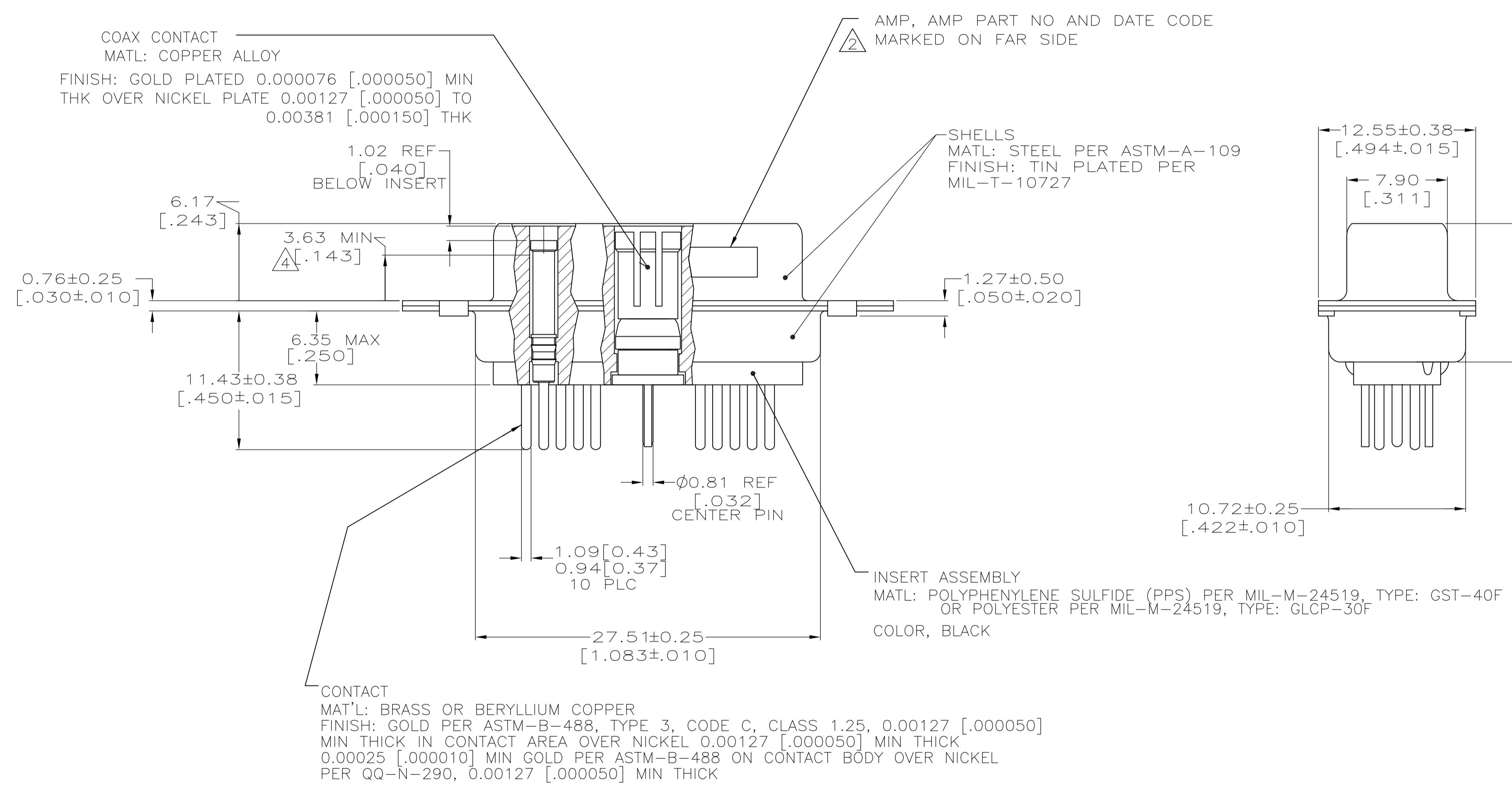


REVISONS		DATE	DMN	APVD
LOC	DIST	DESCRIPTION		
E	REV PER ECO-15-005862		KG	CD



- THE CONNECTORS DESCRIBED IN THIS DOCUMENT SHALL BE CAPABLE OF MEETING THE REQUIREMENTS OF 108-1770-1 AND MATE WITH ANY APPLICABLE PLUG CONNECTOR WITH SAME INSERT ARRANGEMENT.
- MARKED WITH 1.19[.047]-1.57[.062] HIGH CHARACTERS. FAR SIDE REFERS TO THE WIDE SIDE OF THE KEYSTONE. NEAR SIDE REFERS TO THE NARROW SIDE OF THE KEYSTONE. IF THE FRONT SHELL IS TOO SMALL FOR "AMP", AMP PART NUMBER AND DATE CODE, THEN SPLIT AS FOLLOWS:
  - AMP PART NUMBER ON REAR SHELL, FAR SIDE.
  - "AMP" AND DATE CODE ON FRONT SHELL, FAR SIDE.
- UL/CSA DESIGNATION STAMPED IN THIS AREA, OPTIONAL. (NOT ATTACHED TO THE CONNECTOR).
- POINT OF ELECTRICAL ENGAGEMENT AS MEASURED WITH A 0.991[.0390]-0.998 [.0393] DIA SQUARE ENDED TEST PIN.
- COAX CENTER CONDUCTOR PIN DIAMETER: .040 [1.02].



RECOMMENDED P.C. BOARD LAYOUT SHELL SIZE 2 (11C1 POSITION)

1218764-1  
PART NUMBER

THIS DRAWING IS A CONTROLLED DOCUMENT.		DMN C.C.THOMAS 6-28-00	STE TE Connectivity	
DIMENSIONS: mm [INCHES]		CHK D.MILLER 9-17-00	NAME D.MILLER 9-17-00	
TOLERANCES UNLESS OTHERWISE SPECIFIED:		APPLICATION SPEC		
0 PLC ± -		SIZE A1		
1 PLC ± -		CAGE CODE 00779		
2 PLC ± 0.3 [.01]		DRAWING NO 1218764		
3 PLC ± 0.13 [.005]		RESTRICTED TO		
4 PLC ± -		CUSTOMER DRAWING		
ANGLES ± -		SCALE 4:1		
MATERIAL SEE CALLOUTS		SHEET 1 OF 1		
FINISH SEE CALLOUTS		REV E		

单击下面可查看定价，库存，交付和生命周期等信息

[>>TE Connectivity\(泰科\)](#)