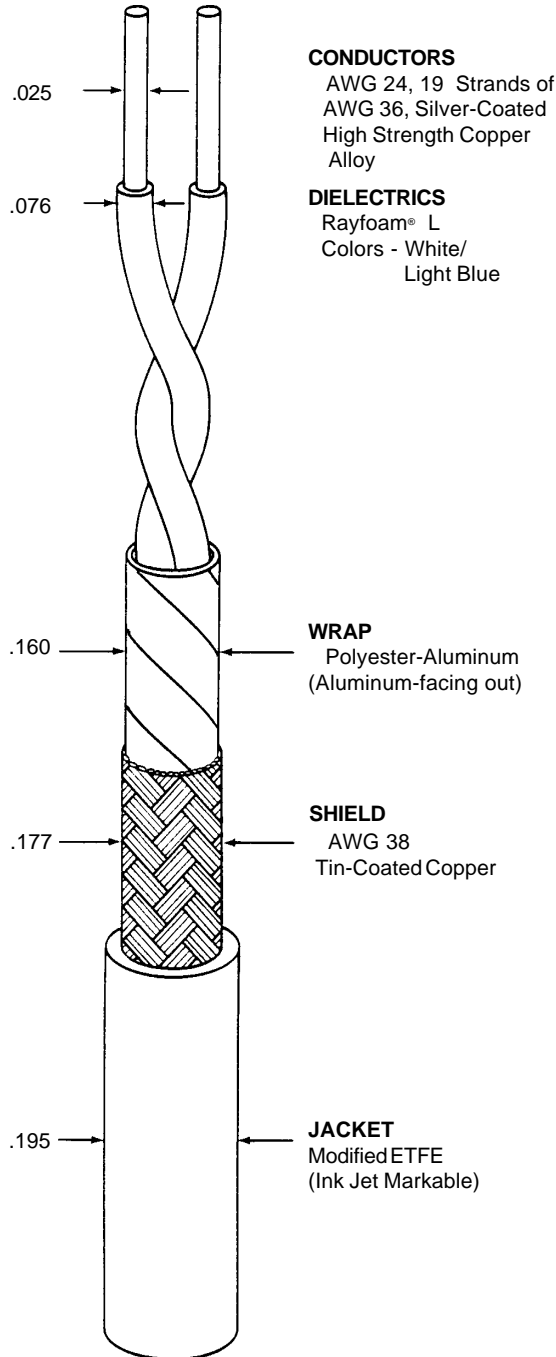


THIS SPECIFICATION SHEET FORMS A PART OF THE LATEST ISSUE OF RAYCHEM SPECIFICATION 1200.

**CONSTRUCTION DETAILS**

**ELECTRICAL CHARACTERISTICS**

DIMENSIONS ARE NOMINAL VALUES IN INCHES UNLESS OTHERWISE DESIGNATED.



**CONDUCTORS**  
AWG 24, 19 Strands of  
AWG 36, Silver-Coated  
High Strength Copper  
Alloy

**DIELECTRICS**  
Rayfoam® L  
Colors - White/  
Light Blue

**WRAP**  
Polyester-Aluminum  
(Aluminum-facing out)

**SHIELD**  
AWG 38  
Tin-Coated Copper

**JACKET**  
Modified ETFE  
(Ink Jet Markable)

CHARACTERISTIC IMPEDANCE	125 ± 10 ohms, Method D at 10 MHz
CAPACITANCE - MUTUAL	11.0 pF/ft. (nominal)
VELOCITY OF PROPAGATION	78% (nominal)
ATTENUATION	2.0 dB/100ft (nominal) @ 10MHz

**ADDITIONAL REQUIREMENTS**

**ELECTRICAL**

CONDUCTOR RESISTANCE	26.5ohms/1000ft. (nominal)
INSULATION RESISTANCE	10,000megohms (minimum) for 1000ft.
JACKET FLAWS	
SPARK TEST	1.0 kV (rms)
IMPULSE TEST	6.0kV, (peak)
VOLTAGE WITHSTAND (DIELECTRIC)	1000volts(rms)(minimum)

**ENVIRONMENTAL**

FLAMMABILITY	Method B
HEAT SHOCK	225°C
LOW TEMPERATURE- COLD BEND	-55°C/5.50inch mandrel
VOLTAGE WITHSTAND (POST ENVIRONMENTAL)	1000volts (rms), 1 minute

**PHYSICAL**

INSULATION (DIELECTRIC) (Prior to Cabling)	
ELONGATION	50% (minimum)
TENSILE STRENGTH	1000 lbf/in <sup>2</sup> (minimum)
JACKET	
ELONGATION	150% (minimum)
TENSILE STRENGTH	5000 lbf/in <sup>2</sup> (minimum)
JACKET THICKNESS	.009 inch (nominal)
SHIELD COVERAGE	95% (nominal)
WRAP	.002 25% overlap (minimum)

WEIGHT	21.0 lbs/1000 ft. (nominal)
--------	-----------------------------

Outer jacket will be white (designated by a "-9" appended to the part number, e.g., 2524G0514-9) unless otherwise specified.

Designate outer jacket color with a dash number in accordance with MIL-STD-681. Other codes and suffixes may be added to the part number, as necessary, to capture any additional requirements imposed by the purchase order.

*Users should evaluate the suitability of this product for their application. Specifications are subject to change without notice.*

*Tyco Electronics also reserves the right to make changes in materials or processing, which do not affect compliance with any specification, without notification to Buyer.*

单击下面可查看定价，库存，交付和生命周期等信息

[>>TE Connectivity\(泰科\)](#)