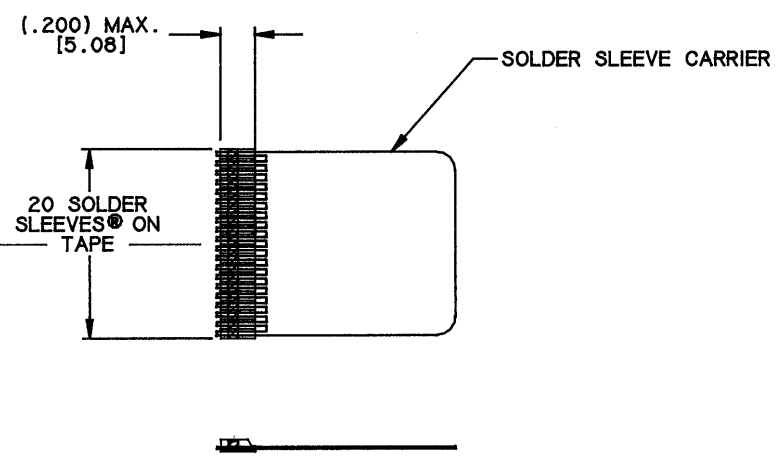
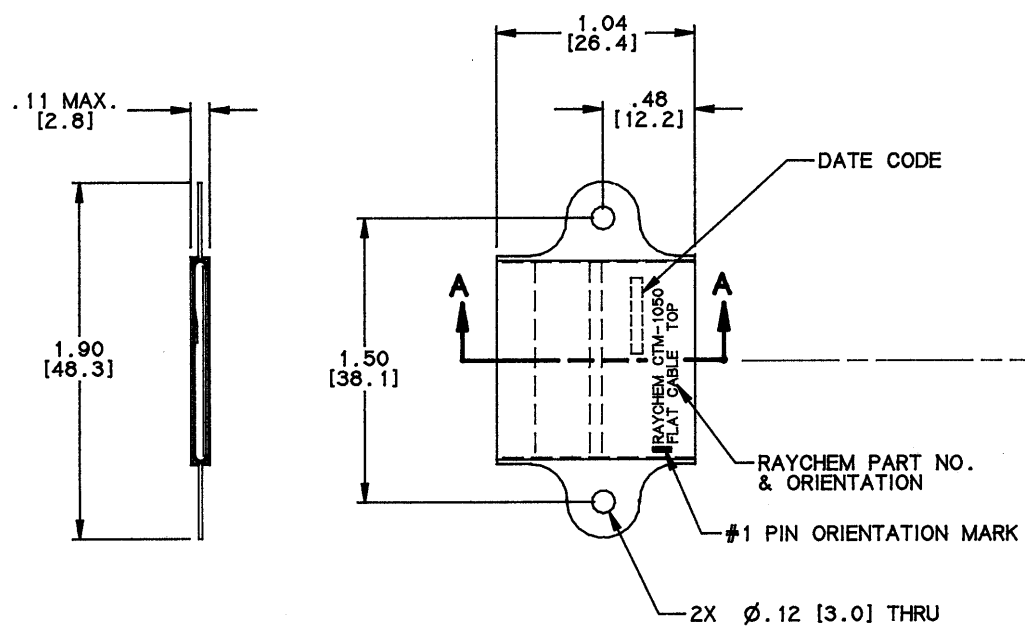


REVISIONS			
LTR	DESCRIPTION	DATE	APPROVED
N/C	INITIAL RELEASE PER ECN T-15778	91FEB19	AN
A	REVISED PER ECN T-16116	4-24-91	AN

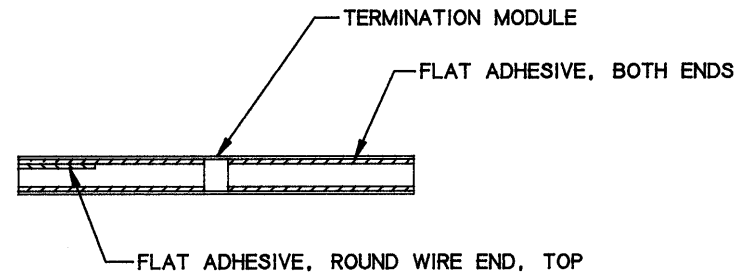


NOTES: UNLESS OTHERWISE SPECIFIED

- MATERIAL:
  - A) TERMINATION MODULE: TRANSPARENT BLUE HEAT SHRINKABLE, RADIATION CROSS-LINKED PVF<sub>2</sub>
  - B) FLAT ADHESIVE: MODIFIED THERMOPLASTIC HOT MELT SEALANT.
  - C) SOLDER SLEEVES®: TRANSPARENT BLUE HEAT SHRINKABLE, RADIATION CROSS-LINKED PVF<sub>2</sub> (SEE RAYCHEM DRAWING NO. D-141-0226)  
SOLDER Sn96Ag04 WITH RMA FLUX PER QQ-S-571.
- USABLE WIRE SIZE: ROUND WIRE: 24 AWG, FLAT CONDUCTOR CABLE: 28 GA.
- DIELECTRIC WITHSTANDING VOLTAGE:

TEXT CONDITION	TEXT VOLTAGE VAC RMS AT 60HZ
SEA LEVEL	750
ALTITUDE 70,000 FT (33.5) TORR) AMBIENT TEMP	500
ALTITUDE 80,000 FT (20.6 TORR) -50°C TEMP	375

4. CURRENT RATING: 1.5 AMPS PER CONDUCTOR.



**SECTION A-A**  
SCALE: 4X

If this document is printed it becomes uncontrolled.  
Check with the web for latest revision.

**SPECIFICATION CONTROL DRAWING** © Raychem Corporation 1988

UNLESS OTHERWISE SPECIFIED DIMENSIONS ARE IN INCHES. METRIC DIMENSIONS ARE IN BRACKETS.  DECIMALS .XXX ± .005 [.13 mm] .XX ± .03 [.8 mm] ANGLES .X ± WEIGHT lbs [ g]	DRAWN	MGHOBSON	91JAN18	<b>Raychem</b> <small>RAYCHEM CORPORATION 300 CONSTITUTION DRIVE MENLO PARK, CALIFORNIA 94025</small>
	CHECKED	AN	91FEB19	
	APPROVED	EAC	91FEB19	
	APPROVED			
CAD NAME 007950-1				<b>TITLE CABLE TRANSITION MODULE (CTM). FLAT-TO-ROUND TERMINATION, 20 CONDUCTOR, 1 IN. W/EARS, .050 PITCH, ENVIRONMENT RESISTANT. 125° MAX OPERATING TEMPERATURE</b>
THRO ANGLE PROJECTION			SIZE <b>C</b> CODE IDENT. NO. <b>06090</b> DWG. NO. <b>CTM-1050</b> REV <b>A</b>	
DO NOT SCALE THIS DRAWING				SHEET 1 OF 1

单击下面可查看定价，库存，交付和生命周期等信息

[>>TE Connectivity\(泰科\)](#)