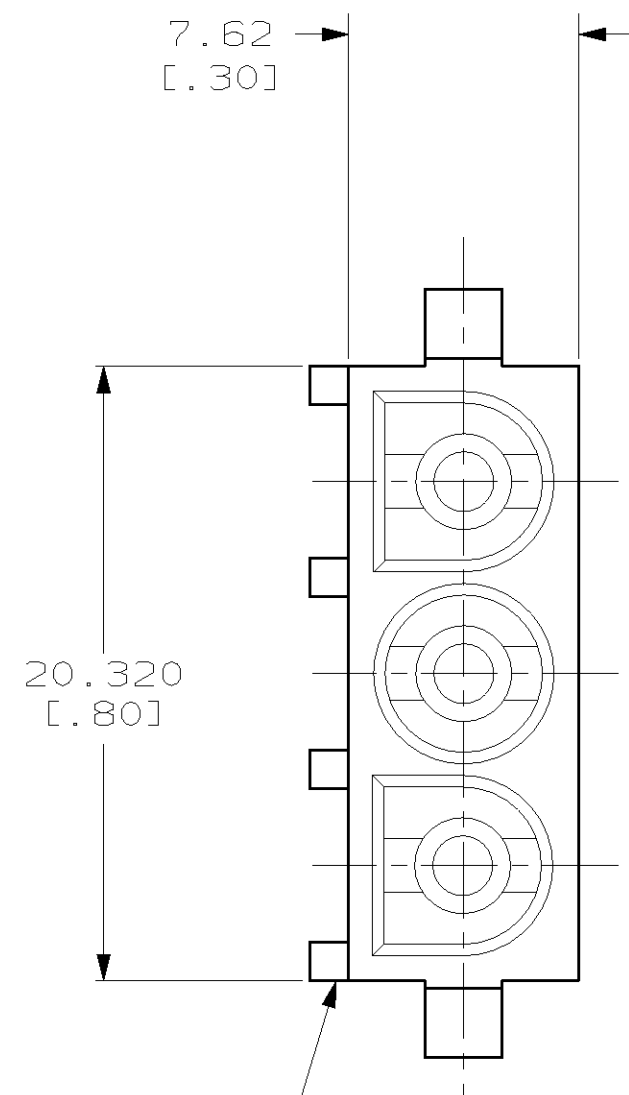


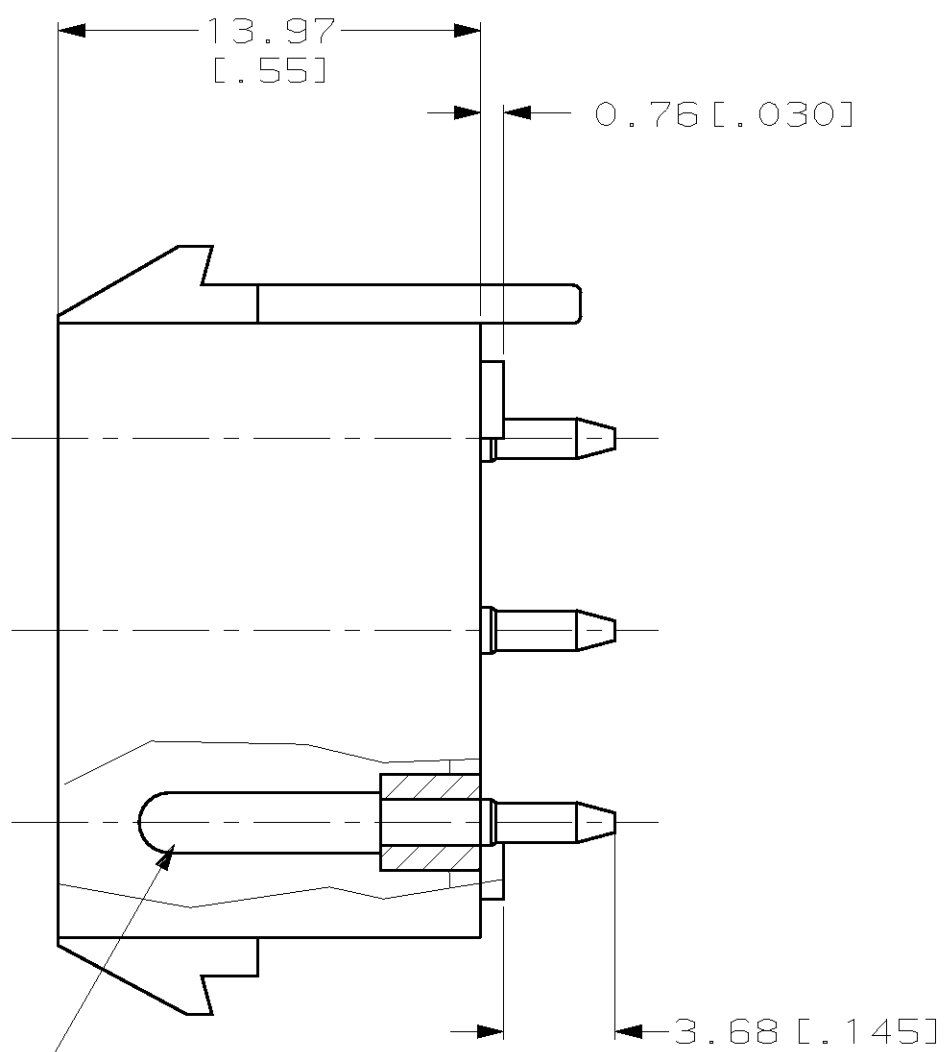
THIS DRAWING IS UNPUBLISHED. RELEASED FOR PUBLICATION  
 (C) COPYRIGHT 19 BY AMP INCORPORATED. ALL RIGHTS RESERVED.

LOC	DIST	REVISIONS					
CH	11	P	LTR	DESCRIPTION	DATE	DWN	APVD
		0		RELEASED	26/AUG/97	DAP	-
		A		EC OB20-0270-98	19/FEB/98	RNP	RAR
		B		EC OB20-1083-98	20/AUG/98	RNP	RAR

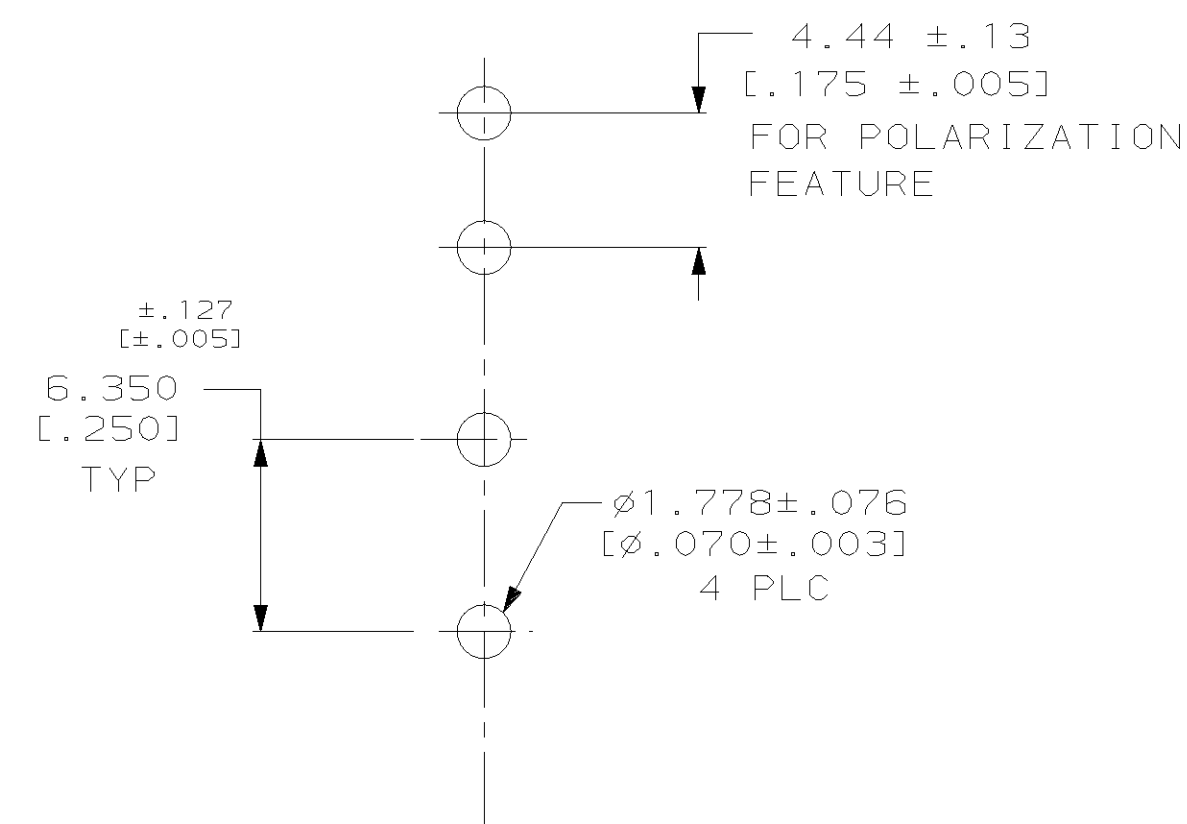
- MATES WITH MATE-N-LOK II PLUG CONNECTOR USING P/N 194211-1 OR 194213-1 SOCKET CONTACTS.
- ALL DIMENSIONS ARE REFERENCE ONLY EXCEPT P.C. LAYOUT.
- PIN CONTACTS ARE LUBRICATED.



HOUSING  
 MAT'L; NYLON 94V-0



CONTACT  
 MAT'L; COPPER ALLOY  
 FINISH; 5.8µm [200µIN] MIN SILVER  
 OVER 1.01 µm [40 µIN] MIN NICKEL



RECOMMENDED LAYOUT FOR  
 1.57 [.062] THICK P.C. BOARD

THIS DRAWING IS A CONTROLLED DOCUMENT.		DWN D. A. PUERNER	26/AUG/97	<b>AMP</b> AMP Incorporated Harrisburg, PA 17105-3608																											
DIMENSIONS: mm (in)		CHK -	APVD -																												
<table border="1"> <tr> <th colspan="2">DIMENSIONS:</th> <th colspan="2">TOLERANCES UNLESS OTHERWISE SPECIFIED:</th> </tr> <tr> <td></td> <td>0 PLC</td> <td>±</td> <td></td> </tr> <tr> <td></td> <td>1 PLC</td> <td>±</td> <td></td> </tr> <tr> <td></td> <td>2 PLC</td> <td>±</td> <td></td> </tr> <tr> <td></td> <td>3 PLC</td> <td>±</td> <td></td> </tr> <tr> <td></td> <td>4 PLC</td> <td>±</td> <td></td> </tr> <tr> <td></td> <td>ANGLES</td> <td>±</td> <td></td> </tr> </table>		DIMENSIONS:		TOLERANCES UNLESS OTHERWISE SPECIFIED:			0 PLC	±			1 PLC	±			2 PLC	±			3 PLC	±			4 PLC	±			ANGLES	±		PRODUCT SPEC -	NAME HIGH CURRENT VERT. PIN HEADER ASSY. MATE-N-LOK II, 3 CIRCUIT, LUBRICATED
DIMENSIONS:		TOLERANCES UNLESS OTHERWISE SPECIFIED:																													
	0 PLC	±																													
	1 PLC	±																													
	2 PLC	±																													
	3 PLC	±																													
	4 PLC	±																													
	ANGLES	±																													
MATERIAL -	FINISH -	APPLICATION SPEC -	WEIGHT -	SIZE A2																											
CUSTOMER DRAWING		CAGE CODE 00779		DRAWING NO C-194261																											
		SCALE -	SHEET 1 OF 1	REV B																											

单击下面可查看定价，库存，交付和生命周期等信息

[>>TE Connectivity\(泰科\)](#)