

THIS DRAWING IS UNPUBLISHED.

RELEASED FOR PUBLICATION AUGUST ,2006.

REVISIONS

© COPYRIGHT 2006 By -

ALL RIGHTS RESERVED.

P	LTR	DESCRIPTION	DATE	DWN	APVD
C1		REVISE PER ECR-17-007675	27MAY2017	BW	RS

NOTES:

- 1 PACK IN ACCORDANCE WITH AMP SPEC 107-3275
- 2 100 TRAY PACK IN ACCORDANCE WITH AMP SPEC 107-3275
- 3 Ag PLATING
- 4 THIS ITEM MUST BE WHITE

- 5 HAND TOOL : 9-1478240-0
- 6 DIE SET : 9-1478246-0

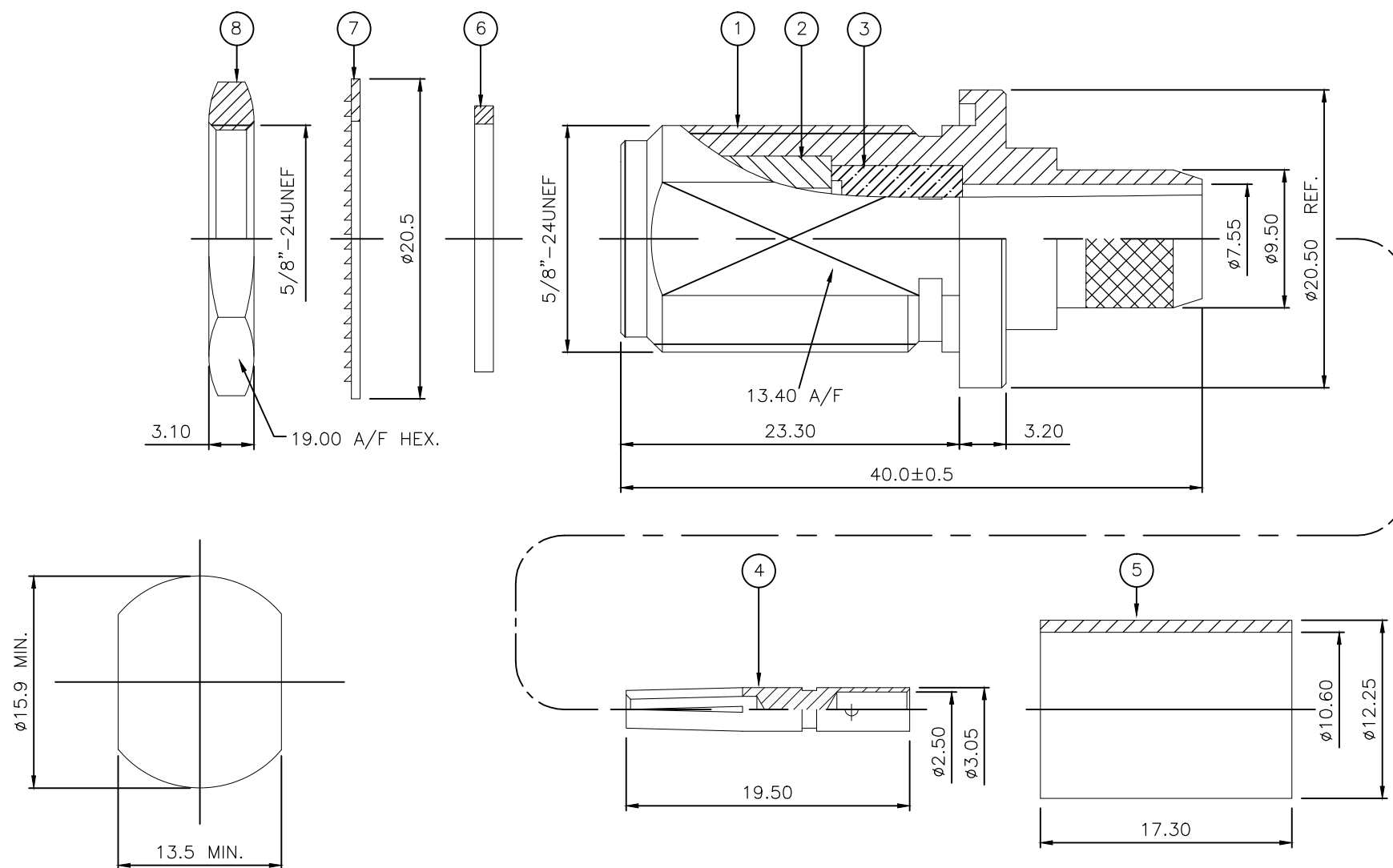
- 7 ELECTRICAL CHARACTERISTICS
- | | |
|-------------------------------|-----------------------------|
| FREQUENCY RANGE: | DC - 11 GHz |
| NOMINAL IMPEDANCE: | 50 Ohm |
| INSULATION RESISTANCE: | 5000 MOhm |
| WORKING VOLTAGE: | 1000 Volts RMS at Sea Level |
| DIELECTRIC WITHSTAND VOLTAGE: | 2500 Volts RMS Max |
| CONTACT RESISTANCE: | |
| CENTRE CONTACT: | 1.00 mOhm Max |
| OUTER CONTACT: | 1.00 mOhm Max |
| VSWR : | 1.30 Max |
| INSERTION LOSS dB @ x 10 GHz: | 0.3dB Max |

- 8 MECHANICAL CHARACTERISTICS
- | | |
|-------------------------------|------------|
| COUPLING NUT RETENTION FORCE: | N/A |
| CABLE RETENTION FORCE: | N/A |
| MOUNT NUT RECOMMENDED TORQUE: | 6 N-m |
| DURABILITY: | 500 Cycles |

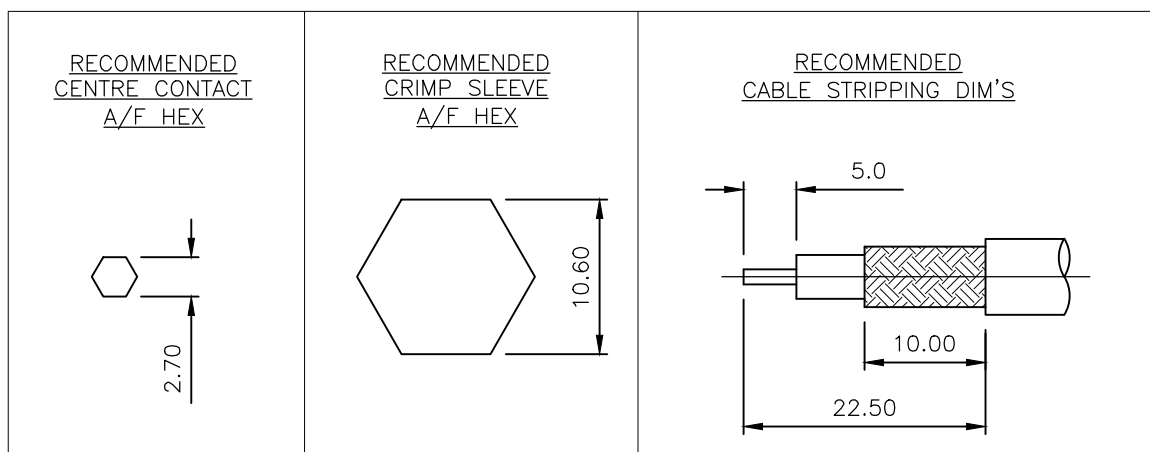
- 9 ENVIRONMENTAL CHARACTERISTICS
- | | |
|------------------------|------------------|
| OPERATING TEMPERATURE: | -65 to +165 DegC |
|------------------------|------------------|

- 10 FOR TECHNICAL DATA REFER TO YOUR LOCAL TYCO ELECTRONICS SALES OFFICE

- 11 ALL DIMENSIONS ARE NOMINAL FOR REFERENCE ONLY UNLESS OTHERWISE STATED



RECOMMEND MOUNTING HOLE



QTY	QTY PER ASSY	MATERIAL	DESCRIPTION	ITEM
1	1	BRASS	HEXAGONAL NUT	8
1	1	BRASS	LOCKWASHER	7
1	1	SILICONE RUBBER	GASKET	6
1	1	BRASS	FERRULE	5
1	1	PHOSPHOR BRONZE	CONTACT	4
1	1	PTFE	INSULATION	3
1	1	BRASS	CHASSIS	2
1	1	BRASS	BODY	1
6--0	1--0			
QUANTITY PER ASSY		PARTS LIST		

THIS DRAWING IS A CONTROLLED DOCUMENT.		DWN J.SANDWELL 22AUG06		TE Connectivity	
DIMENSIONS: mm		CHK S.PARLOW 22AUG06			
TOLERANCES UNLESS OTHERWISE SPECIFIED:		APVD F.WHEELER-KING 22AUG06		NAME	
0 PLC ± -		PRODUCT SPEC		TYPE 'N' BULKHEAD JACK REAR MNT CRIMP 50 OHM	
1 PLC ± 0.2		APPLICATION SPEC		PSF1/4M, RG8A/U, 213/U, URM67, KX4	
2 PLC ± 0.1		411-3247		SIZE	CAGE CODE
3 PLC ± 0.05		WEIGHT 0.000000		DRAWING NO	
4 PLC ± -		CUSTOMER DRAWING		A300779	
ANGLES ± 5°		SCALE NTS		SHEET 1 OF 1	
FINISH -		RESTRICTED TO -		REV C1	

单击下面可查看定价，库存，交付和生命周期等信息

[>>TE Connectivity\(泰科\)](#)