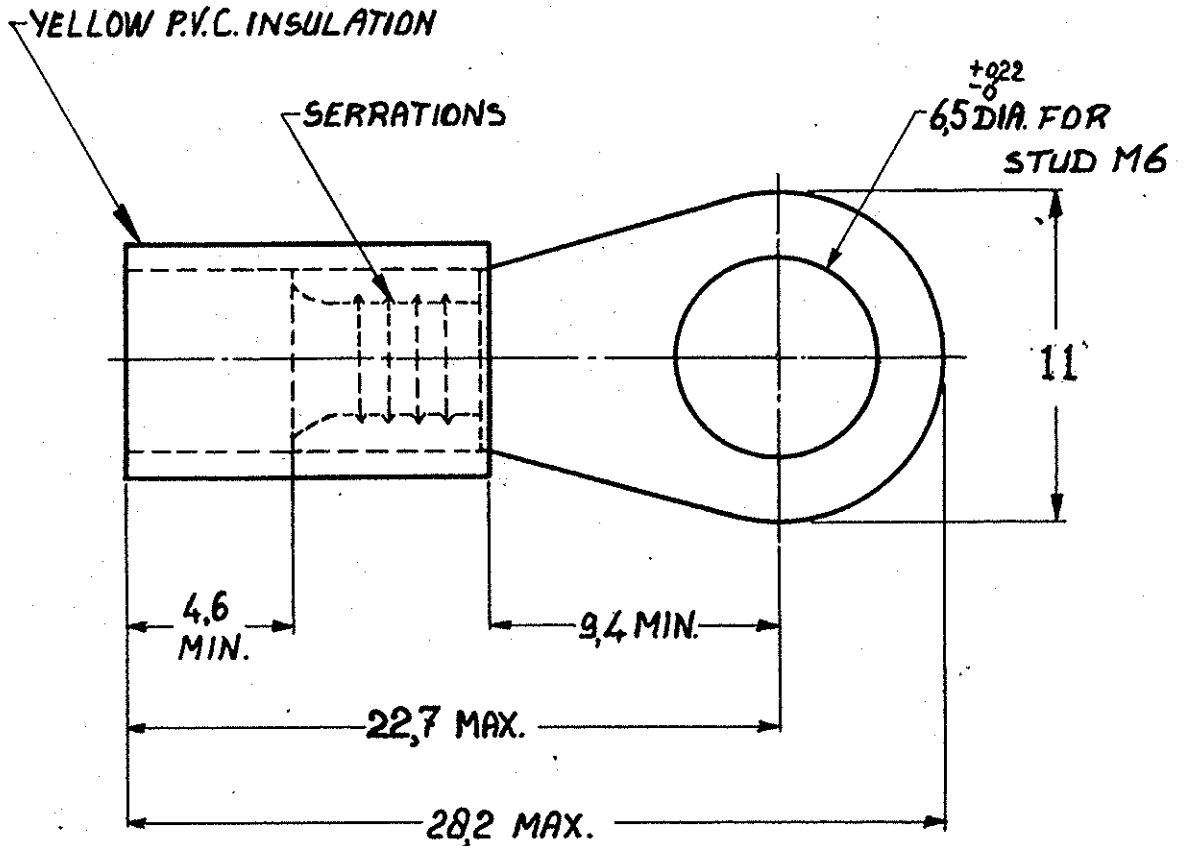


DRAWING MADE IN AMERICAN PROJECTION

NUMBER C-165414-E



TONGUE MATERIAL THICKNESS: 10

**CUSTOMER COPY FOR REFERENCE ONLY**

©1970 BY AMP-HOLLAND N.V. ALL RIGHTS RESERVED A-MP PRODUCTS COVERED BY PATENTS AND/OR PATENTS PENDING.



AMP-HOLLAND N.V.  
HERTOGENBOSCH  
HOLLAND

DR	DATE	DE	DATE	WIRE-RANGE	INSUL.-RANGE	TYPE	DIN	C-165414-E	REV F
CHK	DATE	APP	DATE	4-6 mm <sup>2</sup>	5,6 DIA. MAX	PLASTI-GRIP			
OBS 2-165414-1 165414 TAPE MOUNTED				SCALE	LOC	SIZE	NO		
ORDER NO.	MATERIAL	PLATING		4:1	H	A			

REV C 30-8-85

DIMENSIONS IN M.M. DO NOT SCALE PRINT

单击下面可查看定价，库存，交付和生命周期等信息

[>>TE Connectivity\(泰科\)](#)