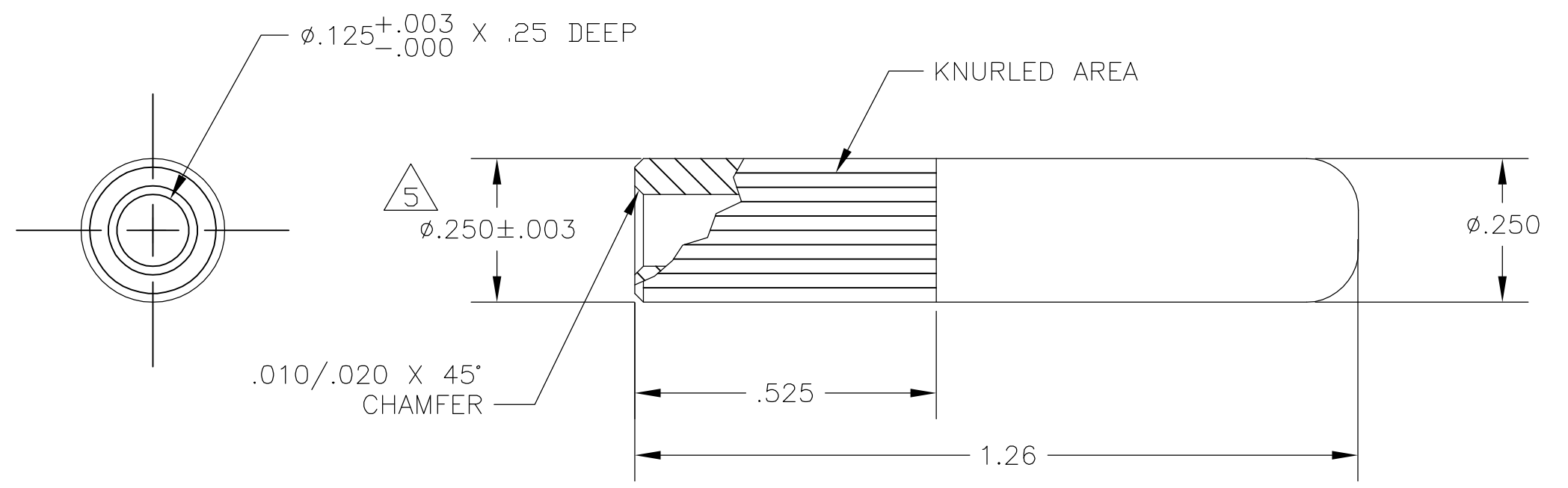


THIS DRAWING IS UNPUBLISHED. RELEASED FOR PUBLICATION  
 © COPYRIGHT BY TYCO ELECTRONICS CORPORATION. ALL RIGHTS RESERVED.

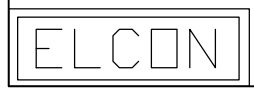
LOC	DIST	REVISIONS					
GP	00	P	LTR	DESCRIPTION	DATE	DWN	APVD
			A	RELEASED	03APR06	RG	PD



5. DIAMETER OVER KNURL.

- 4. FINISH: SILVER .000200 MIN THK. OVER NICKEL .000040 MIN THK.
- 3. MATERIAL: BRASS ALLOY.
- 2. ITEMS PROVIDED TO THIS SPECIFICATION SHALL BE IDENTIFIED ON THE CONTAINER WITH THE FOLLOWING INFORMATION: PART NUMBER & DATE CODE OF MFG.
- 1. PART NUMBER CHANGES AND/OR DESIGN CHANGES AFFECTING ITEM INTERCHANGEABILITY REQUIRE PRIOR TYCO APPROVAL AND AUTHORIZATION BY REVISION TO THIS DRAWING.

1766278-1  
PART NUMBER



THIS DRAWING IS A CONTROLLED DOCUMENT.		DWN R.GRZYBOWSKI 04APR2006	Tyco Electronics Corporation Harrisburg, PA 17105-3608			
DIMENSIONS: INCHES		CHK P.DAMATO 03APR06	NAME			
		APVD S.FLICKINGER 03APR06	CONTACT, PIN, .25 DIA. WITH KNURLED BODY P/N: 711-39-02107			
TOLERANCES UNLESS OTHERWISE SPECIFIED:		PRODUCT SPEC	RESTRICTED TO			
0 PLC ± - 1 PLC ± - 2 PLC ± .01 3 PLC ± .005 4 PLC ± - ANGLES ± .5		APPLICATION SPEC	SIZE	CAGE CODE	DRAWING NO	
MATERIAL SEE NOTE 3	FINISH SEE NOTE 4	WEIGHT -	A3	00779	C-1766278	
CUSTOMER DRAWING			SCALE	SHEET	REV	
			1:1	1 OF 1	A	

单击下面可查看定价，库存，交付和生命周期等信息

[>>TE Connectivity\(泰科\)](#)