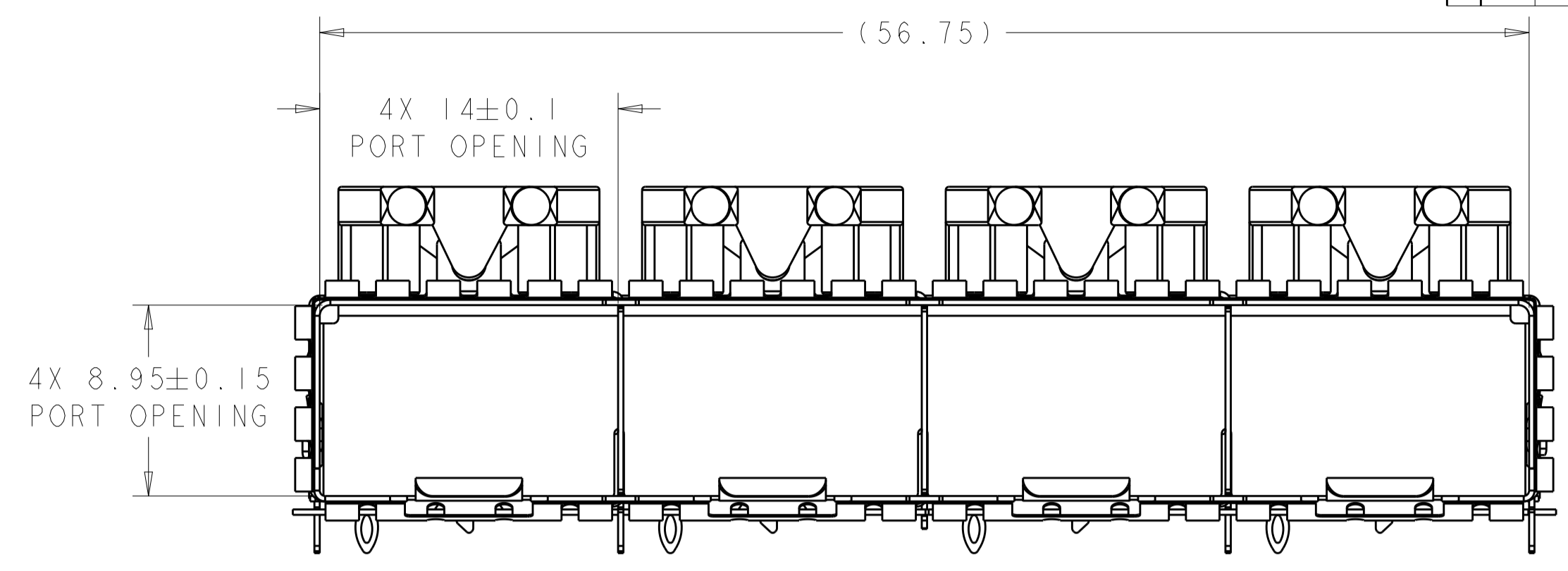
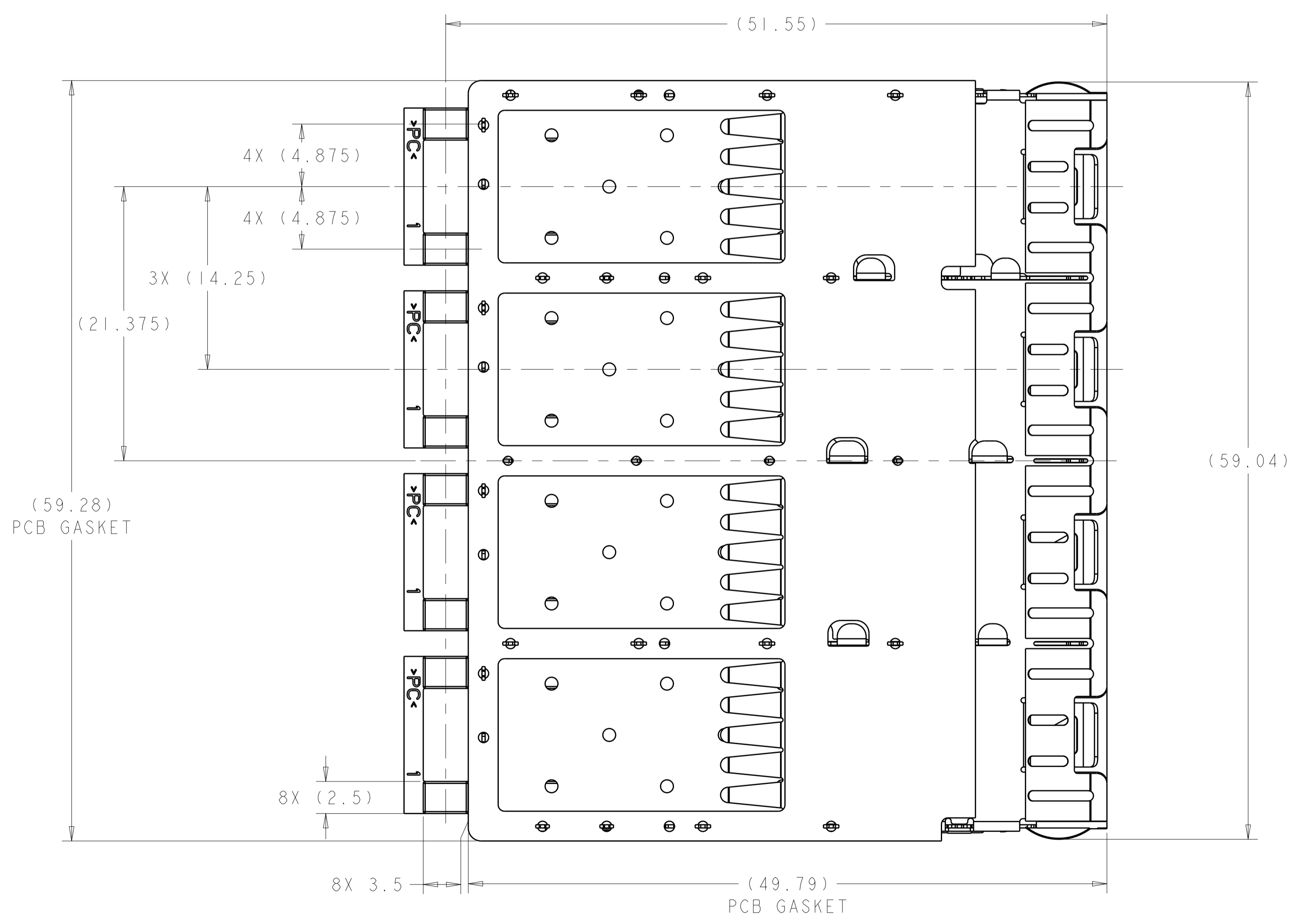
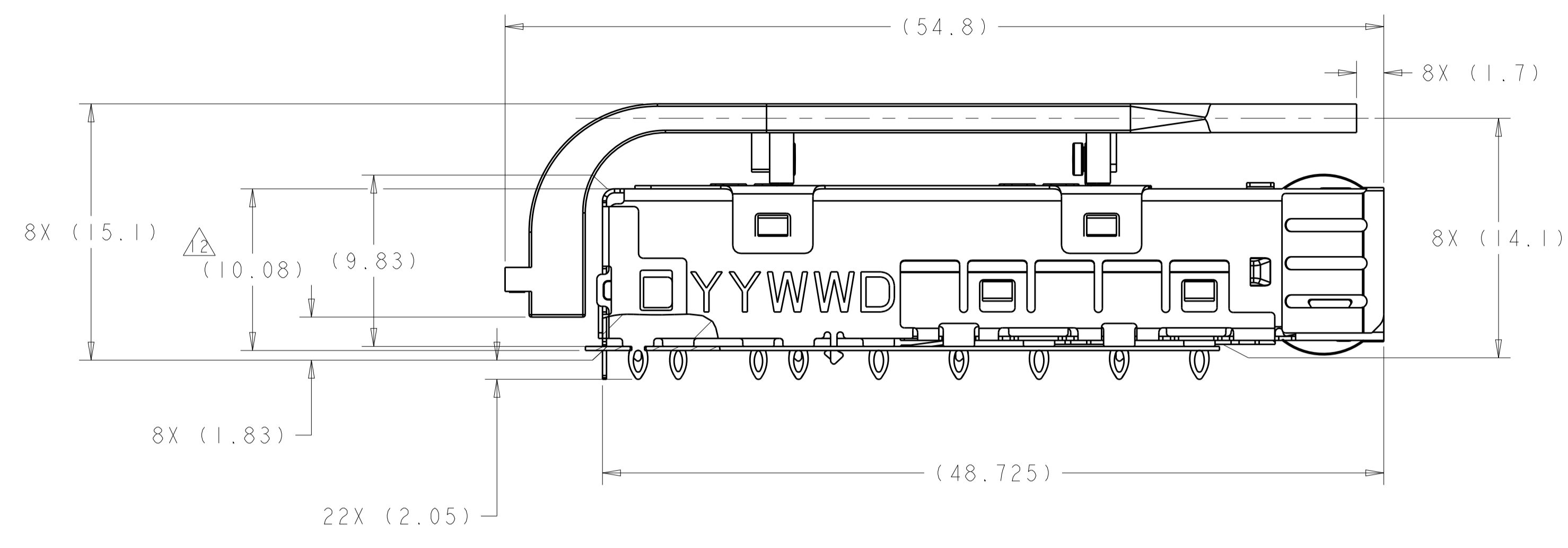
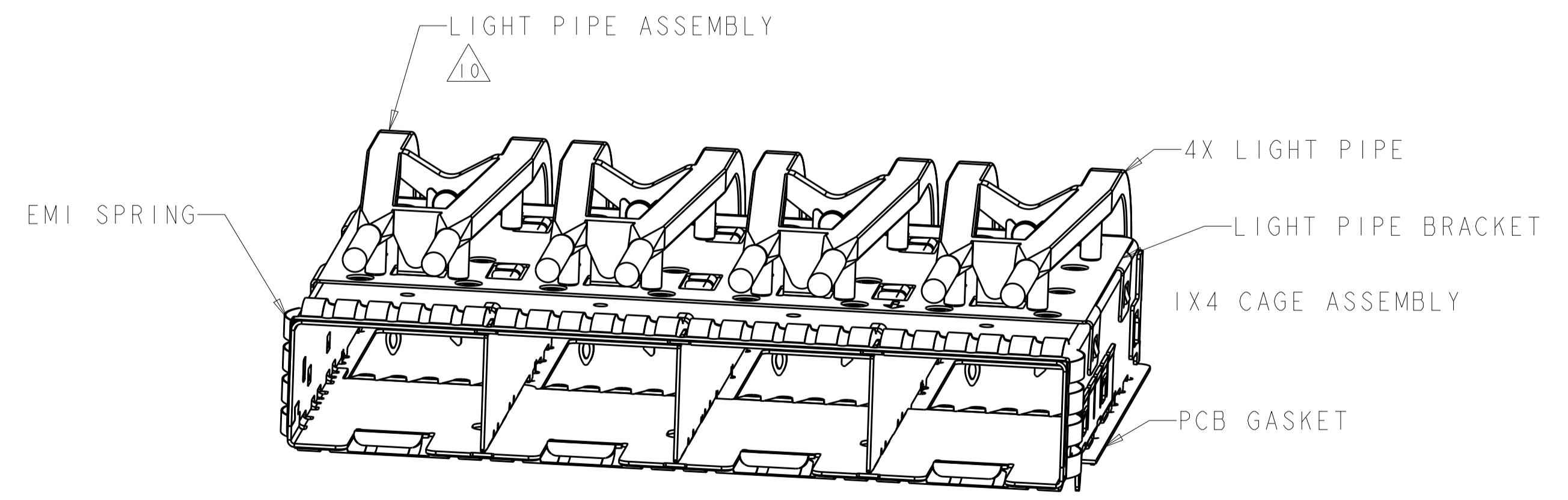


LOC	DIST	REVISIONS			
P	LTN	DESCRIPTION	DATE	DWN	APVD
A		REVISED PER ECO-15-002647	05MAR2015	AP	MS
B		REVISED PER ECO-16-014593	13FEB2017	JW	SH



- 1 MATERIAL:
 CAGE ASSEMBLY: NICKEL SILVER ALLOY, (.025mm)
 GASKET RETENTION PLATE: STAINLESS STEEL
 EMI GASKET: PLATED FILLED SILICONE
 PCB GASKET: RF ABSORBER
 LIGHT PIPE BRACKET: STAINLESS STEEL
 LIGHT PIPE: POLYCARBONATE, CLEAR
- 2 MINIMUM PC BOARD THICKNESS:
 SINGLE SIDED = 1.45mm
 BELLY TO BELLY = 3mm
- 3 PADS AND VIAS CHASSIS GROUND
- 4 DATUM AND BASIC DIMENSION ESTABLISHED BY CUSTOMER
- 5. MATES WITH SFP MSA COMPLIANT TRANSCEIVERS
- 6. INTERPRETATION OF DATUM REFERENCE FRAME IN ACCORDANCE WITH SECT 4.4.1.1 OF ASME Y14.5M-1994
- 7 REFERENCE APPLICATION SPEC. 114-13120, HOLE A, FOR RECOMMENDED DRILL HOLE DIAMETER AND PLATING THICKNESS
- 8 REFERENCE APPLICATION SPEC. 114-13120, HOLE B, FOR RECOMMENDED DRILL HOLE DIAMETER AND PLATING THICKNESS
- 9 HOLE PATTERN REPEATS FOR EACH PORT, SPACING BETWEEN PORTS IS 14.25mm
- 10 LIGHT PIPE ASSEMBLY SHIPPED UNASSEMBLED TO CAGE ASSEMBLY, CAGE ASSEMBLY TO BE PRESSED INTO THE PCB PRIOR TO ATTACHING LIGHT PIPE ASSEMBLY TO CAGE
- 11. PRODUCT COMPLIES WITH SPECIFICATION SFF-8433, IMPROVED PLUGGABLE FORM FACTOR FOR SFP+ GANGED CAGES
- 12 CONTACT STANDOFF WILL PIERCE GASKET WHEN PROPERLY PRESSED INTO PCB.



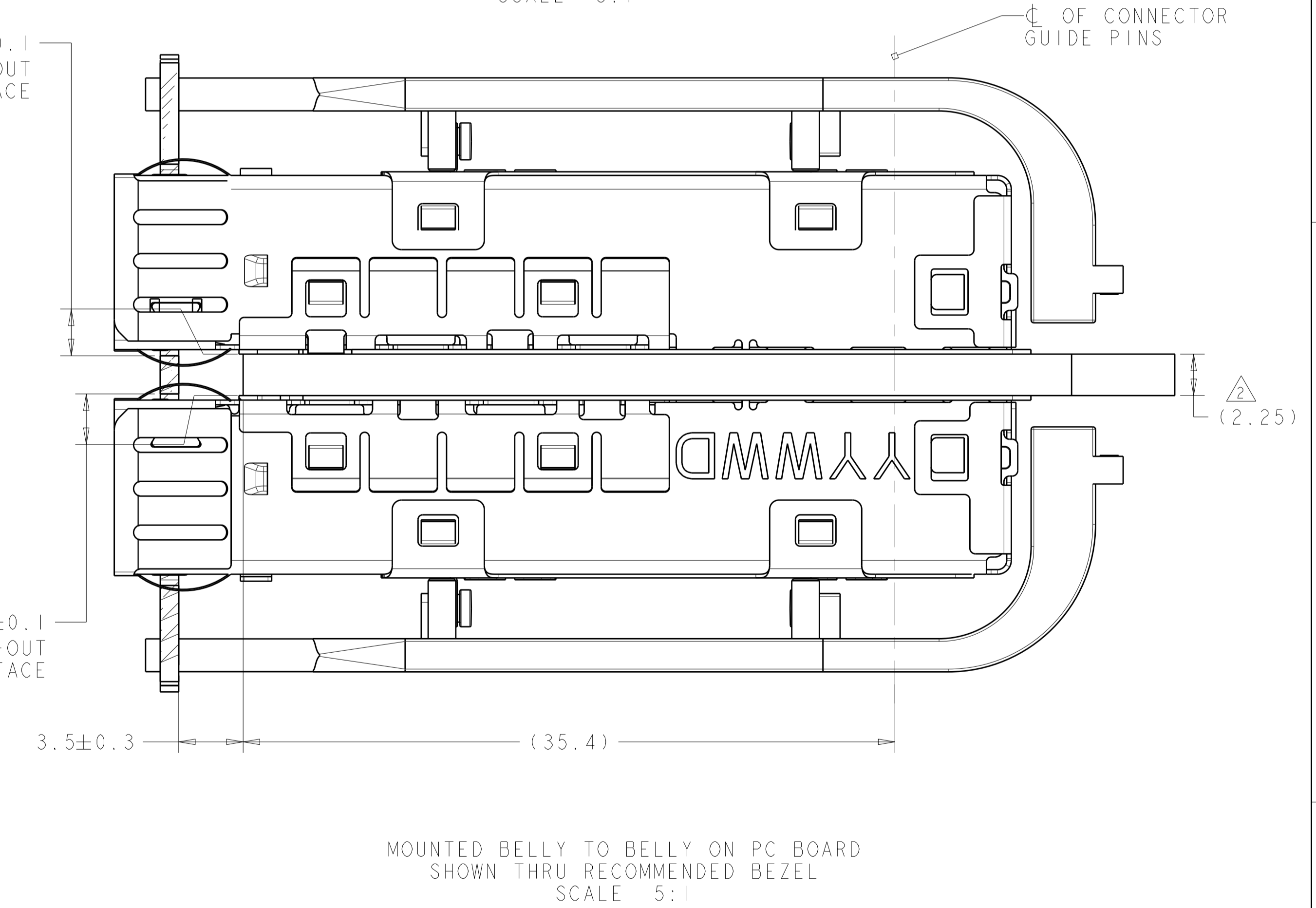
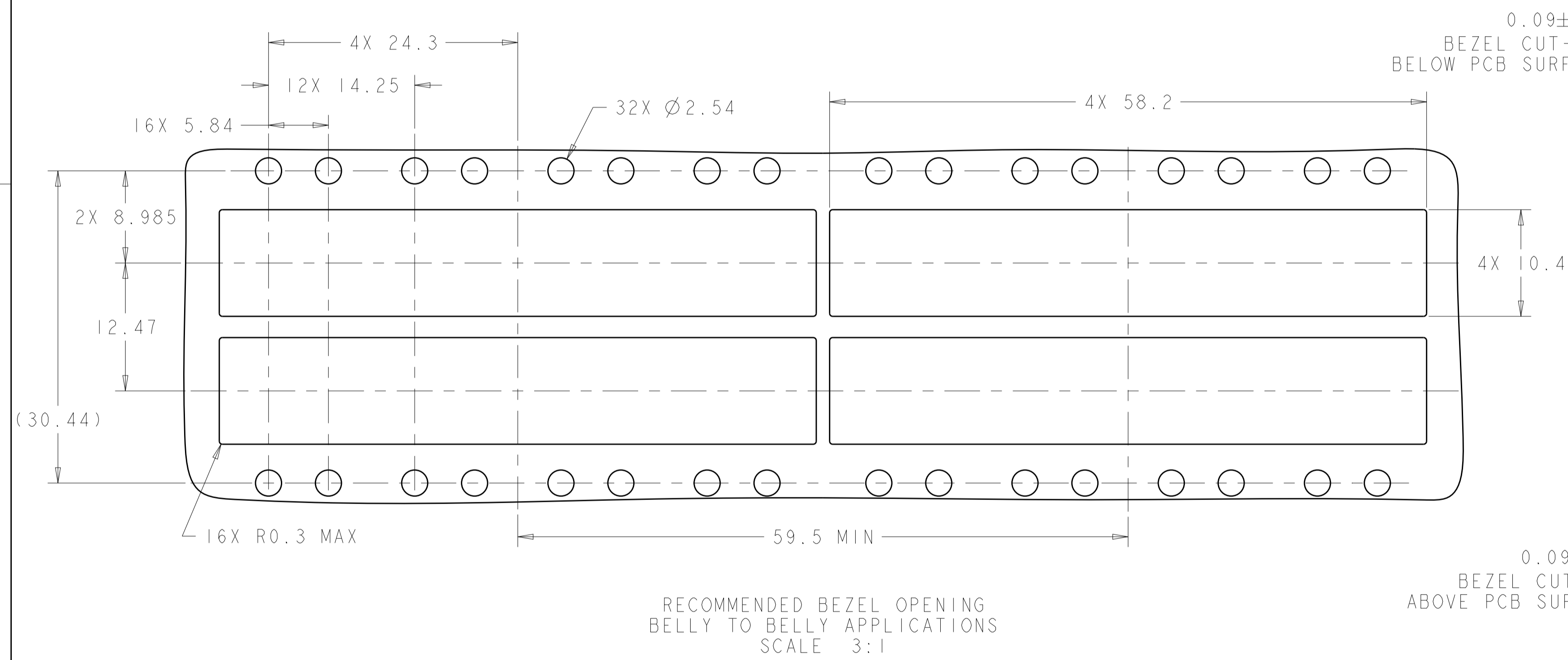
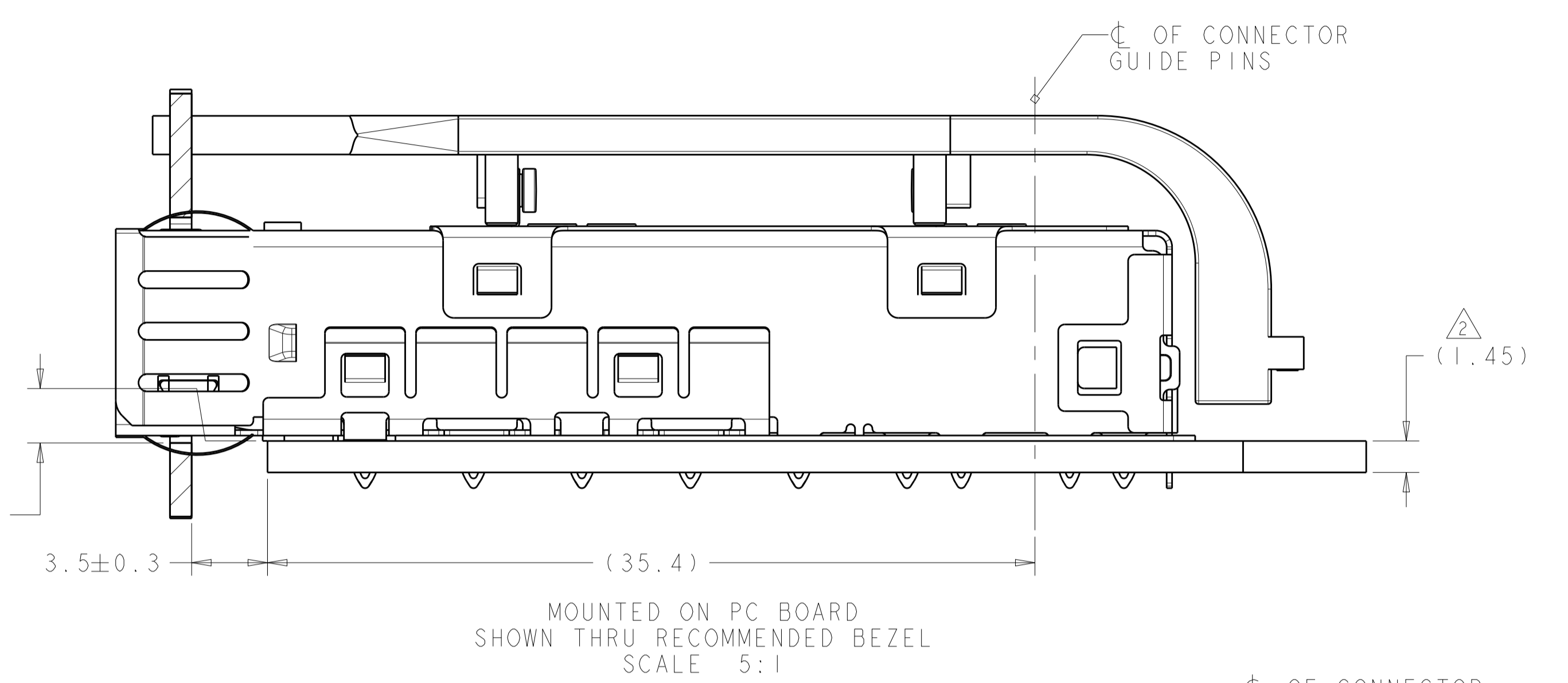
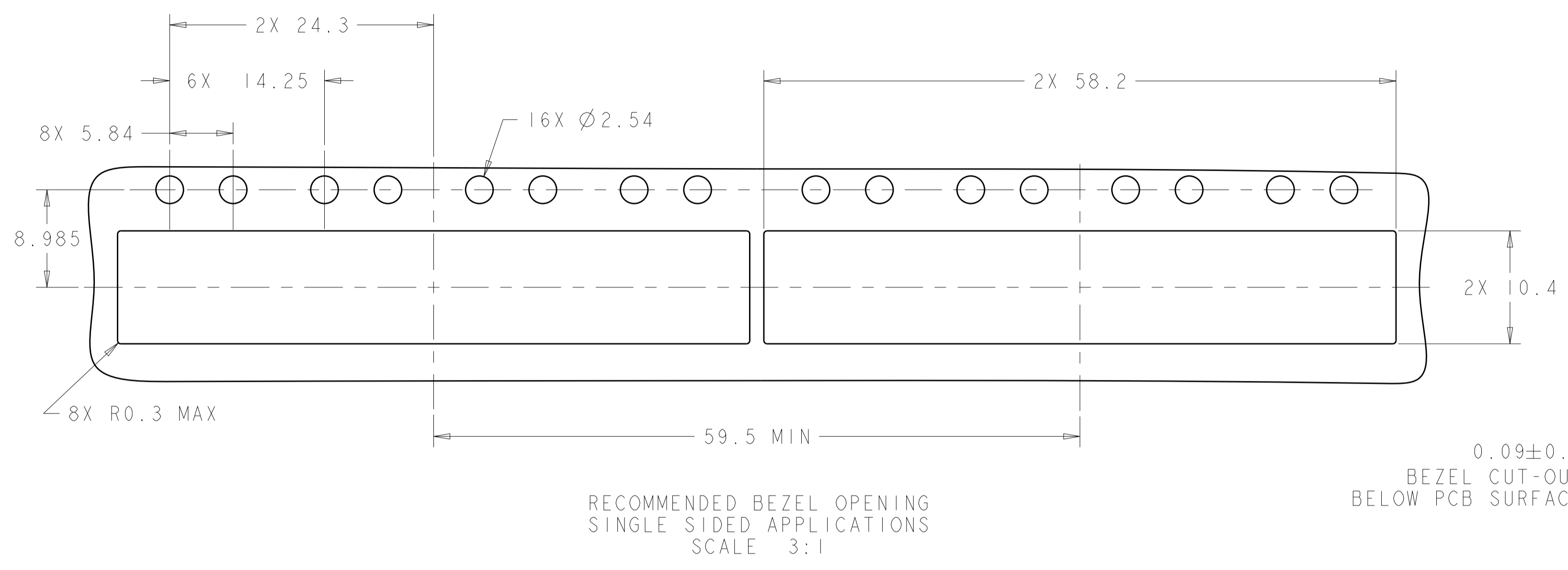
2227729-1
 SCALE 3:1

2227729-1
 PART NUMBER

THIS DRAWING IS A CONTROLLED DOCUMENT.		DWN: M.E. CONNER 19FEB2013	TE Connectivity
DIMENSIONS: mm		CHK: M.D. MORRISON 19FEB2013	
TOLERANCES UNLESS OTHERWISE SPECIFIED:		APVD: M.J. PHILLIPS 19FEB2013	NAME: CAGE ASSEMBLY WITH LIGHT PIPES, PRESS-FIT, EMI SPRINGS, 1X4, zSFP+
0 PLC ±0.1 1 PLC ±0.1 2 PLC ±0.08 3 PLC ±0.05 4 PLC ±0.05 ANGLES ±0.05		PRODUCT SPEC: 108-2364	
MATERIAL: SEE NOTES		APPLICATION SPEC: 114-13120	SIZE: CAGE CODE DRAWING NO: A100779C=2227729
FINISH: SEE NOTES		WEIGHT: -	RESTRICTED TO: -
		Customer Drawing	SCALE: 4:1 SHEET 1 OF 4 REV B

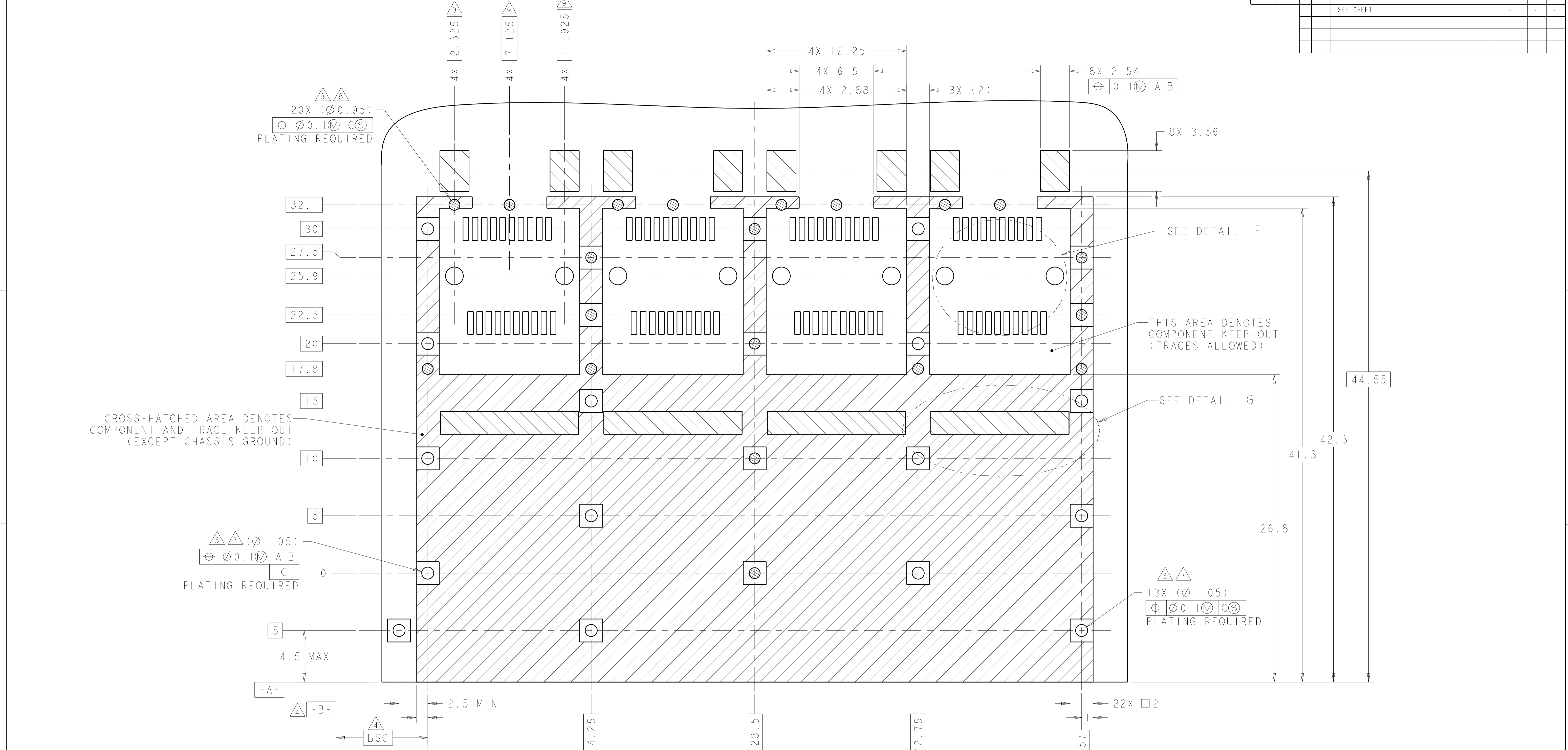
LOC	DIST	REV	DATE	BY	APPV
GP	00				

REVISIONS		DATE	BY	APPV
	SEE SHEET 1			

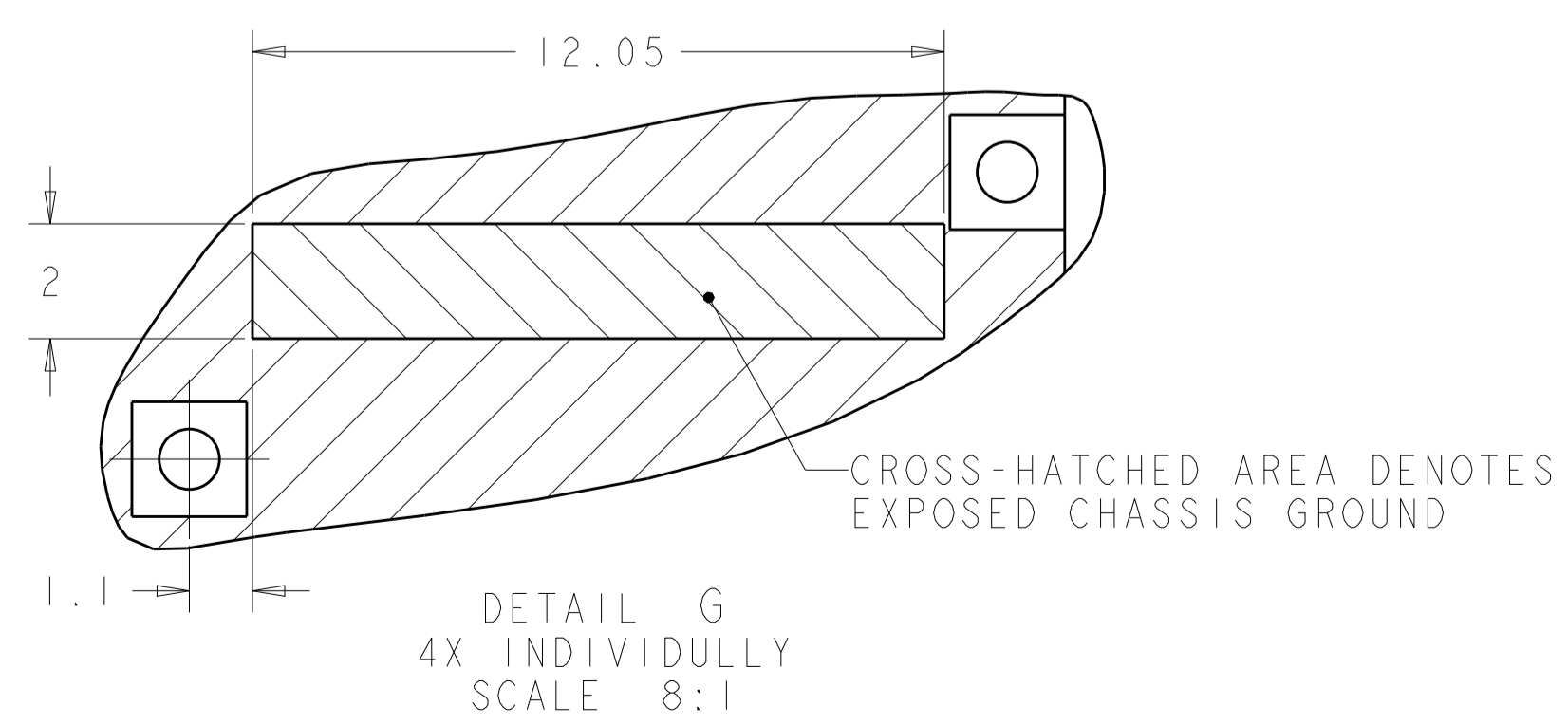
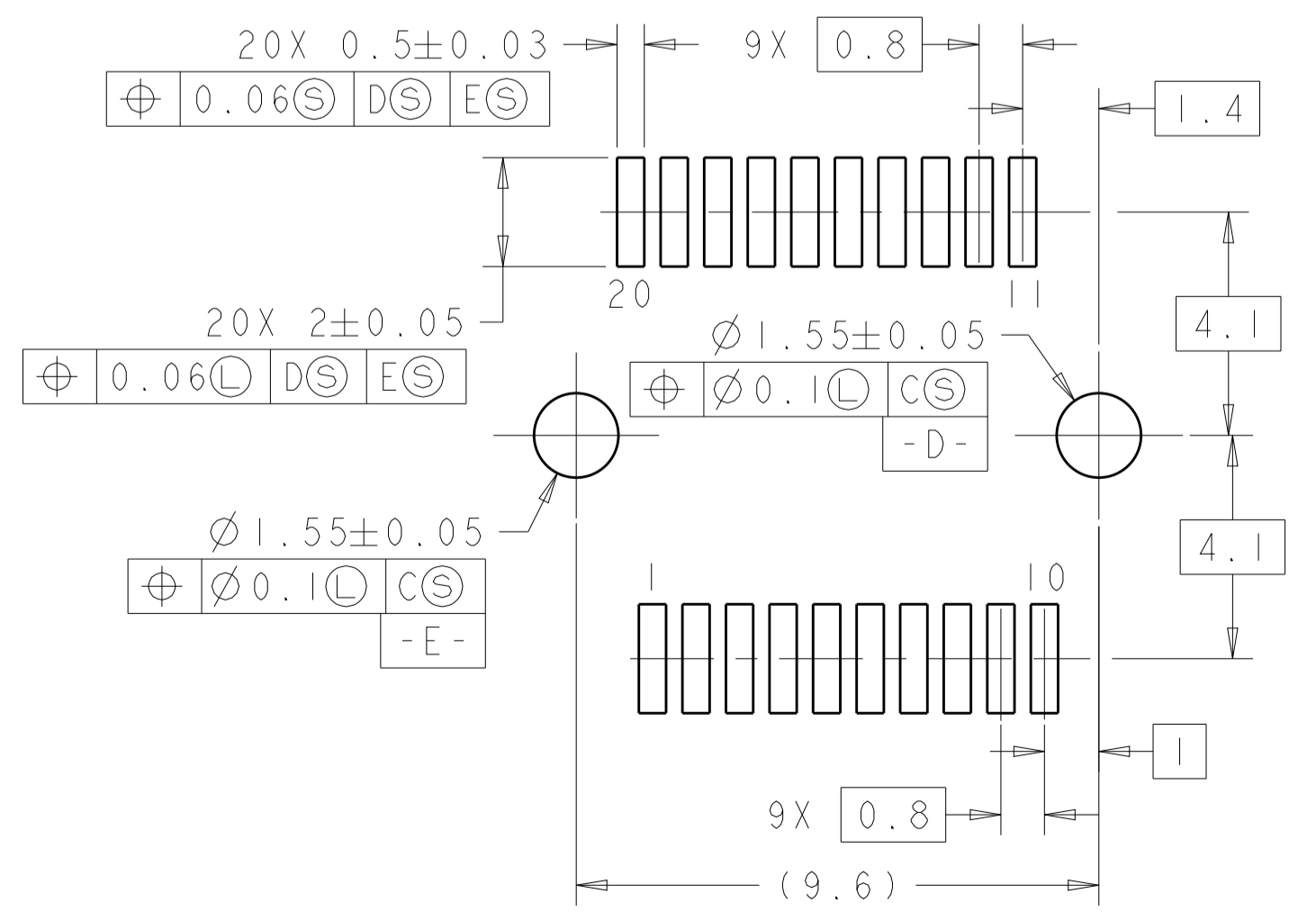


THIS DRAWING IS A CONTROLLED DOCUMENT.		OWN M. E. CONNER 19FEB2013	TE Connectivity
DIMENSIONS: mm		CHK M. D. MORRISON 19FEB2013	
TOLERANCES UNLESS OTHERWISE SPECIFIED:		APVD M. J. PHILLIPS 19FEB2013	NAME CAGE ASSEMBLY WITH LIGHT PIPES, PRESS-FIT, EMI SPRINGS, 1X4, zSFP+
0 PLC ±0.1 1 PLC ±0.1 2 PLC ±0.08 3 PLC ±0.05 4 PLC ±0.05 ANGLES ±0.05 FINISH #1*		PRODUCT SPEC 108-2364 APPLICATION SPEC 114-13120 WEIGHT -	
MATERIAL SEE NOTES		SIZE A100779	RESTRICTED TO
FINISH SEE NOTES		Customer Drawing	SCALE 4:1 SHEET 2 OF 4 REV B

LOC	DIST	REVISIONS					
GP	00	P	LTN	DESCRIPTION	DATE	OWN	APVD
		-	-	SEE SHEET 1	-	-	-

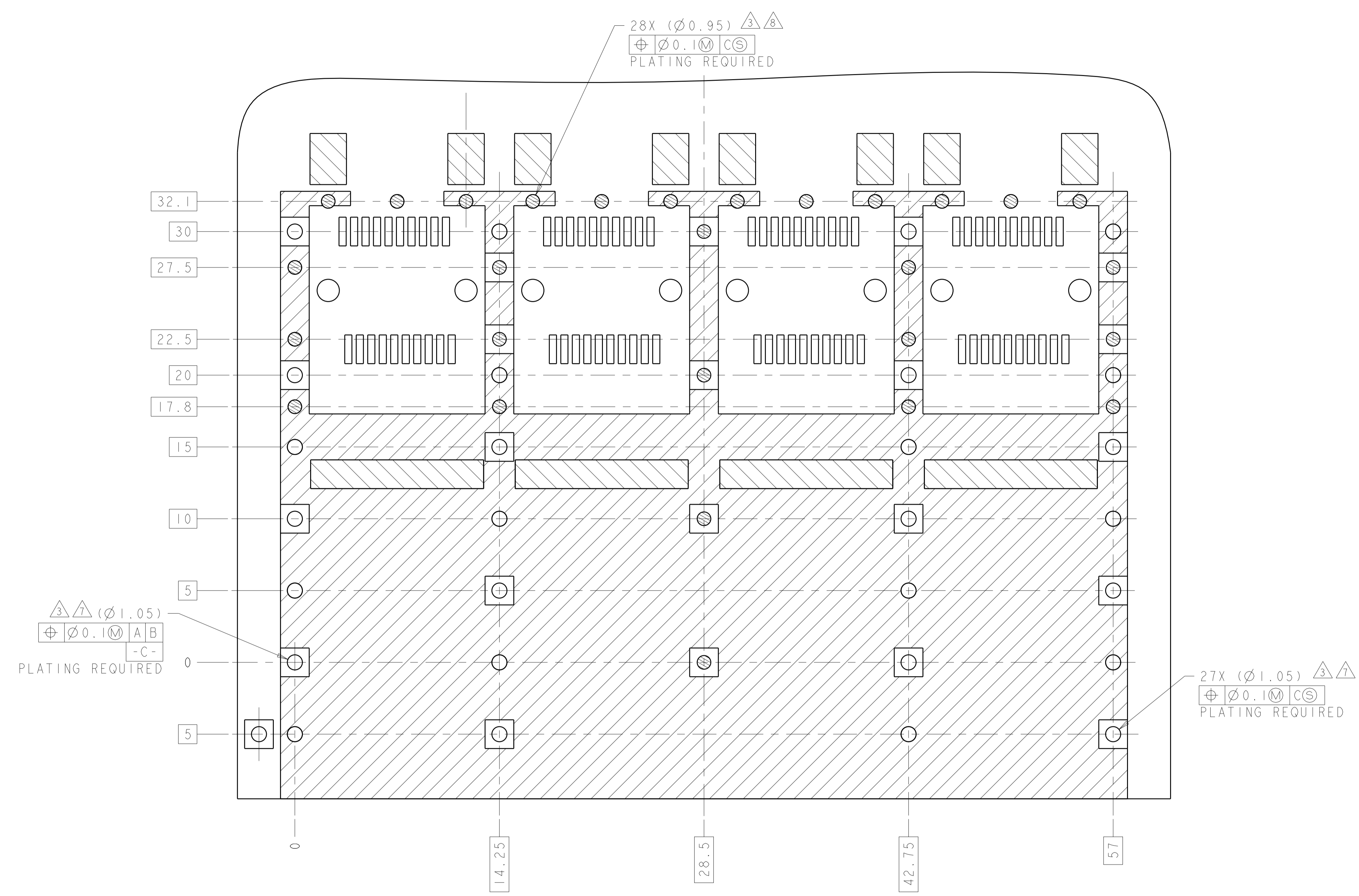


RECOMMENDED PCB CONFIGURATION WITH KEEP-OUT AREAS FOR SINGLE SIDE APPLICATION
 SCALE 6:1



THIS DRAWING IS A CONTROLLED DOCUMENT.		OWN: M.E. CONNER 19FEB2013	TE Connectivity
DIMENSIONS: mm		CHK: M.D. MORRISON 19FEB2013	
TOLERANCES UNLESS OTHERWISE SPECIFIED:		APVD: M.J. PHILLIPS 19FEB2013	NAME: CAGE ASSEMBLY WITH LIGHT PIPES, PRESS-FIT, EMI SPRINGS, 1X4, zSFP+
0 PLC ±0.1 1 PLC ±0.1 2 PLC ±0.08 3 PLC ±0.05 4 PLC ±0.05 ANGLES ±0.05		PRODUCT SPEC: 108-2364	SIZE: 114-13120
MATERIAL: SEE NOTES		APPLICATION SPEC: 114-13120	RESTRICTED TO: -
FINISH: SEE NOTES		WEIGHT: -	Customer Drawing
SCALE: 4:1		SHEET: 3 OF 4	REV: B

LOC	DIST	REVISIONS					
GP	00	P	LTN	DESCRIPTION	DATE	DWN	APVD
		-		SEE SHEET 1			



RECOMMENDED PCB CONFIGURATION WITH KEEP-OUT AREAS FOR BELLY TO BELLY APPLICATION
 SAME AS SINGLE SIDE APPLICATION, EXCEPT AS SHOWN
 SCALE 6:1

THIS DRAWING IS A CONTROLLED DOCUMENT.		DWN: M.E. CONNER 19FEB2013	TE Connectivity
DIMENSIONS: mm		CHK: M.D. MORRISON 19FEB2013	
TOLERANCES UNLESS OTHERWISE SPECIFIED: 0 PLC ±0.1 1 PLC ±0.1 2 PLC ±0.08 3 PLC ±0.05 4 PLC ±0.05 ANGLES ±0.05		APVD: M.J. PHILLIPS 19FEB2013	NAME: CAGE ASSEMBLY WITH LIGHT PIPES, PRESS-FIT, EMI SPRINGS, 1X4, zSFP+
MATERIAL: SEE NOTES		PRODUCT SPEC: 108-2364	SIZE: 114-13120
FINISH: SEE NOTES		APPLICATION SPEC: 114-13120	RESTRICTED TO: -
		WEIGHT: -	SCALE: 4:1
		Customer Drawing	SHEET 4 OF 4 REV B

单击下面可查看定价，库存，交付和生命周期等信息

[>>TE Connectivity\(泰科\)](#)