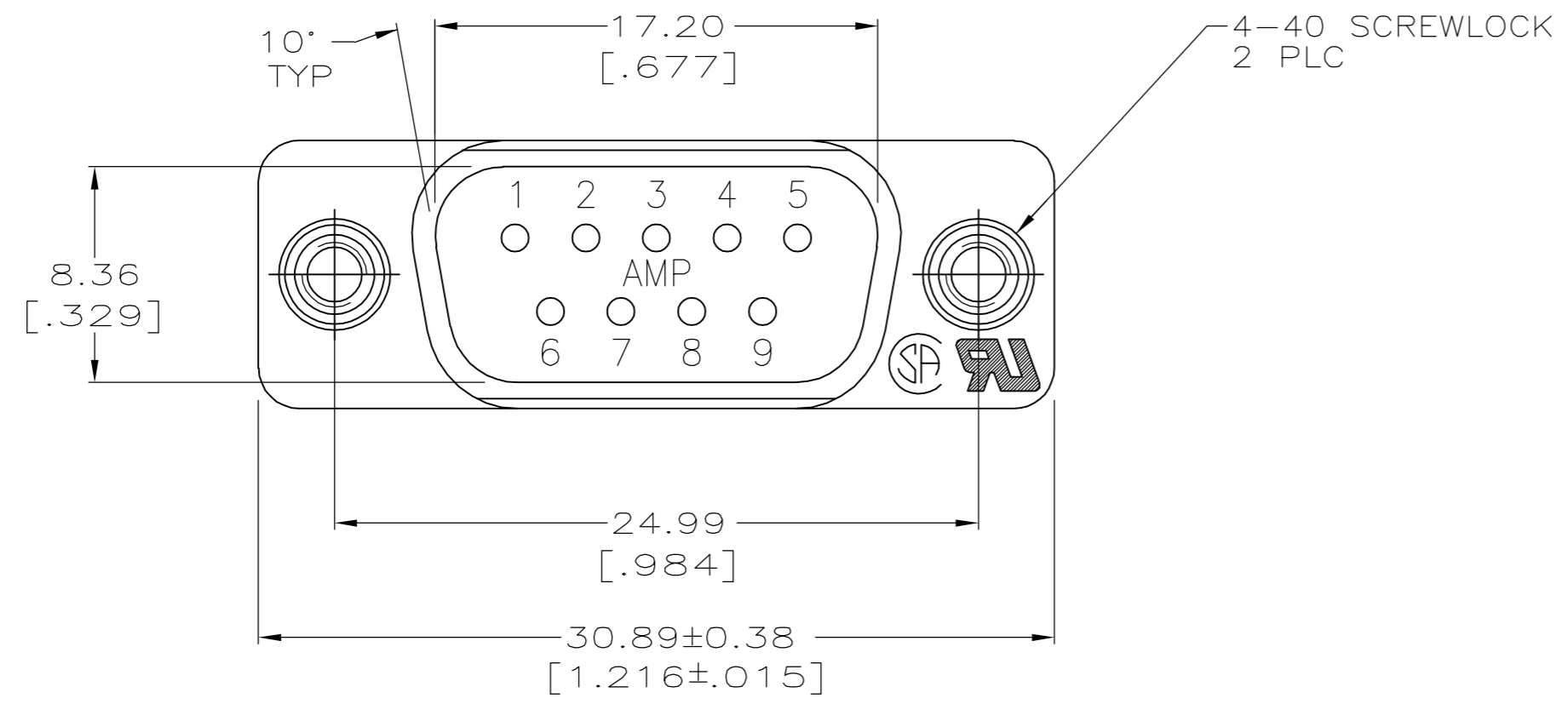
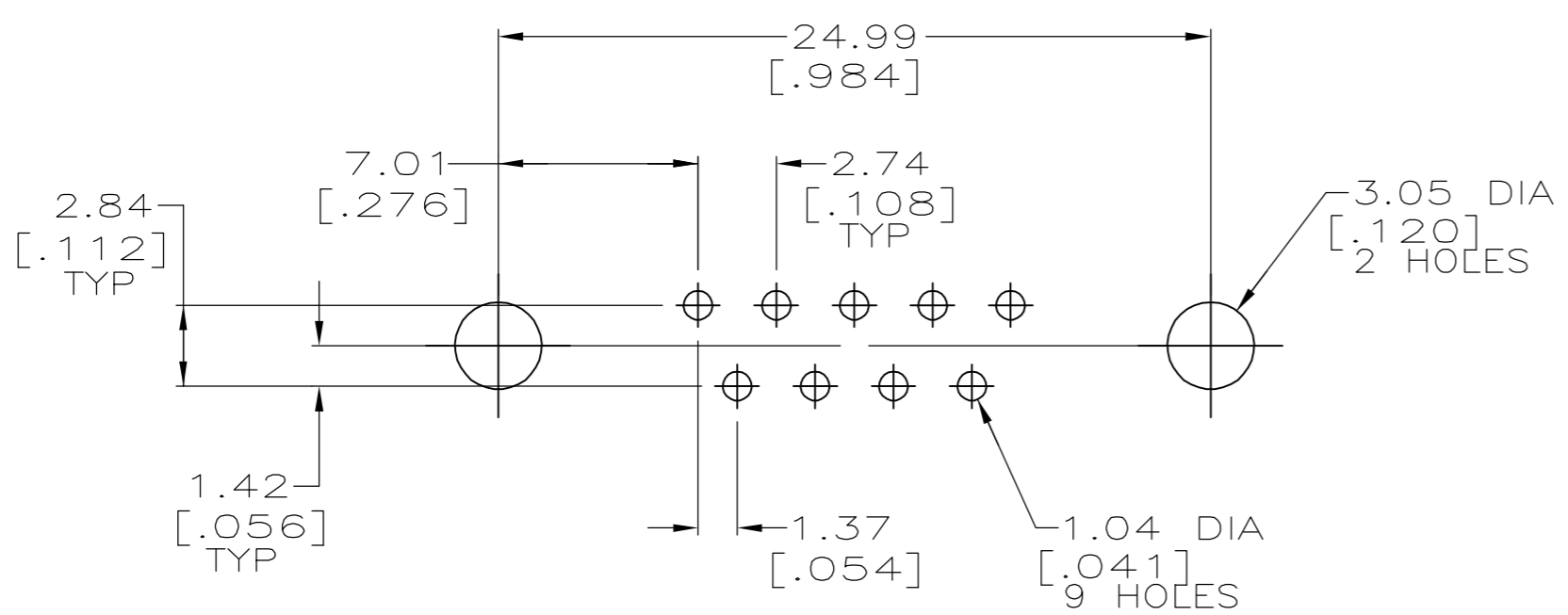
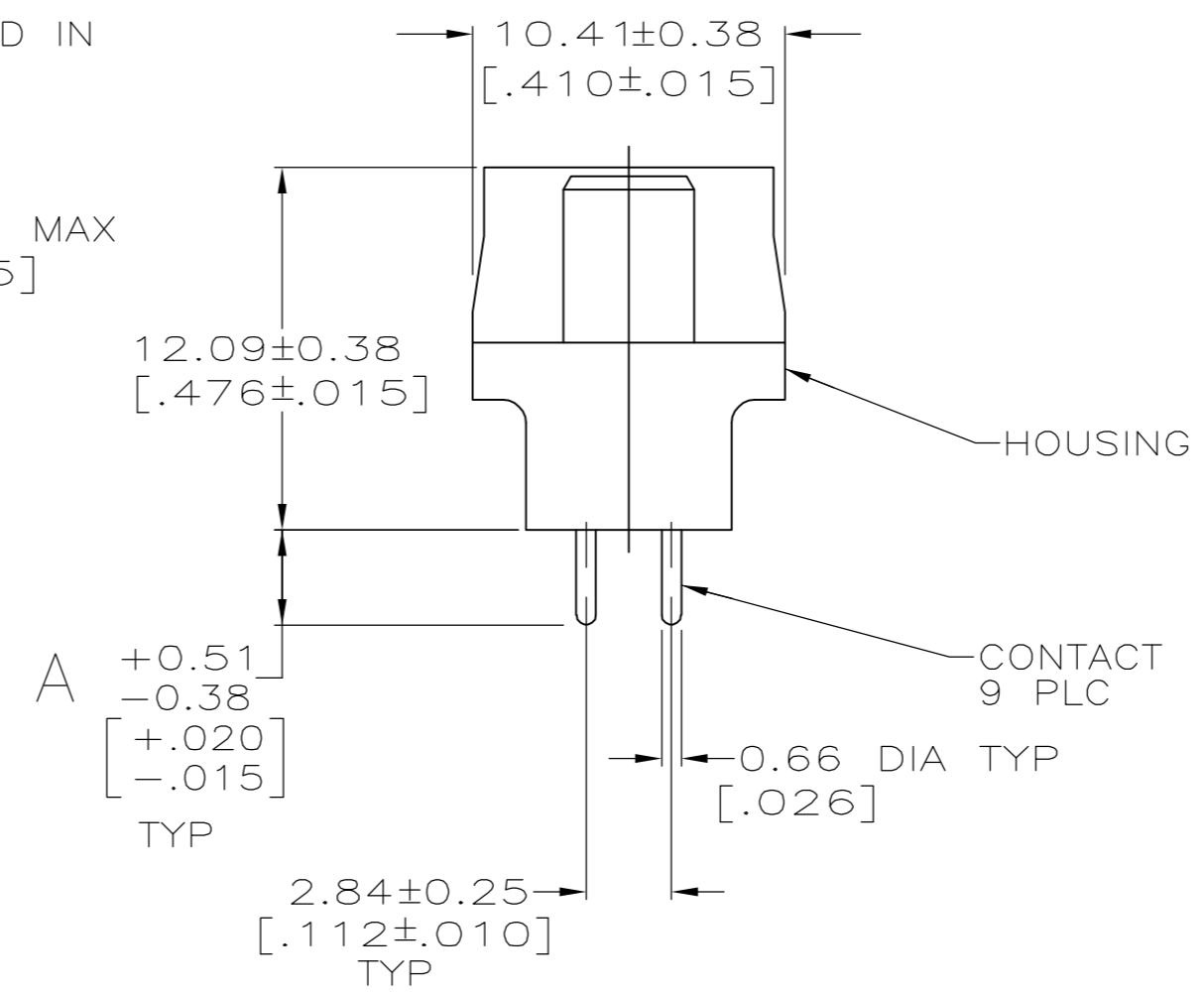
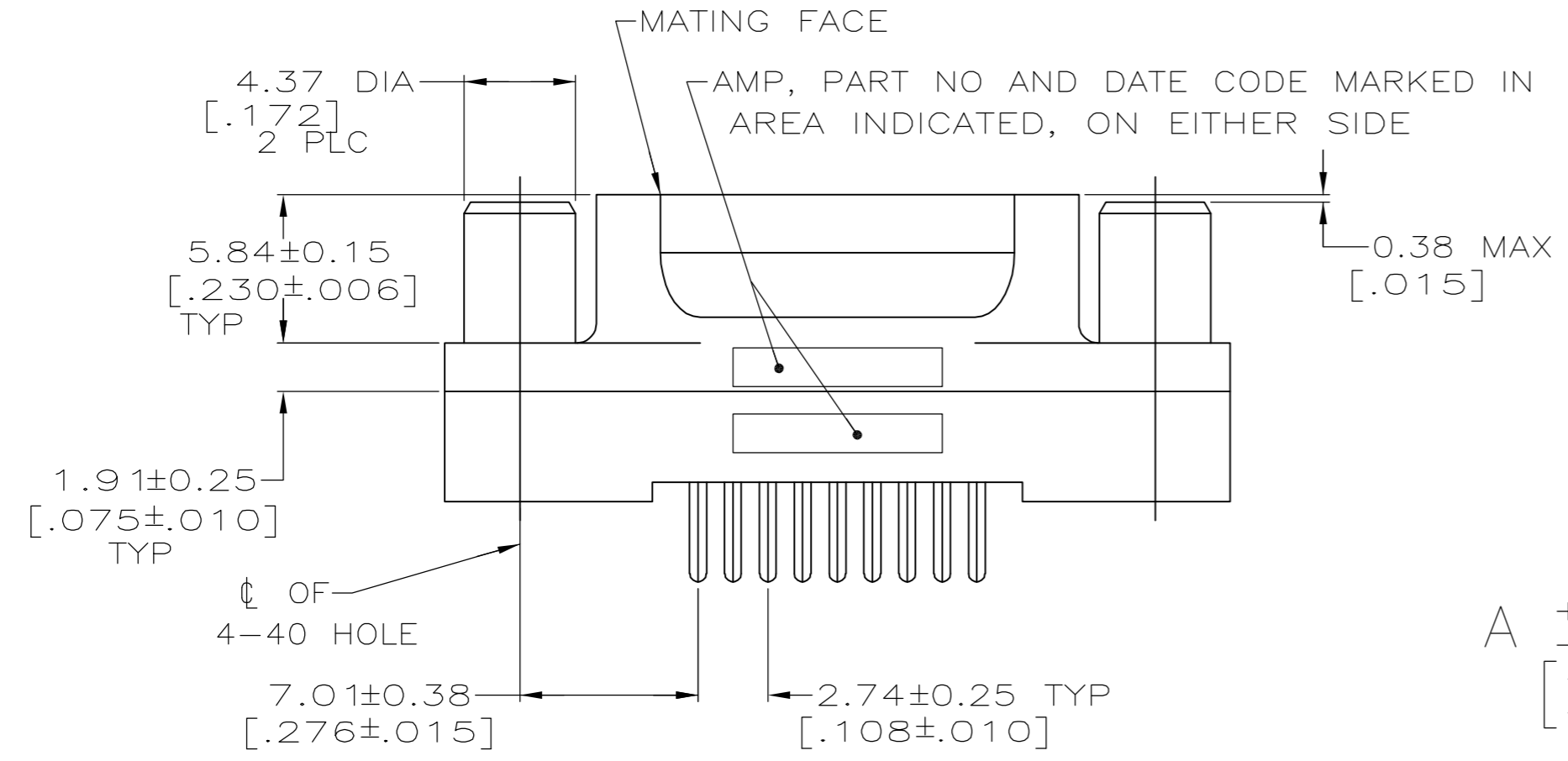


THIS DRAWING IS UNPUBLISHED. RELEASED FOR PUBLICATION
 © COPYRIGHT BY TYCO ELECTRONICS CORPORATION. ALL RIGHTS RESERVED.

LOC	DIST	REVISIONS			
P	LTR	DESCRIPTION	DATE	DWN	APVD
GP	00				
	H	REVISED PER ECO-06-028338	11/DEC/06	ZMR	EDB



- ① HOUSING: BLACK POLYESTER, UL 94V-0 RATED;
CONTACTS: BRASS
SCREWLOCK: BRASS
- ② GOLD PLATED FOR LENGTH OF 3.81 [.150] MIN FROM MATING END, GOLD FLASH IN MATED AREA, 2.54μm [.000100] MIN TIN OR TIN-LEAD FOR A LENGTH OF DIMENSION A FROM OPPOSITE END, BOTH OVER 1.27μm [.000050] MIN NICKEL.
- ③ GOLD PLATED FOR LENGTH OF 3.81 [.150] MIN FROM MATING END, 0.76μm [.000030] MIN GOLD IN MATED AREA, 2.54μm [.000100] MIN TIN OR TIN-LEAD FOR A LENGTH OF DIMENSION A FROM OPPOSITE END, BOTH OVER 1.27μm [.000050] MIN NICKEL.
-OR-
GOLD FLASH OVER PALLADIUM NICKEL FOR A LENGTH OF 3.81 [.150] MIN FROM MATING END, 0.76μm [.000030] MIN PALLADIUM NICKEL IN MATED AREA, 2.54μm [.000100] MIN TIN OR TIN-LEAD FOR A LENGTH OF DIMENSION A FROM OPPOSITE END, BOTH OVER 1.27μm [.000050] MIN NICKEL.
- ④ 1.27μm [.000050] MIN NICKEL OVER COPPER FLASH.



RECOMMENDED PC BOARD MOUNTING DIMENSIONS

	DIMENSION A	CONTACT FINISH	PART NUMBER
OBSOLETE	6.35 [.250]	③	745071-6
OBSOLETE	6.35 [.250]	②	745071-5
	4.32 [.170]	③	745071-4
OBSOLETE	4.32 [.170]	②	745071-3
	3.18 [.125]	③	745071-2
	3.18 [.125]	②	745071-1

THIS DRAWING IS A CONTROLLED DOCUMENT.		DWN J McCLINTON 11-14-89	tyco Tyco Electronics Corporation	
DIMENSIONS: mm [INCHES]		CHK R.STONE 2-1-90	Harrisburg, PA 17105-3608	
TOLERANCES UNLESS OTHERWISE SPECIFIED:		APVD C. ROHDE 2-2-90	NAME	
0 PLC ± -	1 PLC ± -	PRODUCT SPEC	108-40025	
2 PLC ± 0.13 [.005]	3 PLC ± -	APPLICATION SPEC	PLUG ASSEMBLY, SIZE 1, 9 POSN, VERTICAL, AMPLIMITE® HD-20	
4 PLC ± -	ANGLES ± 2°	WEIGHT -	SIZE A2	CAGE CODE 00779
MATERIAL ①	FINISH SCREWLOCK ④	CUSTOMER DRAWING	DRAWING NO C=745071	RESTRICTED TO -
	CONTACT: SEE TABLE	SCALE NTS	SHEET 1 OF 1	REV H

单击下面可查看定价，库存，交付和生命周期等信息

[>>TE Connectivity\(泰科\)](#)