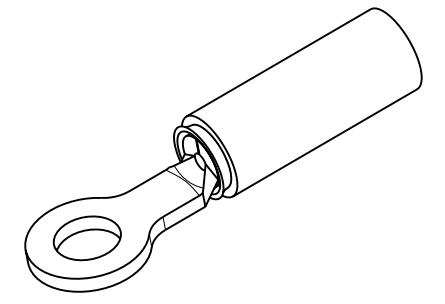
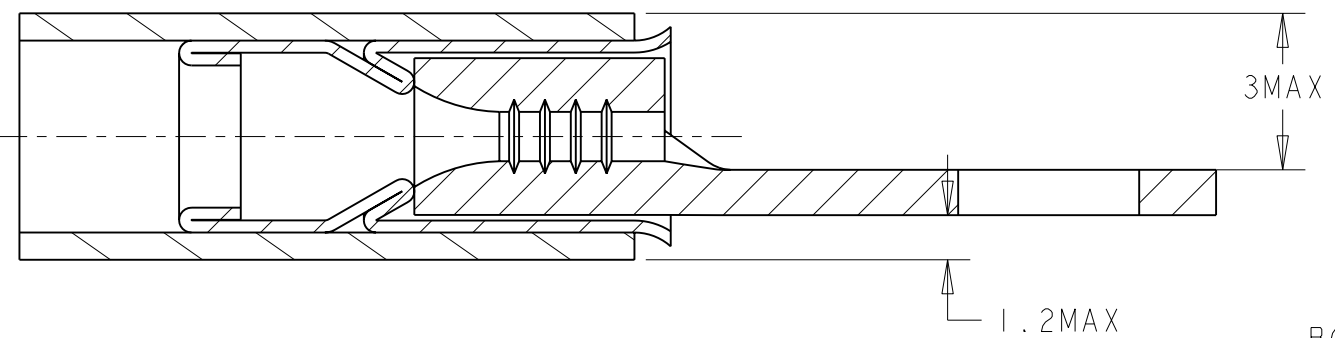


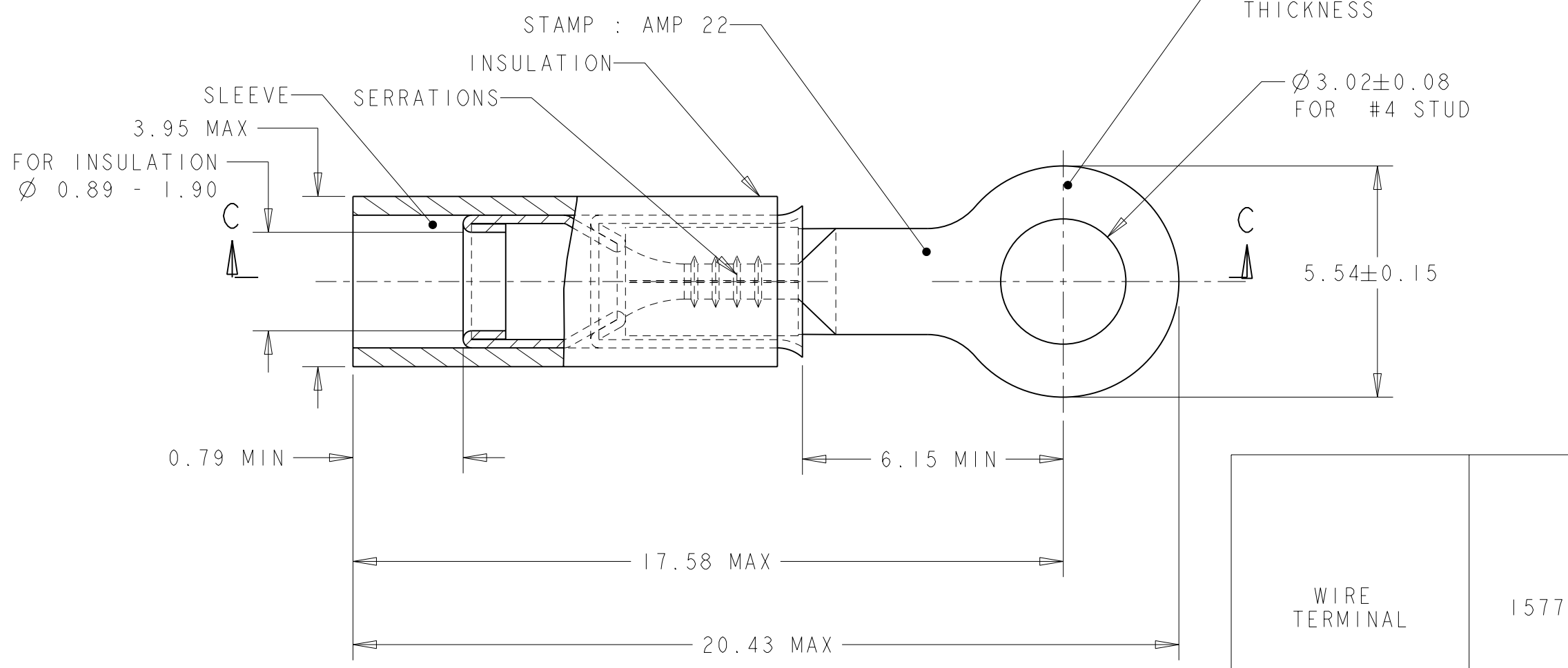
THIS DRAWING IS UNPUBLISHED. RELEASED FOR PUBLICATION 20  
 © COPYRIGHT 20 BY TYCO ELECTRONICS CORPORATION. ALL RIGHTS RESERVED.

LOC	DIST	REVISIONS			
P	LTR	DESCRIPTION	DATE	DWN	APVD
F	00	A	NEW RELEASE	20MAR2008	PK YP

COUPE C-C



SCALE 3:1



WIRE TERMINAL	1577960-1	BODY : COPPER ANNEALED FINISH : NICKEL PLATED
		SLEEVE : COPPER ANNEALED FINISH : NICKEL PLATED
		INSULATION : PEEK COLOR : BROWN
DESCRIPTION	PART NUMBER	MATERIAL & FINISH

<small>THIS DRAWING IS A CONTROLLED DOCUMENT FOR TYCO ELECTRONICS CORPORATION IT IS SUBJECT TO CHANGE AND THE CONTROLLING ENGINEERING ORGANIZATION SHOULD BE CONTACTED FOR THE LATEST REVISION.</small>		DWN 20MAR2008 PRAVEEN K	TYCO ELECTRONICS France SAS BP 30039, 95301 CERGY-PONTOISE Cedex	
DIMENSIONS: mm 		CHK 20MAR2008 G. ROBERT	NAME TERMINAL, PEEK PIDG STRATO, 24-22 AWG	
TOLERANCES UNLESS OTHERWISE SPECIFIED: 0 PLC ±- 1 PLC ±0.30 2 PLC ±- 3 PLC ±- 4 PLC ±- ANGLES ±5 FINISH SEE TABLE		APVD 20MAR2008 Y. PETRONIN	PRODUCT SPEC 108-15356	RESTRICTED TO
MATERIAL SEE TABLE		APPLICATION SPEC 114-15102	WEIGHT 0,61 gr	SIZE A3
		CUSTOMER DRAWING		SCALE 8:1
				SHEET 1 OF 1
				REV A

单击下面可查看定价，库存，交付和生命周期等信息

[>>TE Connectivity\(泰科\)](#)