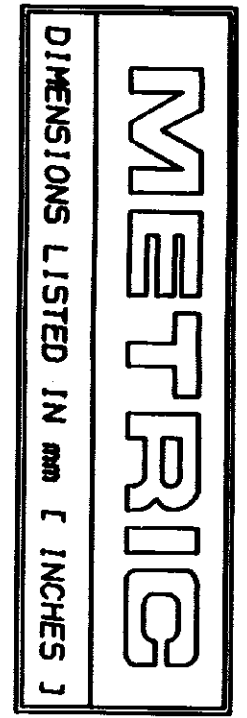
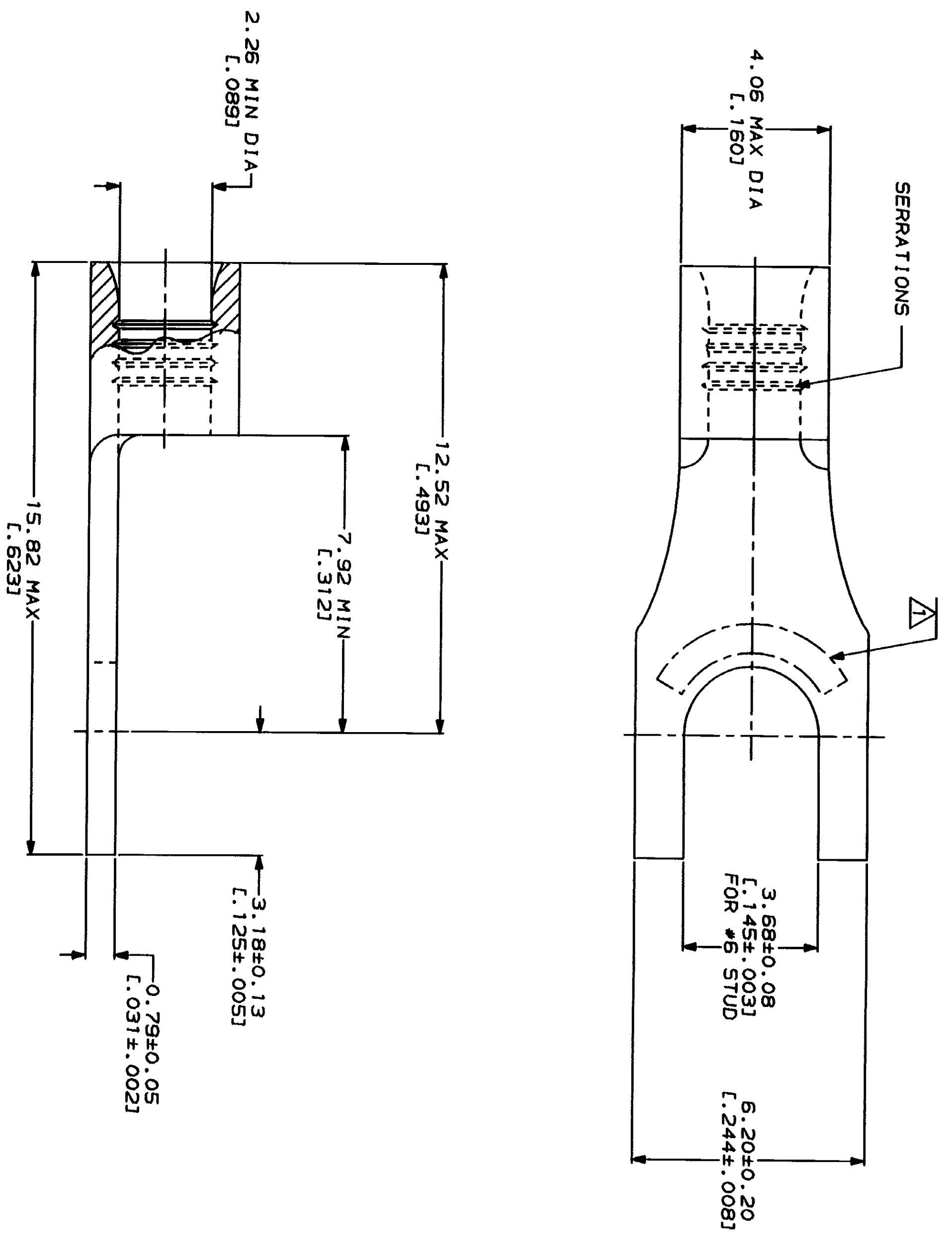


LOC	DIST	ZONE	LTR	REVISIONS	DATE	APPD
G	14		B	REVISED PER 0720-0230-93	2/25/94	DAV



AMP WIRE RANGE	UL E13288 Listed
16-14 AWG STRANDED	16-14 AWG STRANDED
LR7189 Certified	MILITARY P/N AND CLASS
NOT CERTIFIED	NOT APPLICABLE

△ STAMP AMP 16-14* APPROX AS SHOWN



AMP INCORPORATED
CUSTOMER SERVICE SYSTEMS

FOR ADDITIONAL
PRODUCT INFORMATION OR
COPIES OF DRAWINGS
AND TECHNICAL DOCUMENTS
1-800-522-6752

FOR APPLICATION
TOOLING ASSISTANCE CENTER
1-800-722-1111

FOR ORDER ENTRY
1-800-526-5142

MAX RECOMMENDED OPERATING
TEMPERATURE: 170°C MAX

VOLTAGE RATING:
NOT APPLICABLE

WIRE CROSS SECTIONAL AREA RANGE:
1.04-2.62mm² [2,050-5,180] CIR MILS
STRANDED

DO NOT SCALE PRINT.
UNLESS SPECIFIED
DIMENSIONS IN - FINISH -
TOLERANCES ON:
2 PLC DEC # -
3 PLC DEC # -
ANGLES # -

MATERIAL
COPPER PER
ASTM B-152
ANNEALED

FINISH
TIN PLATE
0.00254 [L.000100] MIN
THK PER MIL-T-10727

DR 2-17-93
TA BRINKMAN

CHK 2-17-93
DA PATTERSON

APPD 2-17-93
DE MILLER

AMP Incorporated
Harrisburg, PA 17105-3508

NAME
TERMINAL, SPADE TONGUE,
BUDGET

SIZE CAGE CODE DRAWING NO
SCALE 10:1 00779 G-33221

CUSTOMER DRAWING

单击下面可查看定价，库存，交付和生命周期等信息

[>>TE Connectivity\(泰科\)](#)