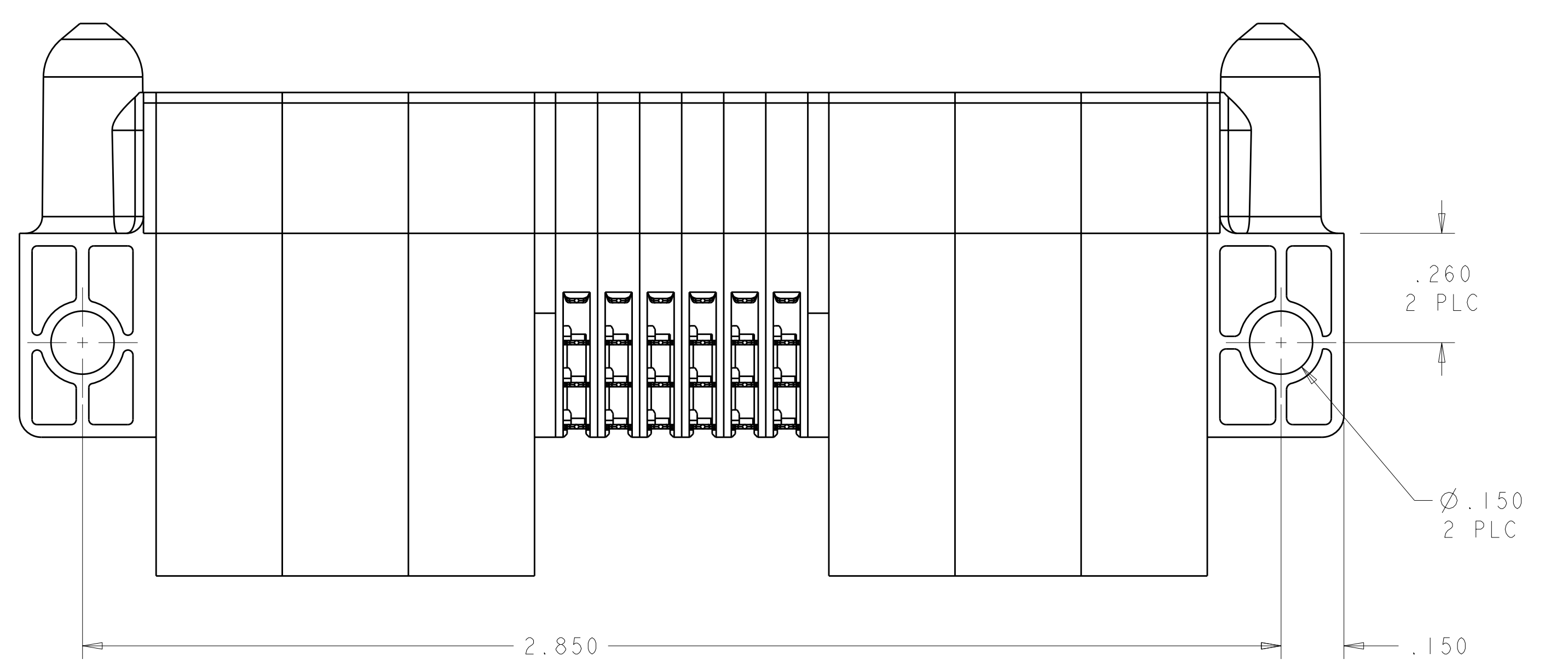
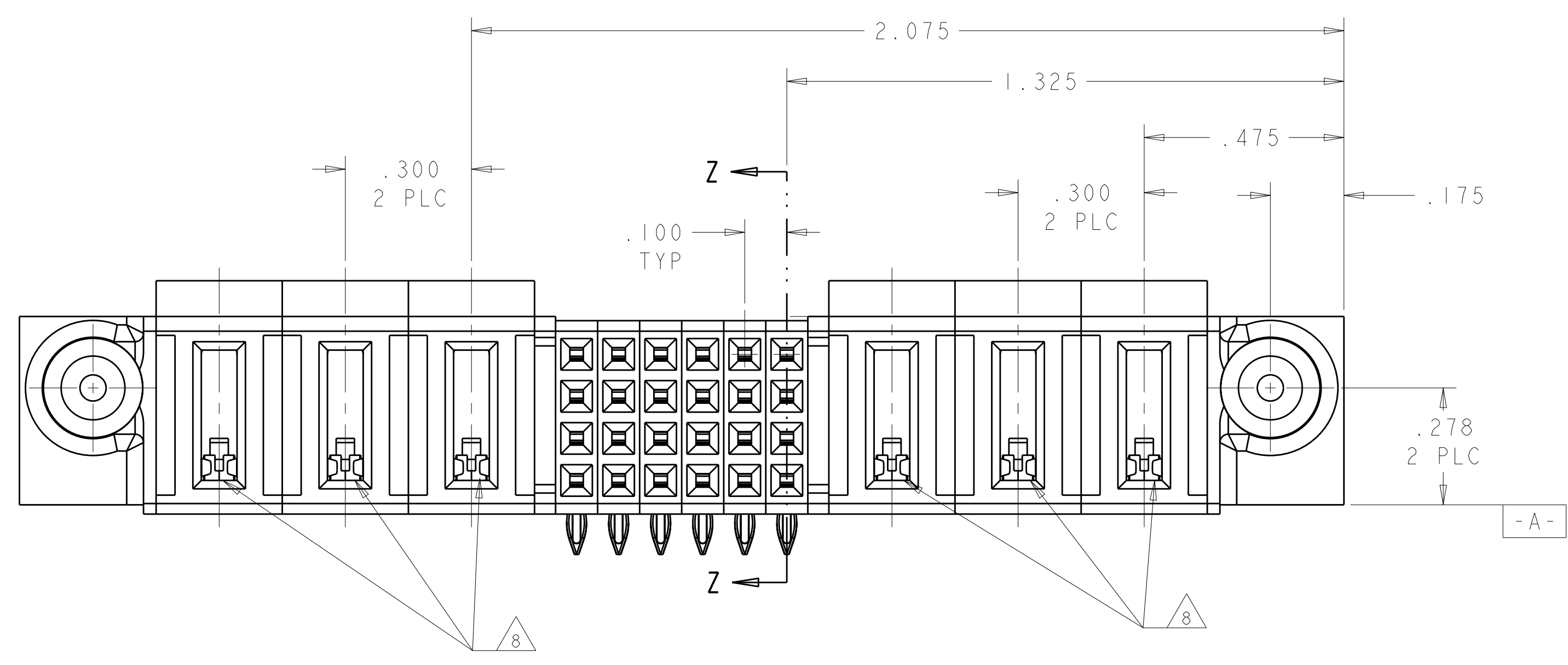
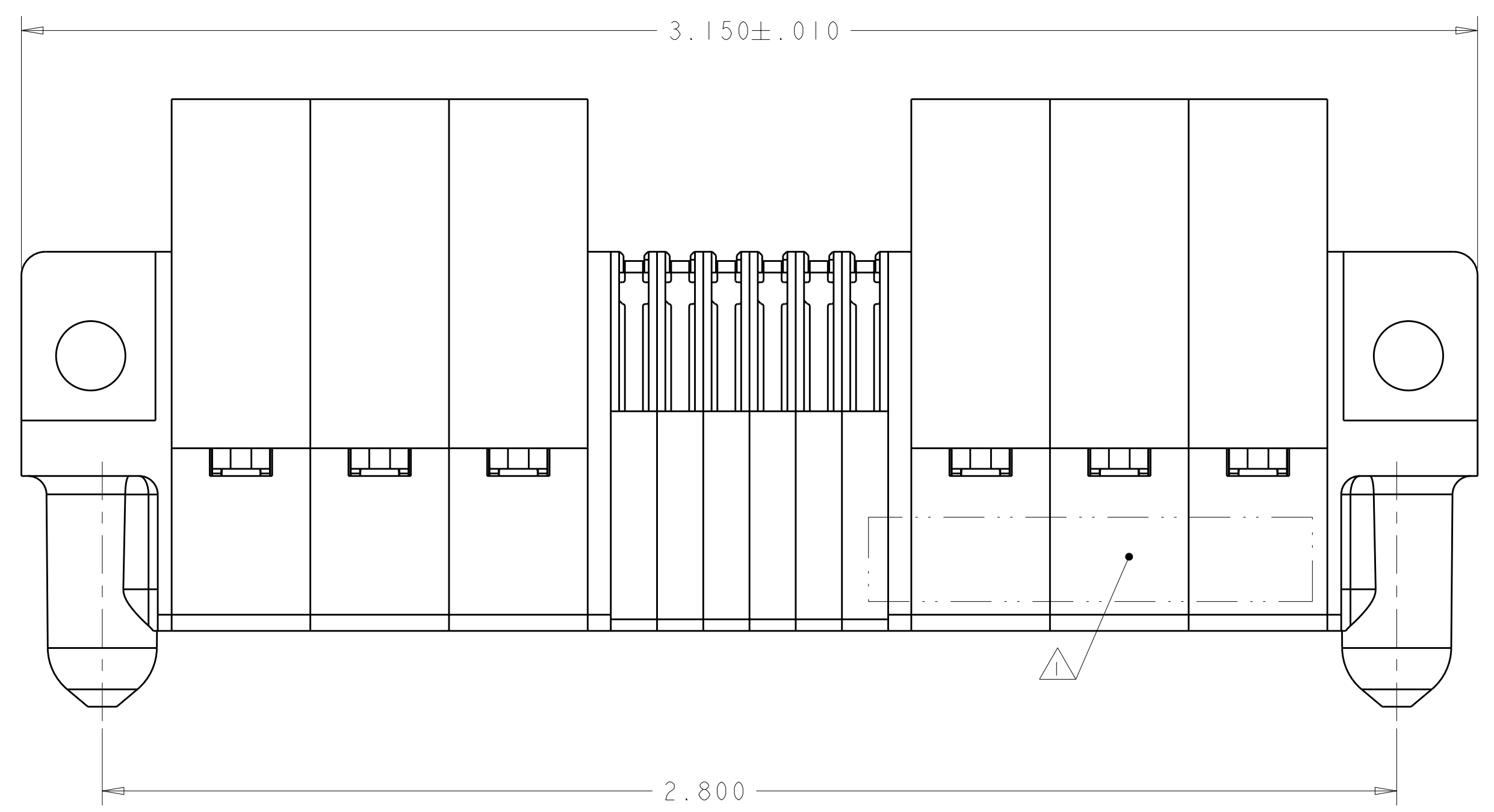
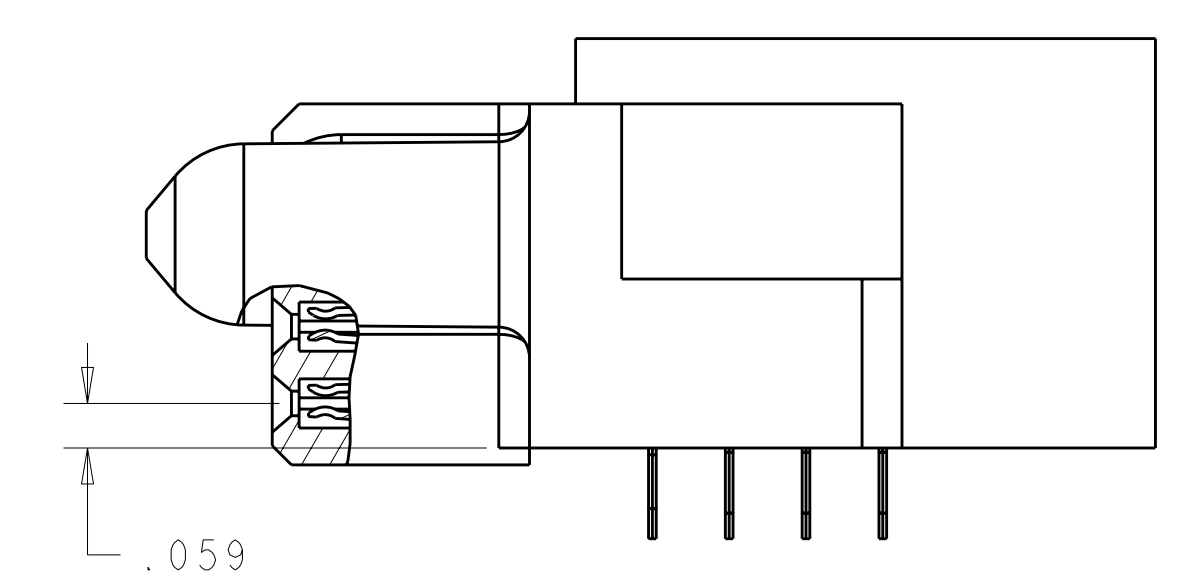
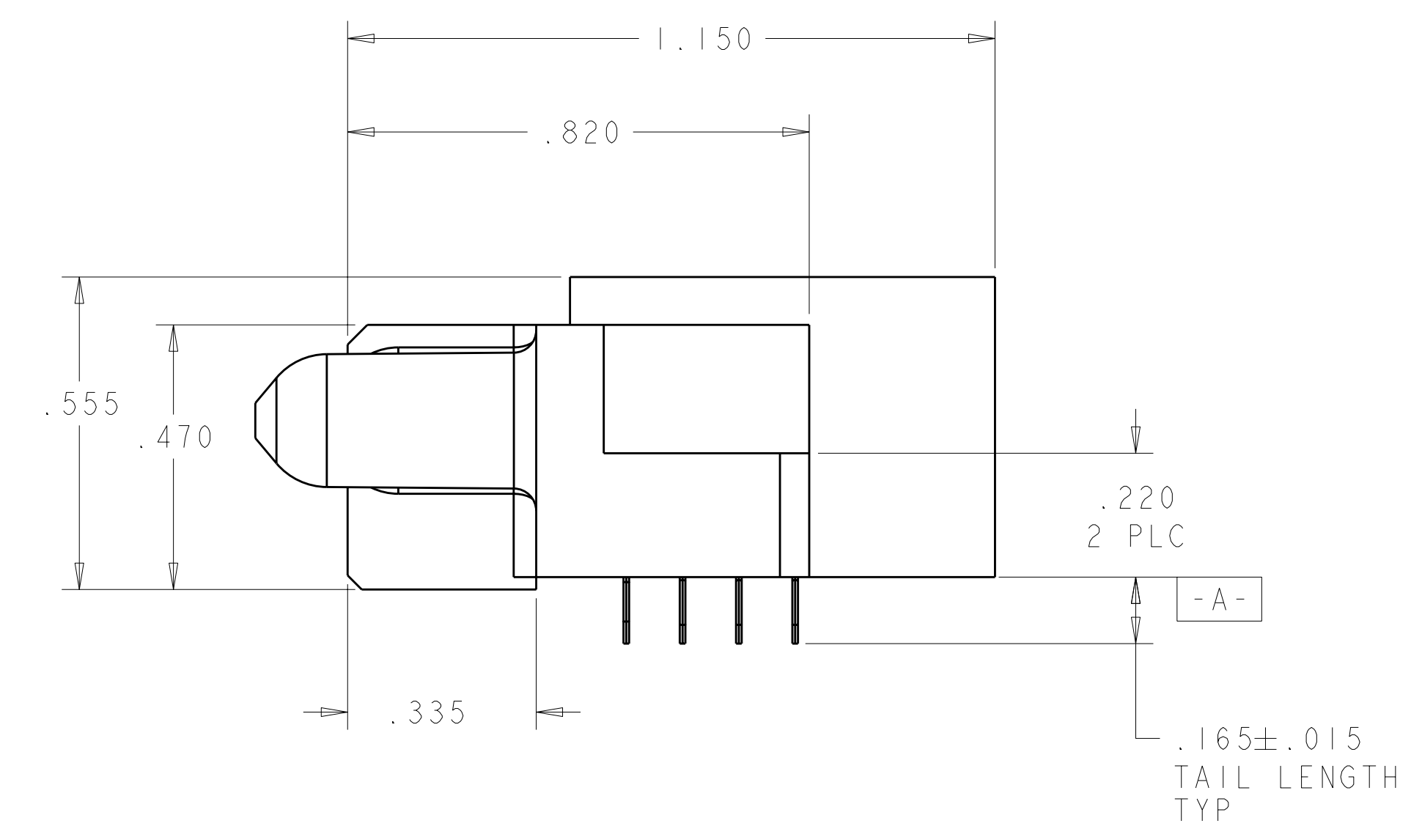


LOC	DIST	REV	DATE	BY	APPD
ES	00	A	6AUG2007	DZ	SY



- △ "AMP", PART NUMBER AND DATE CODE TO BE MARKED
- △ MATERIAL: HOUSING - GLASS FILLED HIGH TEMP THERMO PLASTIC, UL94 V-0, BLACK.
SIGNAL CONTACT - HIGH CONDUCTIVITY COPPER ALLOY
- △ CONTACT PLATING: SIGNAL CONTACTS - .000050 MIN Ni UNDER ALL.
.000030 MIN Au ON CONTACT AREA
.000100 MIN Sn AT PCB INTERFACE.
- △ MECHANICAL CONNECTOR KEEP OUT ZONE.
- △ DATUM AND BASIC DIMENSIONS ESTABLISHED BY CUSTOMER.
- △ PCB - ALL HOLE DIAMETERS ARE FINISHED HOLE SIZES
- △ PCB - .0453±.0010 DRILLED HOLES PLATED WITH .0003 MIN Sn
OVER .001 TO .003 Cu PLATING TO ACHIEVE A .040 DIAMETER HOLE
- △ A/C POWER CABLE CONTACT LOADED IN THESE CAVITIES.

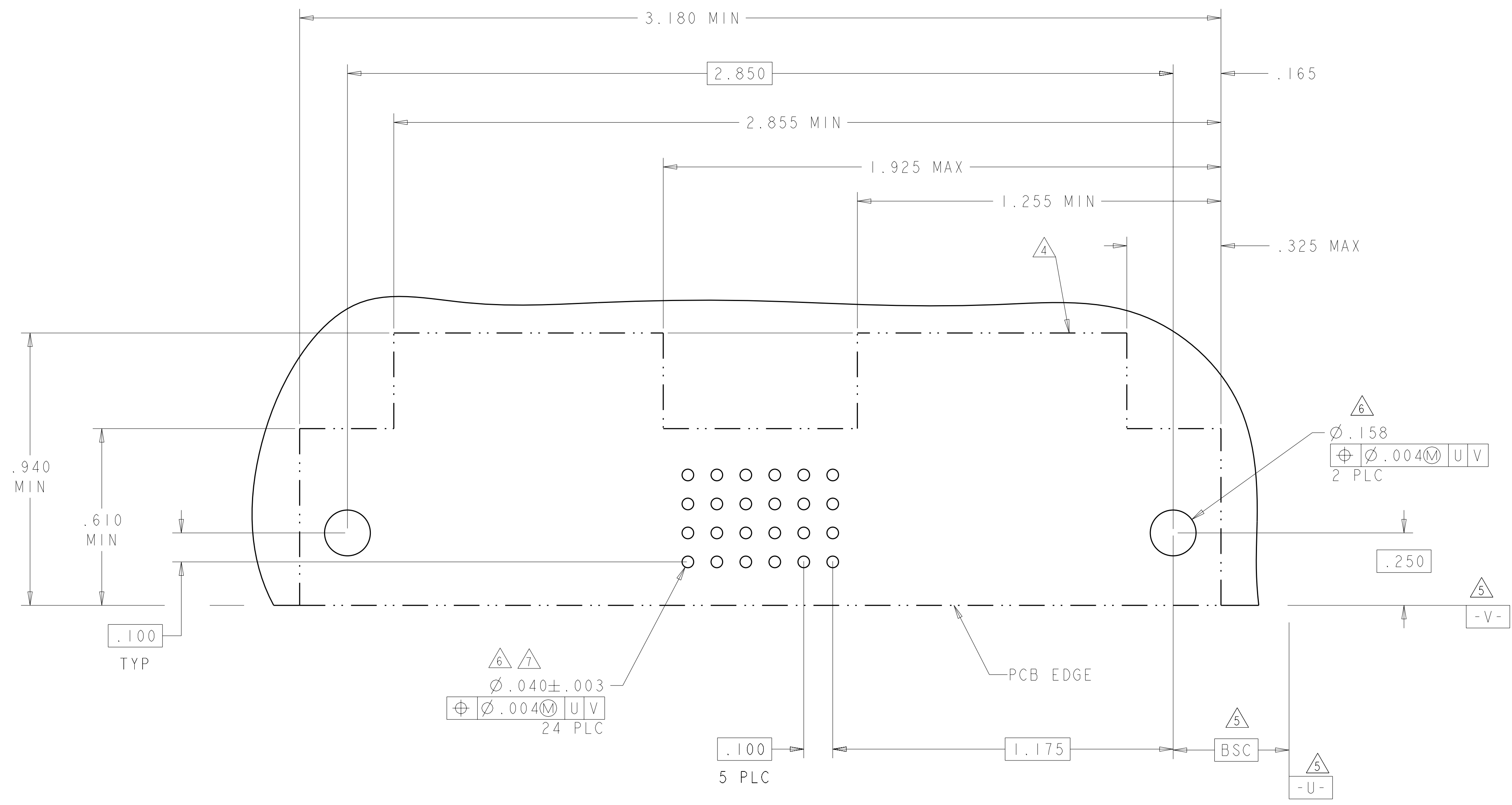
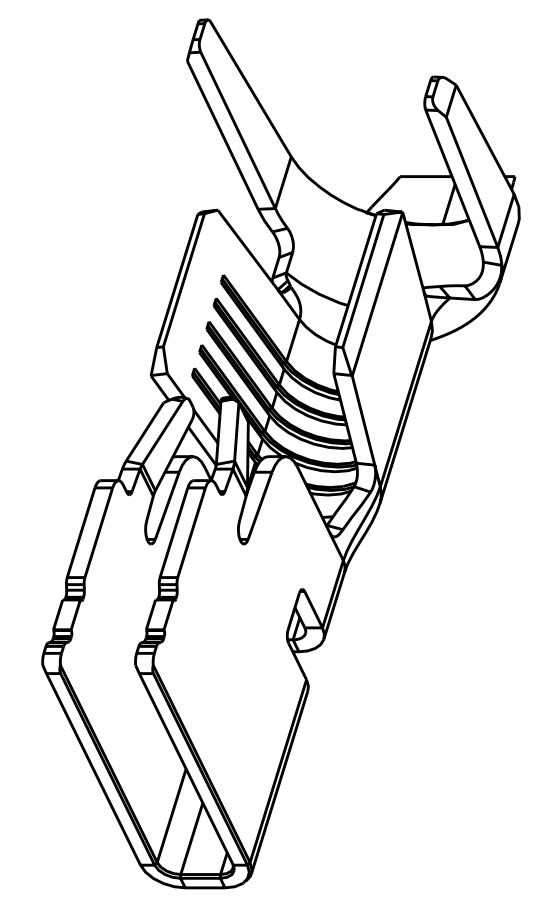


SECTION Z-Z

3ACP + 24S + 3ACP		1888179-1	
DESCRIPTION		PART NUMBER	
Tyco Electronics Corporation ShangHai, P.R.China, 200233			
DIMENSIONS: INCHES TOLERANCES UNLESS OTHERWISE SPECIFIED: 9 PLC ±.01 5 PLC ±.005 4 PLC ±.0020 #2 ANGLES #2		DWN: D. ZHU CHK: S. ZHAO APVD: S. YAO PRODUCT SPEC: 108-1973 APPLICATION SPEC: 114-13038 WEIGHT: - CUSTOMER DRAWING	
NAME: RIGHT ANGLE RECEPTACLE ASSEMBLY A/C PASS THRU W/GUIDES MULTI-BEAM XL		SIZE: A CAGE CODE: 00779 DRAWING NO: C=1888179 SCALE: 4:1 SHEET: 1 OF 2 REV: A	

LOC	DIST	REV	DESCRIPTION	DATE	DWN	APVD
ES	00	-	SEE SHEET 1	-	-	-

PART NUMBER	ROWS	POWER			SIGNAL						POWER				
		P6	P5	P4	6	5	4	3	2	1	P3	P2	P1		
1888179-1	D C B A	STD	STD	STD	DD	DD	DD	DD	DD	DD	DD	DD	STD	STD	MFBL
3ACP + 24S + 3ACP					CC	CC	CC	CC	CC	CC	CC	CC			
					BB	BB	BB	BB	BB	BB	BB	BB			
					AA	AA	AA	AA	AA	AA	AA	AA			



CODE	DESCRIPTION	ROW
DD	SIGNAL CONTACT, PRESS FIT	D
CC	SIGNAL CONTACT, PRESS FIT	C
BB	SIGNAL CONTACT, PRESS FIT	B
AA	SIGNAL CONTACT, PRESS FIT	A

DIMENSIONS: INCHES 		TOLERANCES UNLESS OTHERWISE SPECIFIED: 9 PLC ±. 8 PLC ±.01 5 PLC ±.005 4 PLC ±.0020 ANGLES #2 FINISH -		DWN D. ZHU 6AUG2007 CHK S. ZHAO 6AUG2007 APVD S. YAO NAME S. YAO PRODUCT SPEC 108-1973 APPLICATION SPEC 114-13038 WEIGHT - CUSTOMER DRAWING		Tyco Electronics Corporation Shanghai, P.R. China, 200233 RIGHT ANGLE RECEPTACLE ASSEMBLY A/C PASS THRU W/GUIDES MULTI-BEAM XL SIZE CAGE CODE DRAWING NO RESTRICTED TO A11 00779 C=1888179 SCALE 4:1 SHEET 2 OF 2 REV A	
---------------------------	--	--	--	--	--	--	--

单击下面可查看定价，库存，交付和生命周期等信息

[>>TE Connectivity\(泰科\)](#)