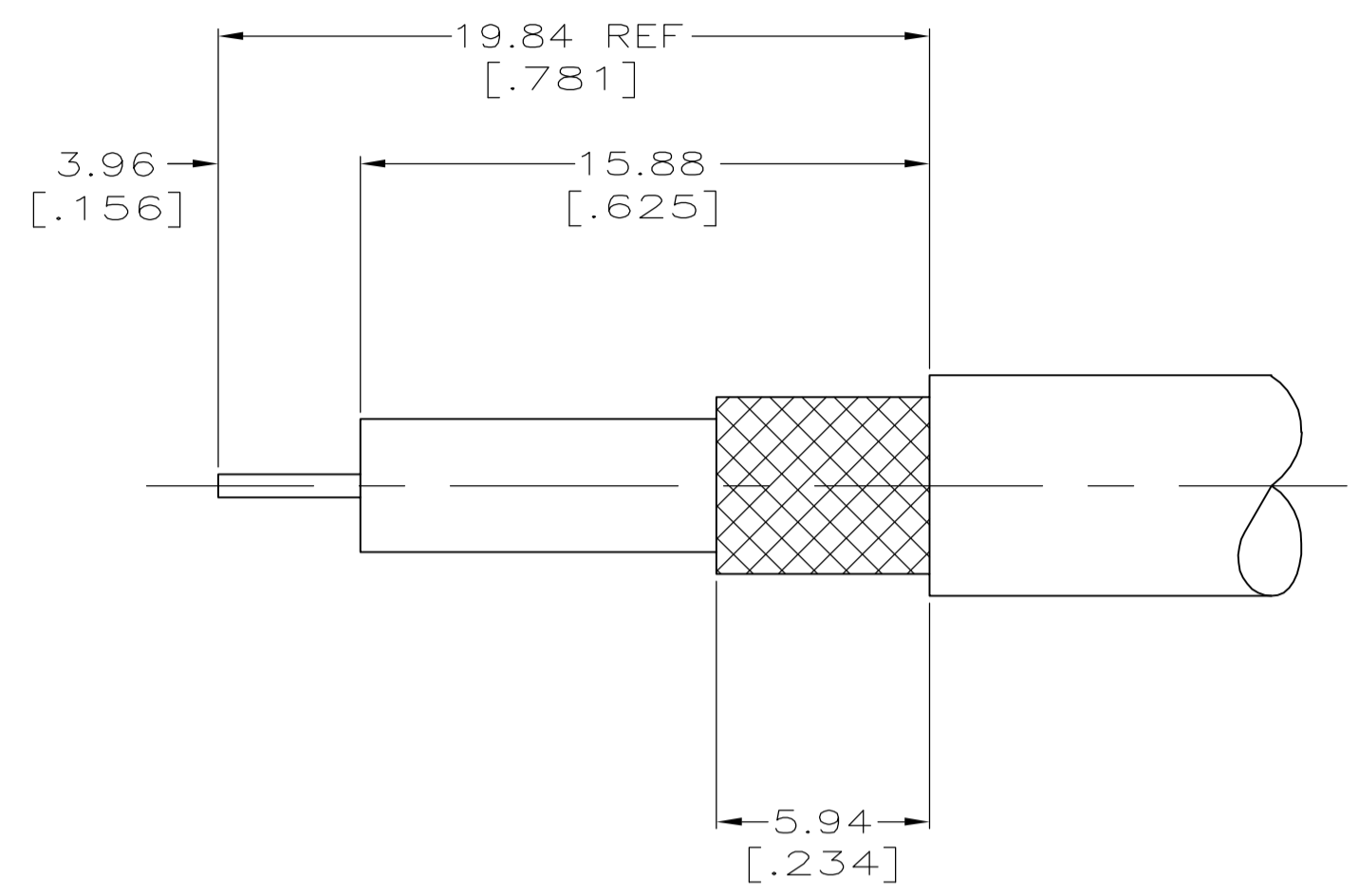
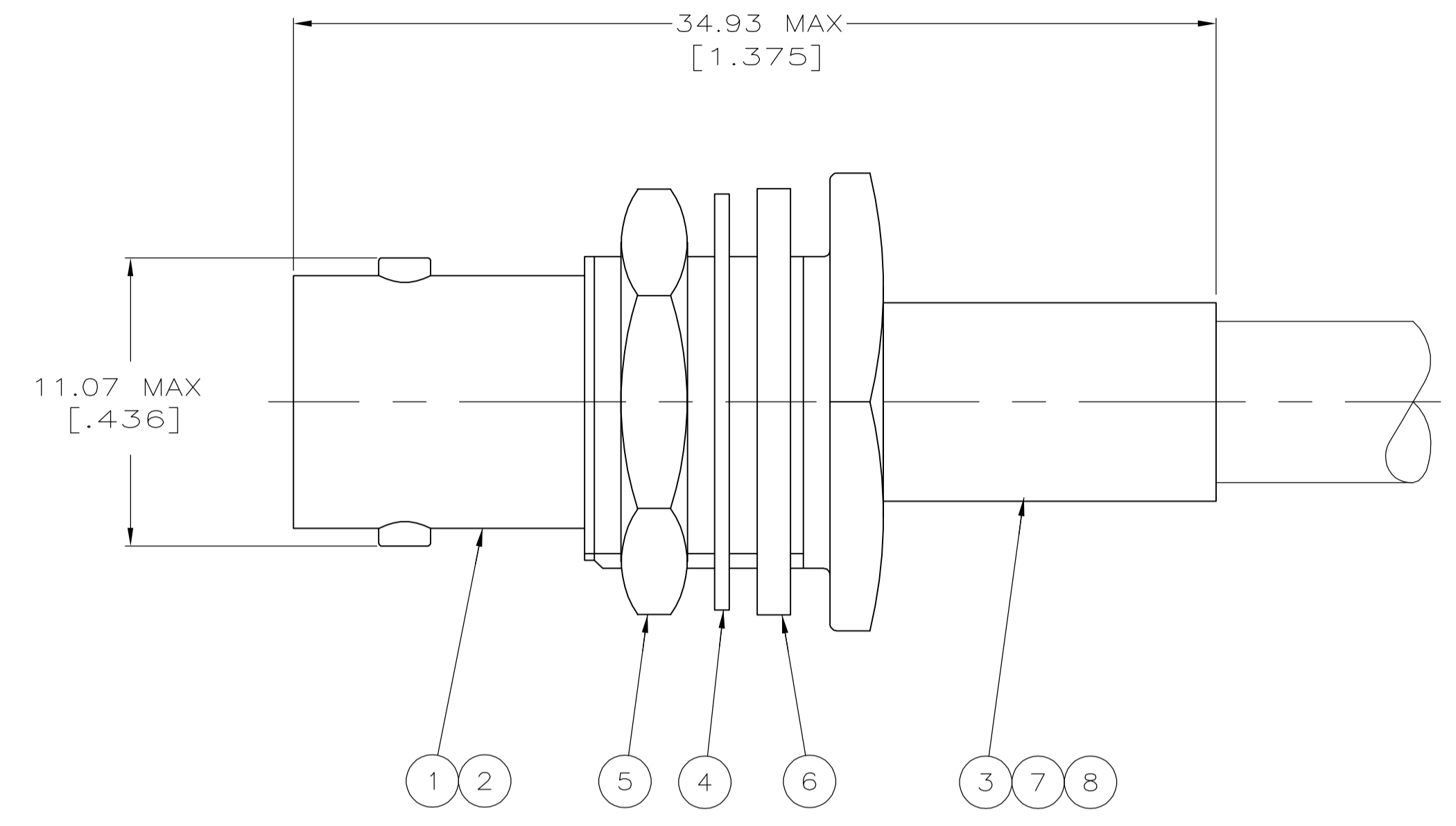
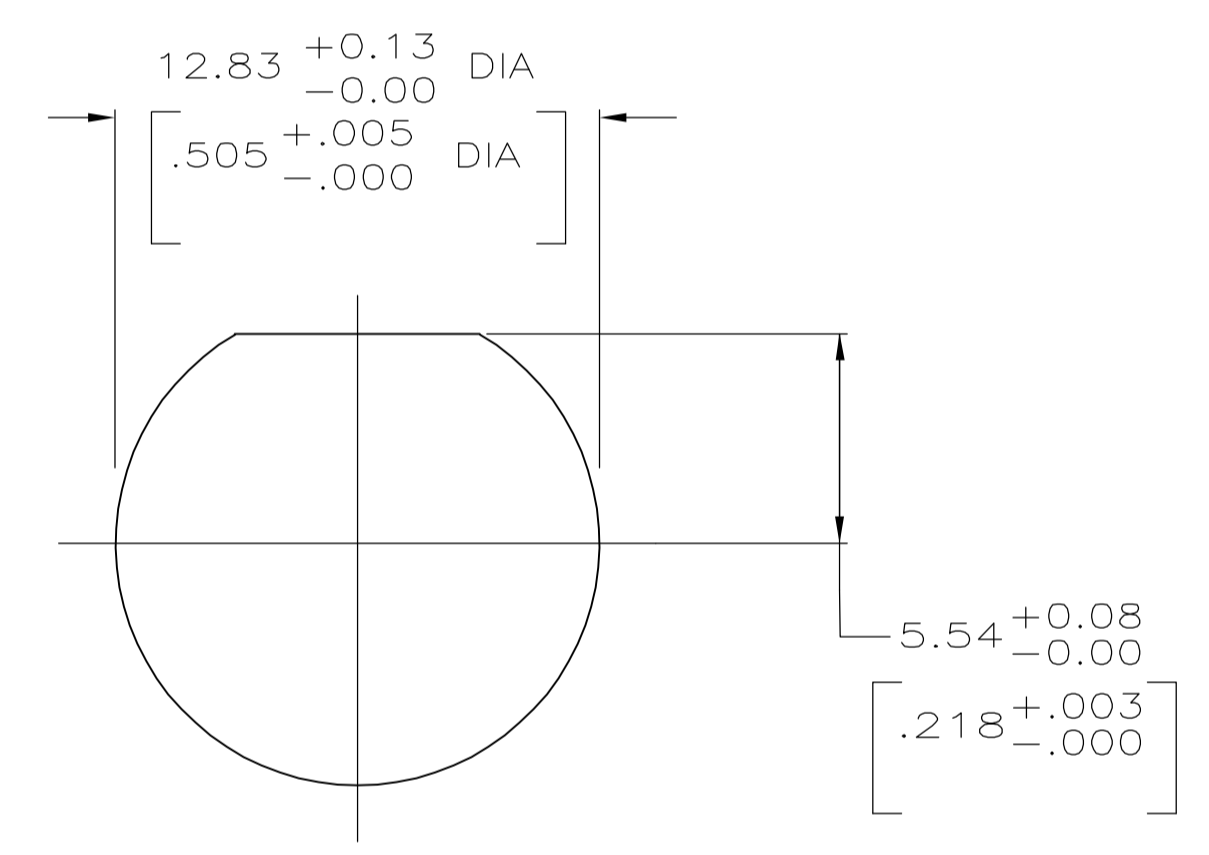


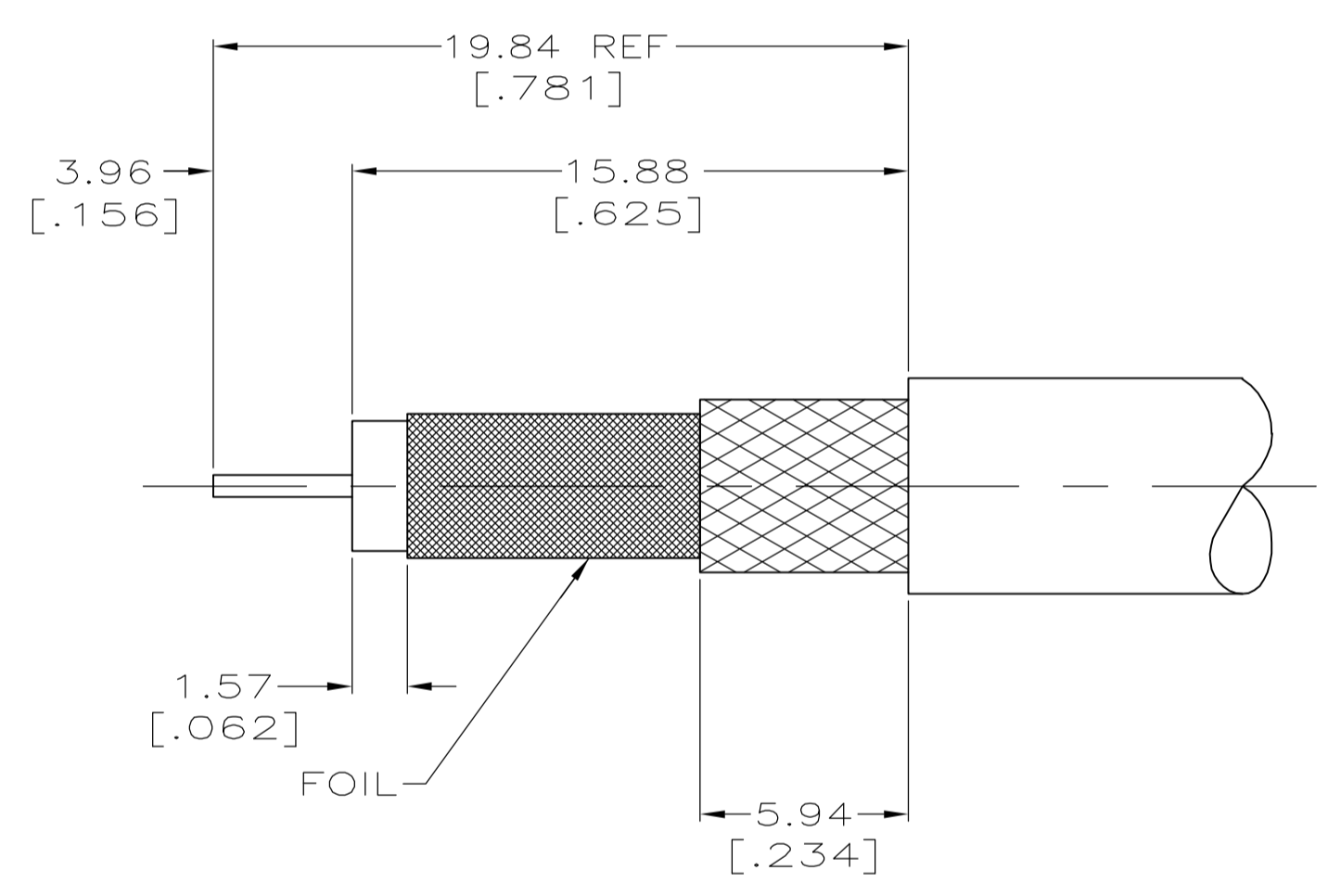
- USE INSTRUCTION SHEET 9089
- MAXIMUM PANEL THICKNESS: 6.10 [.240]
- DIELECTRIC MUST WITHSTAND A 6 POUND PUSHOUT FORCE
- PACKAGED 1 CONNECTOR PER BAG
- USE CRIMP TOOL: 220190-1



RECOMMENDED STRIP LENGTH



RECOMMENDED PANEL CUTOUT



RECOMMENDED STRIP LENGTH FOR 221221-9 ONLY

| | | | | | | | | | | | |
|----------|---|---------|-------------------------|-----------------------|----------------|-----------------|---------------------|-----------------|-----------------|-----------------------|-------------|
| OBSOLETE | RG-59/U, 59A/U, 59B/U | 58085-1 | - | - | 329633 | 1-329631-2 | 1-329632-2 | 9-50428-0 | 221200-3 | 221255-2 | 9-221221-0 |
| OBSOLETE | RG-179/U, 179A/U, 179B/U, 187/U, 187A/U | 58304-1 | 227194-2 | 222001-6 | 329633 | 1-329631-2 | 1-329632-2 | 9-328666-0 | 2-221200-0 | 221255-3 | 1-221221-0 |
| OBSOLETE | AT&T 735A | 58174-1 | - | - | 329633 | 1-329631-2 | 1-329632-2 | 9-328666-2 | 221200-9 | 221255-3 | 221221-9 |
| OBSOLETE | CUSTOM CABLE: (C&M CABLE 25785) | 58304-4 | - | - | 329633 | 1-329631-2 | 1-329632-2 | 3-328666-6 | 221200-6 | 221255-4 | 221221-8 |
| | BELDEN 9240, 9259, 9266 | 58085-1 | - | - | 329633 | 1-329631-2 | 1-329632-2 | 9-50428-0 | 2-221200-5 | 221255-2 | 221221-7 |
| OBSOLETE | RG-59/U, 59A/U, 59B/U | 58085-1 | - | - | 329633 | 1-329631-2 | 1-329632-2 | 9-50428-0 | 221200-3 | 221255-2 | 221221-6 |
| | RG-179/U, 179A/U, 179B/U, 187/U, 187A/U | 58304-1 | 227194-2 | 222001-6 | 329633 | 1-329631-2 | 1-329632-2 | 9-328666-0 | 2-221200-0 | 221255-3 | 221221-5 |
| OBSOLETE | BELDEN 8218 | 58174-1 | - | - | 329633 | 1-329631-2 | 1-329632-2 | 9-329461-0 | 221200-9 | 221255-3 | 221221-3 |
| | RG-59/U, 59A/U, 59B/U | 58085-1 | - | - | 329633 | 1-329631-2 | 1-329632-2 | 9-50428-0 | 221200-3 | 221255-2 | 221221-2 |
| | BELDEN 9248 AND MADISON 18AWG | 58086-1 | - | - | 329633 | 1-329631-2 | 1-329632-2 | 9-50427-0 | 3-221200-2 | 221255-1 | 221221-1 |
| | CABLE | DIE SET | ⑧ TUBING, PLASTIC QTY=1 | ⑦ TUBING, METAL QTY=1 | ⑥ GASKET QTY=1 | ⑤ JAM NUT QTY=1 | ④ LOCK WASHER QTY=1 | ③ FERRULE QTY=1 | ② CONTACT QTY=1 | ① JACK ASSEMBLY QTY=1 | PART NUMBER |

THIS DRAWING IS A CONTROLLED DOCUMENT.

| | | | | | |
|-------------------------|--|-----------------------|-------------------------|---------------------------|-----------------------------------|
| DIMENSIONS: mm [INCHES] | TOLERANCES UNLESS OTHERWISE SPECIFIED: | DWG BY: SCOTT 1-16-91 | CHK: J. LIPPERT 1-25-91 | APVD: M. PHILLIPS 1-25-91 | NAME: JACK, BULKHEAD, 75 OHM, BNC |
| 0 PLC ± - | 1 PLC ± - | 2 PLC ± 0.41 [016] | 3 PLC ± - | 4 PLC ± - | ANGLES ± - |
| MATERIAL: - | FINISH: - | SIZE: A1 | SCALE: 5:1 | WEIGHT: - | SHEET: 1 OF 1 |
| CUSTOMER DRAWING | | DRAWING NO: 00779 | DRAWING NO: 221221 | RESTRICTED TO: - | |

tyco Electronics Tyco Electronics Corporation Harrisburg, PA 17105-3608

单击下面可查看定价，库存，交付和生命周期等信息

[>>TE Connectivity\(泰科\)](#)