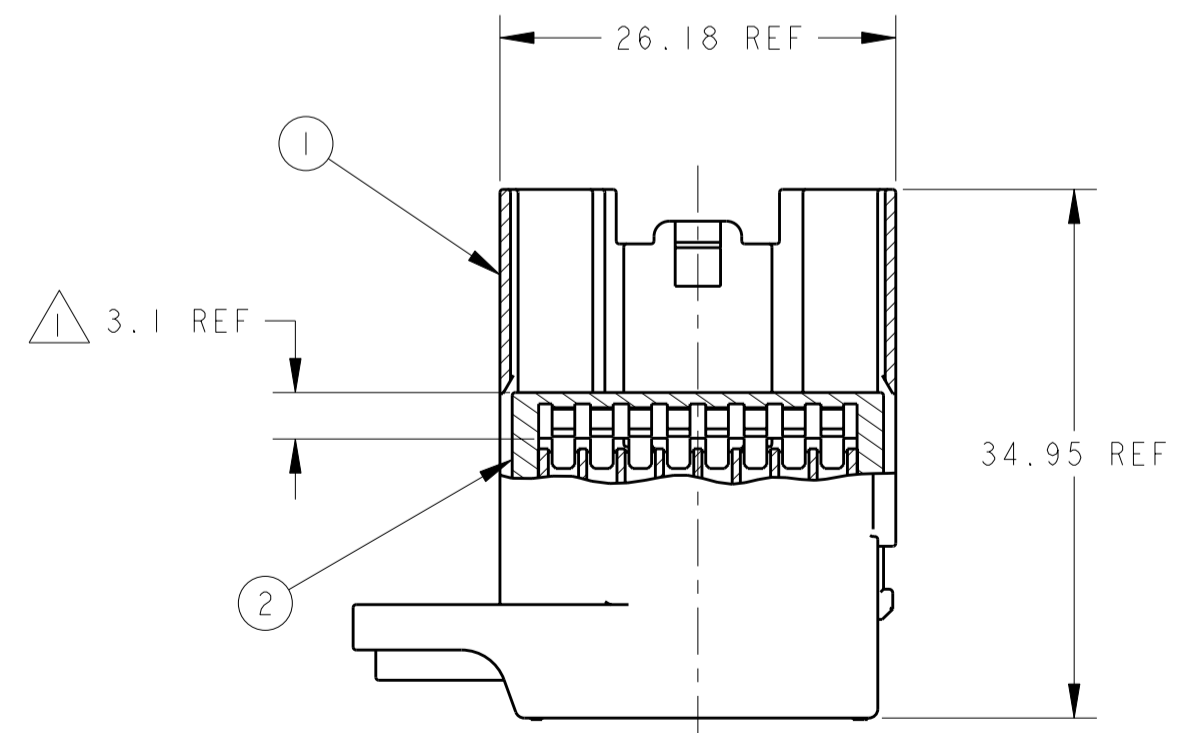
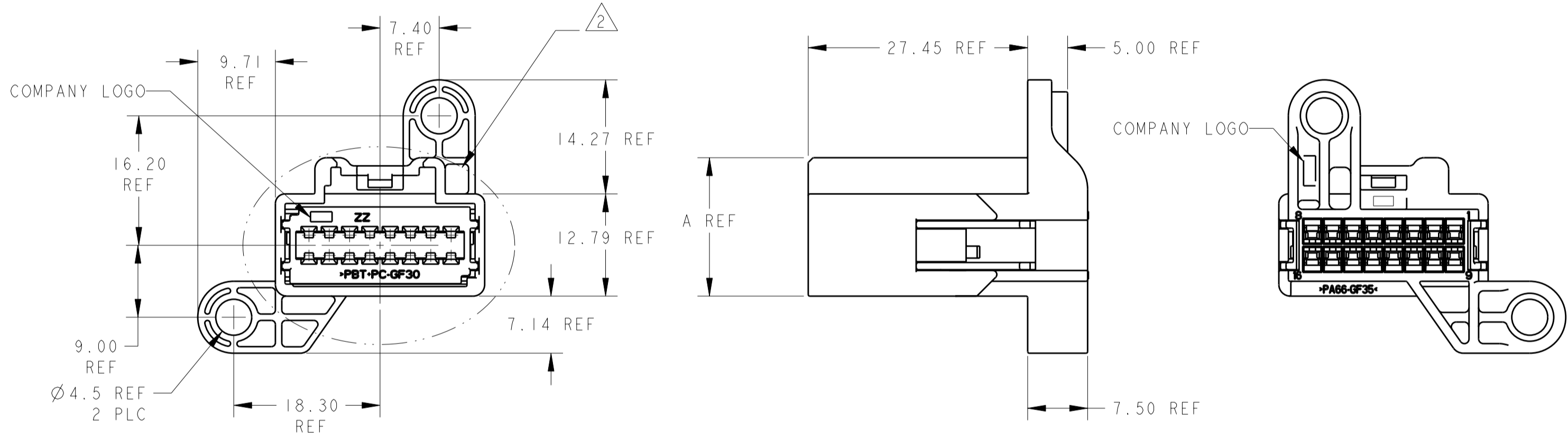
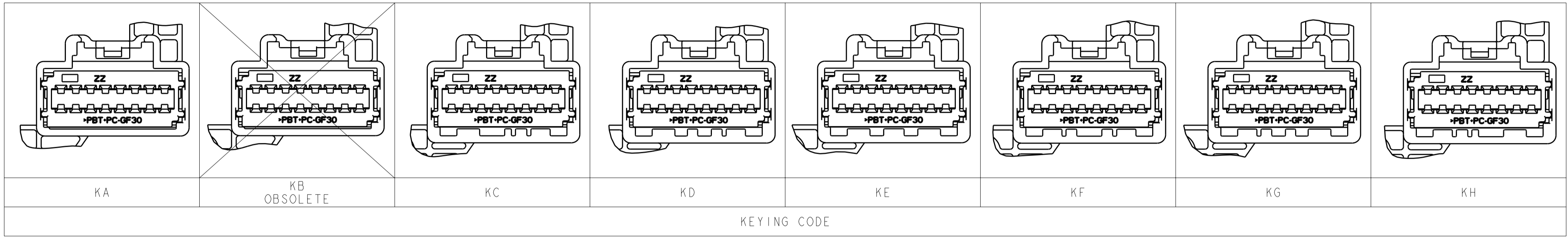


THIS DRAWING IS UNPUBLISHED. RELEASED FOR PUBLICATION 20
 © COPYRIGHT 20 BY TYCO ELECTRONICS CORPORATION. ALL RIGHTS RESERVED.

LOC	DIST	REVISIONS			
P	LTR	DESCRIPTION	DATE	DWN	APVD
FX	00				
A		REVISED PER EC 0K3G-0035-02	13FEB2002	MFF	AJS
A1		REVISED PER EC 0K3G-0228-02	20NOV2002	MBH	AJS
A2		REVISED PER ECR 06-020521	15SEP2006	DLD	DCS
A3		REV PER ECR-10-012906	24JUN2010	VSS	DZ



① TPA SHOWN IN PRE-LATCHED POSITION
 ② SEE KEYING CODE TABLE FOR VARIOUS KEYING CONFIGURATIONS

1438170-8	1438170-7	1438170-6	1438170-5	1438170-4	1438170-3	1438170-2	1438170-1	ASSEMBLY PART NUMBERS						
								2	TPA	N/A	sPS-GF30	RED		
								1	HEADER "KH"	18.52	sPS+PA66-GF30	BLACK		
								1	HEADER "KG"	18.52	sPS+PA66-GF30	BLACK		
								1	HEADER "KF"	18.52	sPS+PA66-GF30	BLACK		
								1	HEADER "KE"	18.52	sPS+PA66-GF30	BLACK		
								1	HEADER "KD"	18.52	sPS+PA66-GF30	BLACK		
								1	HEADER "KC"	18.52	sPS+PA66-GF30	BLACK		
								1	HEADER "KB"	17.32	sPS+PA66-GF30	BLACK		
								1	HEADER "KA"	17.32	sPS+PA66-GF30	BLACK		
									QUANTITY	ITEM	DESCRIPTION	DIM A	MATERIAL	COLOR

THIS DRAWING IS A CONTROLLED DOCUMENT FOR TYCO ELECTRONICS CORPORATION. IT IS SUBJECT TO CHANGE AND THE CONTROLLING ENGINEERING ORGANIZATION SHOULD BE CONTACTED FOR THE LATEST REVISION.

DWN: J.R. SHUEY 26OCT2001
 CHK: A.J. SHUMAN 29OCT2001
 APVD: A.J. SHUMAN 29OCT2001

Tyco Electronics
 Harrisburg, PA 17105-3608

NAME: PLUG ASSEMBLY, 2 X 8 INLINE, MALE WITH MOUNTING EARS

SIZE: A2 CAGE CODE: 00779 DRAWING NO: 1438170 RESTRICTED TO: []

MATERIAL: SEE CALLOUT

PRODUCT SPEC: -
 APPLICATION SPEC: -
 WEIGHT: -

CUSTOMER DRAWING

SCALE: 2:1 SHEET 1 OF 1 REV: A3

单击下面可查看定价，库存，交付和生命周期等信息

[>>TE Connectivity\(泰科\)](#)