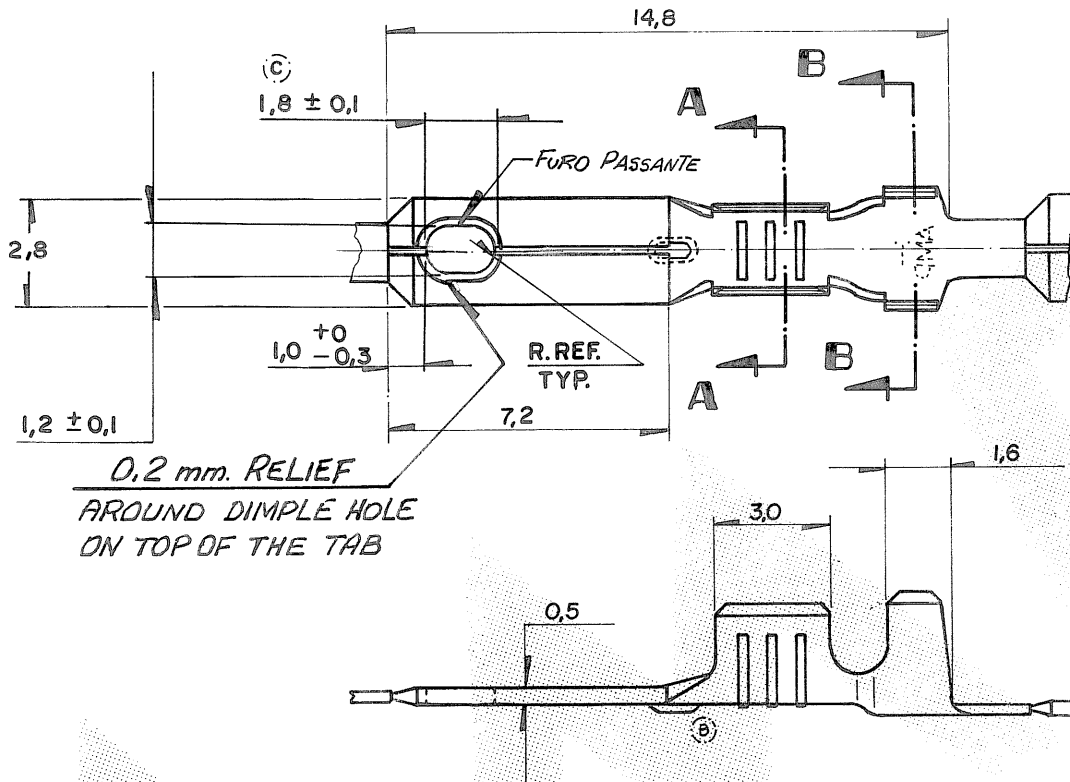


DO NOT SCALE

METRIC

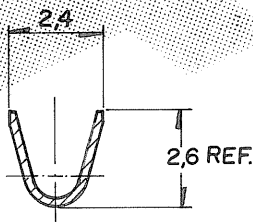
37.5° ANGLE PROJECTION

DIMENSIONS IN mm

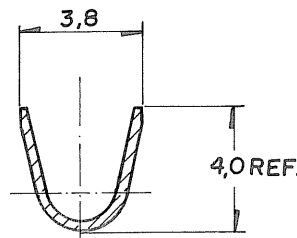


0.2 mm. RELIEF
AROUND DIMPLE HOLE
ON TOP OF THE TAB

1 OBSOLETE PARTS:
OBSOLETE CIS STREAMLINING
PER: D.RENAUD/D.SINISI



SECÇÃO A-A



SECÇÃO B-B

1	ESTANHADO	LATÃO	880 633 - 2
	---	LATÃO	880 633 - 1
OTHER TREATMENT	FINISH	MATERIAL	PART NUMBER

CUSTOMER DWG
for REFERENCE ONLY

THIS DRAWING IS UNPUBLISHED | RELEASED FOR PUBLICATION | 19
© COPYRIGHT 19 BY AMP DO BRASIL LTDA S.P. ALL INTERNATIONAL RIGHTS RESERVED AMP PRODUCTS MAY BE COVERED BY U.S. AND FOREIGN PATENTS AND/OR PATENTS PENDING

TOLERANCES UNLESS OTHERWISE STATED

INS. DIA. RANGE Ø 2.0 - 2.7	WIRE RANGE 0.5 - 1.0mm ²	SCALE //
--------------------------------	--	-------------

DEC. ± 0.3
ANGLES ± 1°

Tyco do BRASIL LTDA.
Electronics São Paulo, Brasil

Dr. *[Signature]* June, 05-90

DESCRIPTION
.110 SERIES FASTON TAB

CHK *[Signature]* 05. Jun. 90

DE. *[Signature]*

APP. *[Signature]* 05/11/90

APR 11 1990

ISS	REVISION RECORD	DR	CHK	DATE
D	REV. BY ECO-10-012179	HC	WLS	10AUG10
C1	REVISED PER ECO-09-026444	KK	AEG	26NOV09
C	REVISADO EC LB 00.0120-00	H.C.	<i>[Signature]</i>	26Apr00
B	REVISADO EC LB 0344/93	H.C.	<i>[Signature]</i>	01-set-93
A	WAS P. 85-29066	<i>[Signature]</i>	<i>[Signature]</i>	June 15-90

DWG NO 880 633 SHEET 1 of 1

单击下面可查看定价，库存，交付和生命周期等信息

[>>TE Connectivity\(泰科\)](#)