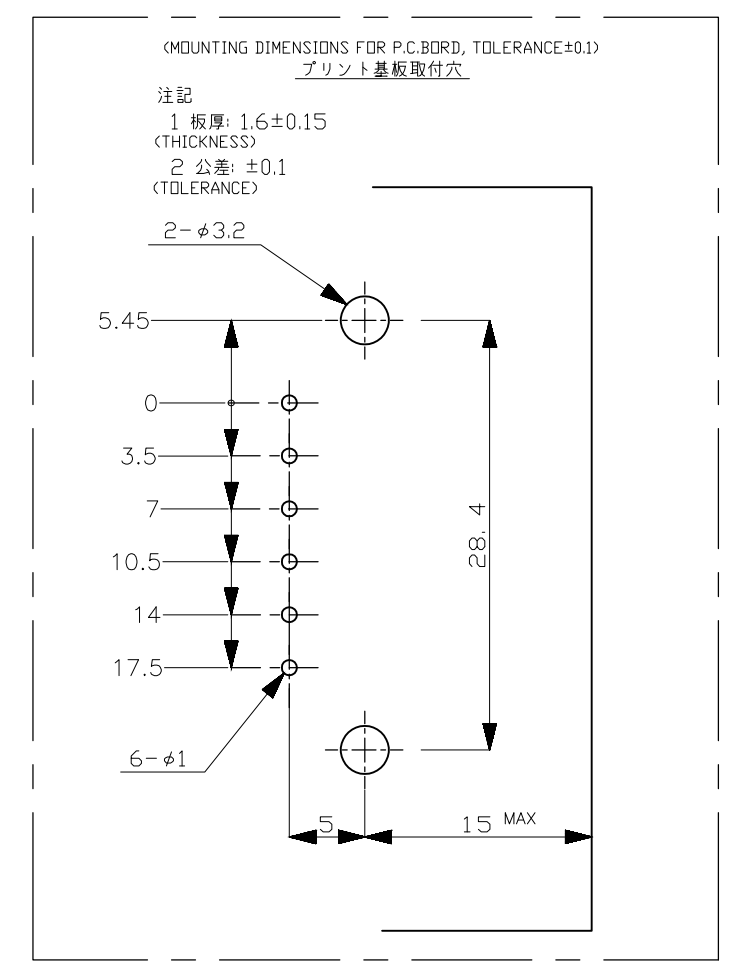
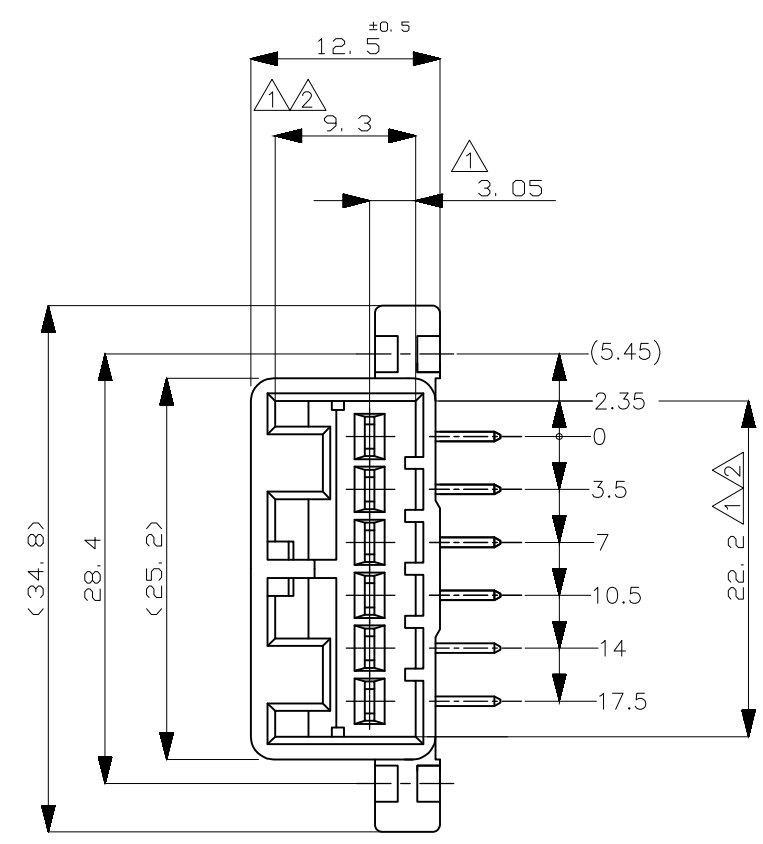
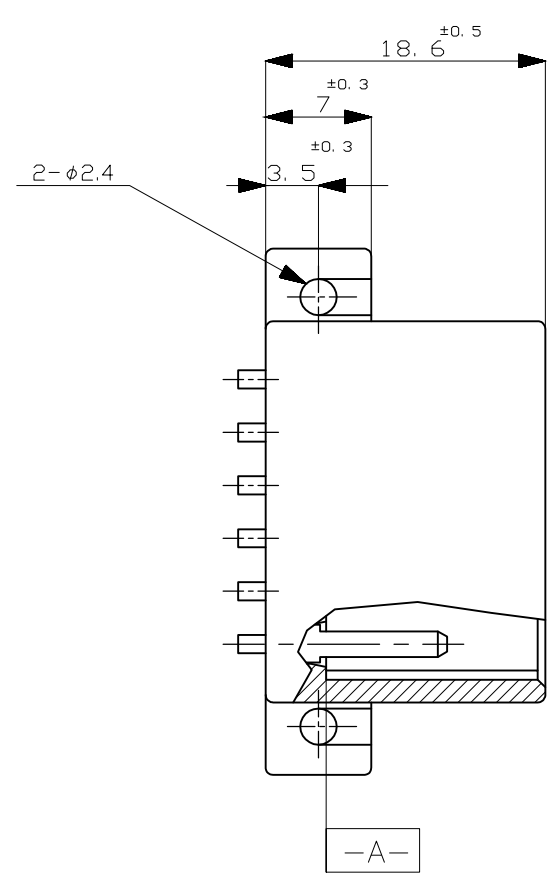
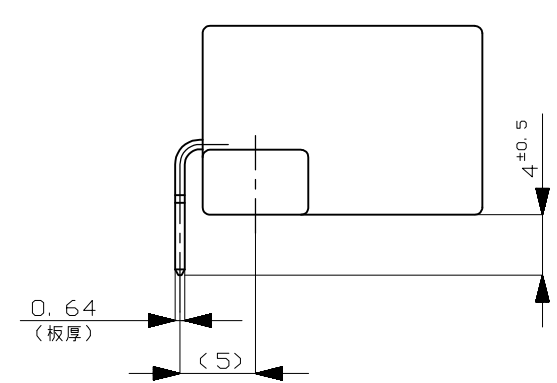


THIS DRAWING IS UNPUBLISHED. RELEASED FOR PUBLICATION
 © COPYRIGHT 2004 By - ALL RIGHTS RESERVED.

LOC	DIST	REVISIONS					
J	-	P	LTR	DESCRIPTION	DATE	DWN	APVD
			A4	REVISED PER ECO-11-005140	28MAR11	RK	HMR



- 注記
- 1 [-A-] 面より2mmの範囲で測定
 - 2 相手ハウジング (型番: 174923) と所定の機能を満たして嵌合できること
 - 3 プリント基板への取付けは、JIS-B1115 又は1122、M3X6ナベ (2種又は4種) のタッピングネジで締め付けた後ハンダ付けする。
(締め付けトルク: 0.392N-m以下)
- NOTE
- 1 MUST BE KEPT BETWEEN [-A-] AND 2
 - 2 TO MATE WITH PLUG HSG (P/N 174923) SMOOTHLY
 - 3 RECOMMEND MOUNTING SCREW; M3X6 PAN HEAD, CLASS 2 TAPPING SCREW SPECIFIED IN JIS B1115, B1122 (TIGHTENING TORQUE; 0.392N-m MAX)



CARTON BOX	AIR CAP BAG	PRE-TIN	YELLOW	175783-7	
	PVC TUBE	PRE-TIN	YELLOW	175783-5	
	PVC TUBE	PRE-TIN	BLACK	175783-4	
	PVC TUBE	PRE-TIN	WHITE	175783-3	
	AIR CAP BAG	PRE-TIN	BLACK	175783-2	
AIR CAP BAG	PRE-TIN	WHITE	175783-1		
OUTER 外装	INNER 内装	SOLDERING SIDE 半田付け側	CONTACT SIDE 接触部側	COLOR 色	PART NUMBER 製品型番
PACKING STYLE 梱包形態		CONTACT FINISH コンタクト仕上げ			

TOLERANCE UNLESS OTHERWISE SPECIFIED: 一般公差

0 < * ≤ 10	: ±0.2
10 < * ≤ 30	: ±0.25
30 < * ≤ 100	: ±0.3
ANGLE ; 角度	: ±3°

THIS DRAWING IS A CONTROLLED DOCUMENT.

DIMENSIONS: 単位: 耗 mm	TOLERANCES UNLESS OTHERWISE SPECIFIED: 一般公差	DWN A.YAMAGUCHI 26APR04	 TE Connectivity													
	<table border="1"> <tr> <td>0 PLC</td> <td>± -</td> </tr> <tr> <td>1 PLC</td> <td>± -</td> </tr> <tr> <td>2 PLC</td> <td>± -</td> </tr> <tr> <td>3 PLC</td> <td>± -</td> </tr> <tr> <td>4 PLC</td> <td>± -</td> </tr> <tr> <td>ANGLES</td> <td>± -</td> </tr> </table>	0 PLC		± -	1 PLC	± -	2 PLC	± -	3 PLC	± -	4 PLC	± -	ANGLES	± -	CHK K.BETSUI 26APR04	NAME 名称
		0 PLC		± -												
		1 PLC		± -												
2 PLC	± -															
3 PLC	± -															
4 PLC	± -															
ANGLES	± -															
MATERIAL 材料 HSG: PBT TAB: SEE TABLE	FINISH 仕上 SEE TABLE	APVD K.BETSUI 26APR04	PRODUCT SPEC 製品規格 108-5216													
		APPLICATION SPEC 取付適用規格	070 SERIES MULTILOCK I/O CONNECTOR 6POSITION CAP HOUSING (H-TYPE)													
		WEIGHT -	SIZE A3 CAGE CODE 00779 DRAWING NO. 175783 RESTRICTED TO													
		CUSTOMER DRAWING	SCALE 尺度 2:1 SHEET 1 OF 1 REV A4													

单击下面可查看定价，库存，交付和生命周期等信息

[>>TE Connectivity\(泰科\)](#)