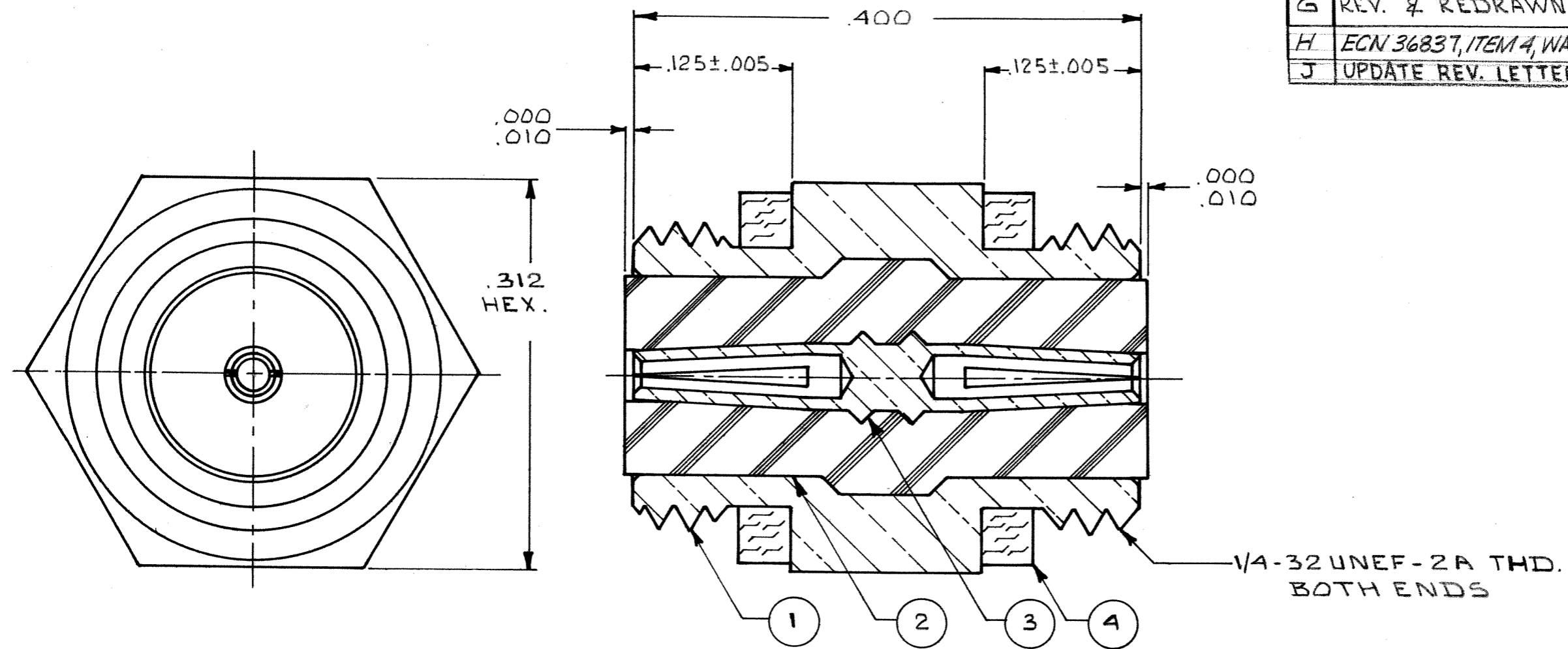


| REVISIONS | | | |
|-----------|--------------------------------------|---------|-------------|
| SYM | DESCRIPTION | DATE | APPROVED |
| G | REV. & REDRAWN. SEE ECO13596 | 9/7/71 | [Signature] |
| H | ECN 36837, ITEM 4, WAS 003-0070-0001 | 3-31-97 | [Signature] |
| J | UPDATE REV. LETTER | 1-22-99 | [Signature] |



Tyco Dwg 1467943
Micro P/N 033-0036-0001

NOTES: UNLESS OTHERWISE SPECIFIED.

1. THIS CONNECTOR MATES WITH ALL 93 SERIES SCREW TYPE PLUGS AS LISTED IN MICRODOT CATALOG. (BOTH ENDS.)
2. ALL METALLIC PARTS ARE SILVER PLATED .0002-.0004 PER QQ-S-365, TYPE II, GRADE A. EXCEPT SOCKET CONTACT IS GOLD PLATED PER MIL-G-45204, TYPE II, CLASS I OVER COPPER PER MIL-C-14550, CLASS A.

| QTY. REQD. | PART NO. | NOMENCLATURE OR DESCRIPTION | MATERIAL & SPECIFICATION | ITEM NO. |
|------------|---------------|-----------------------------|-------------------------------|----------|
| 2 | 003-0269-0000 | GASKET | SILICONE RUBBER, ZZ-R-765 | 4 |
| 1 | 000-0201-0073 | SOCKET CONTACT | BERYLLIUM COPPER PER QQ-C-530 | 3 |
| 1 | 000-0301-0071 | INSULATOR | TEFLON PER L-P-403 | 2 |
| 1 | 003-0138-0001 | HOUSING | BRASS PER QQ-B-626 | 1 |

LIST OF MATERIAL OR PARTS LIST

| | | | | | |
|----------------------------|-----------|-------------------|------------|-----------------------|--|
| UNLESS OTHERWISE SPECIFIED | | DRAWN | J.B.D. | 1/28/54 | MICRODOT INC. 220 PASADENA AVE. SO. PASADENA, CALIF. |
| DIMENSIONS ARE IN INCHES | | CHECK | | | |
| TOLERANCES | | PR. ENG. | | | |
| DECIMALS | FRACTIONS | CHF. ENG. | G.P. FELTS | 1/28/54 | |
| XX± | ± 1/64" | MATERIAL | | NOTED | |
| XXX± | ± 1/64" | SURFACE TREATMENT | | NOTED | |
| XXXX± | ± 1/64" | SURFACE ROUGHNESS | | ✓ | |
| ANGLES± | 2° | TOP ASSY. | | DO NOT SCALE THIS DWG | |

| | | | |
|-----------|-------------|--------------|---------------|
| SIZE | CODE IDENT. | CODE | 033-0036-0001 |
| B | No. 98278 | CDM | |
| SCALE 10X | WT | SHEET 1 OF 1 | |

单击下面可查看定价，库存，交付和生命周期等信息

[>>TE Connectivity\(泰科\)](#)