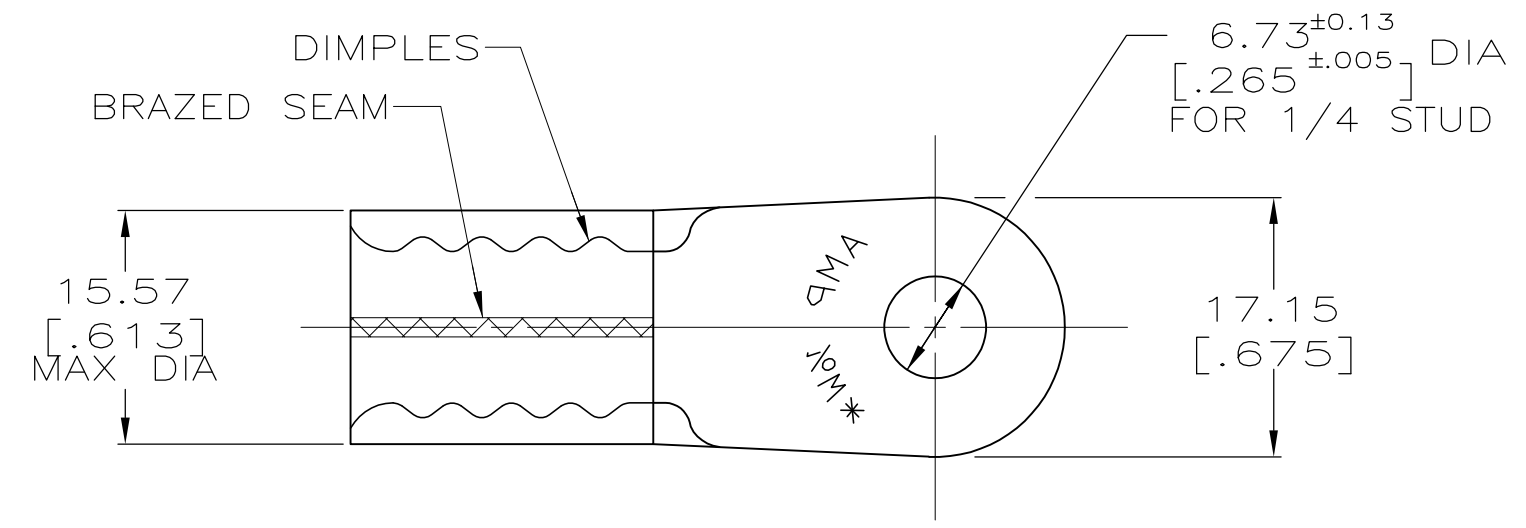


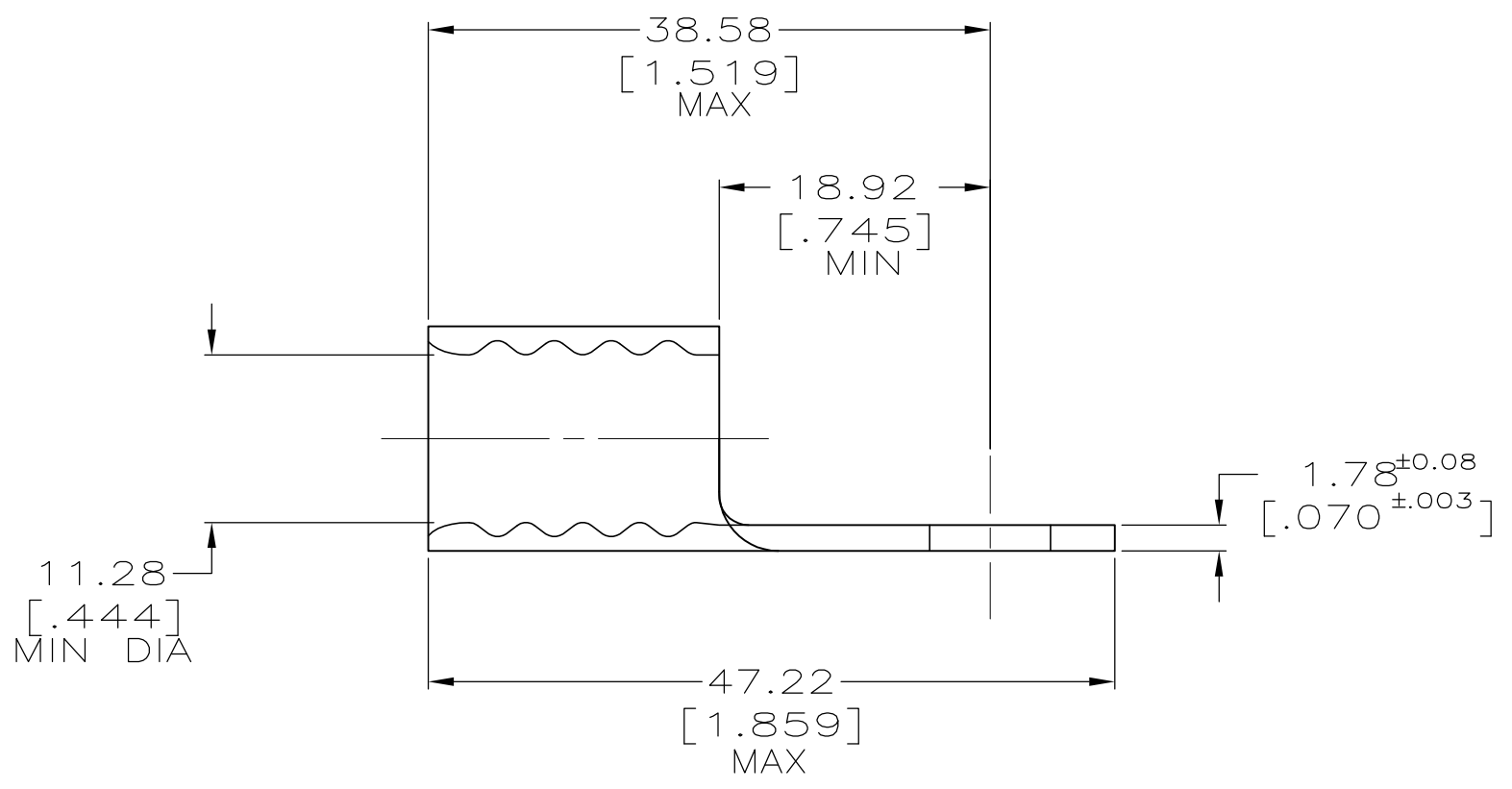
THIS DRAWING IS UNPUBLISHED. RELEASED FOR PUBLICATION  
 © COPYRIGHT BY TYCO ELECTRONICS CORPORATION. ALL INTERNATIONAL RIGHTS RESERVED.

LOC	DIST	REVISIONS					
		P	LTR	DESCRIPTION	DATE	DWN	APVD
G	14		B	REV PER ECR 10-004647	02MAR10	JR	TM

<b>AMP</b> WIRE RANGE	<b>RU</b> FILE E13288	<b>LR7189</b> Certified
1/0 AWG SOLID OR STRANDED	1/0 AWG STRANDED	1/0 AWG SOLID OR STRANDED



- 1 COPPER PER ASTM B-152, ANNEALED
- 2 TIN PLATE 0.00254 [.000100] MIN TIN PER ASTM B-545



100	LOOSE PIECE	55821-1
QTY	PACKAGING TYPE	PART NO.

MAX RECOMMENDED OPERATING TEMPERATURE: 170°C	THIS DRAWING IS A CONTROLLED DOCUMENT.		DWN DK SCHRUM 10/23/91	Tyco Electronics Corporation Harrisburg, PA 17105-3608					
	VOLTAGE RATING: N/A	DIMENSIONS: MM [INCHES]	TOLERANCES UNLESS OTHERWISE SPECIFIED:				CHK BR BARE 10/24/91	APVD JL MECKLEY 10/24/91	NAME TERMINAL, RING TONGUE, SOLISTRAND, WIRE SIZE: 50.0mm <sup>2</sup> [1/0 AWG]
CIRCULAR MIL AREA: 42.4-60.6mm <sup>2</sup> [83,700-119,500] SOLID OR STRANDED	MATERIAL - 1	FINISH - 2	PRODUCT SPEC -	APPLICATION SPEC -	WEIGHT -	SIZE A3	CAGE CODE 00779	DRAWING NO G-55821	RESTRICTED TO -
			CUSTOMER DRAWING		SCALE 2:1	SHEET 1 OF 1	REV B		

单击下面可查看定价，库存，交付和生命周期等信息

[>>TE Connectivity\(泰科\)](#)