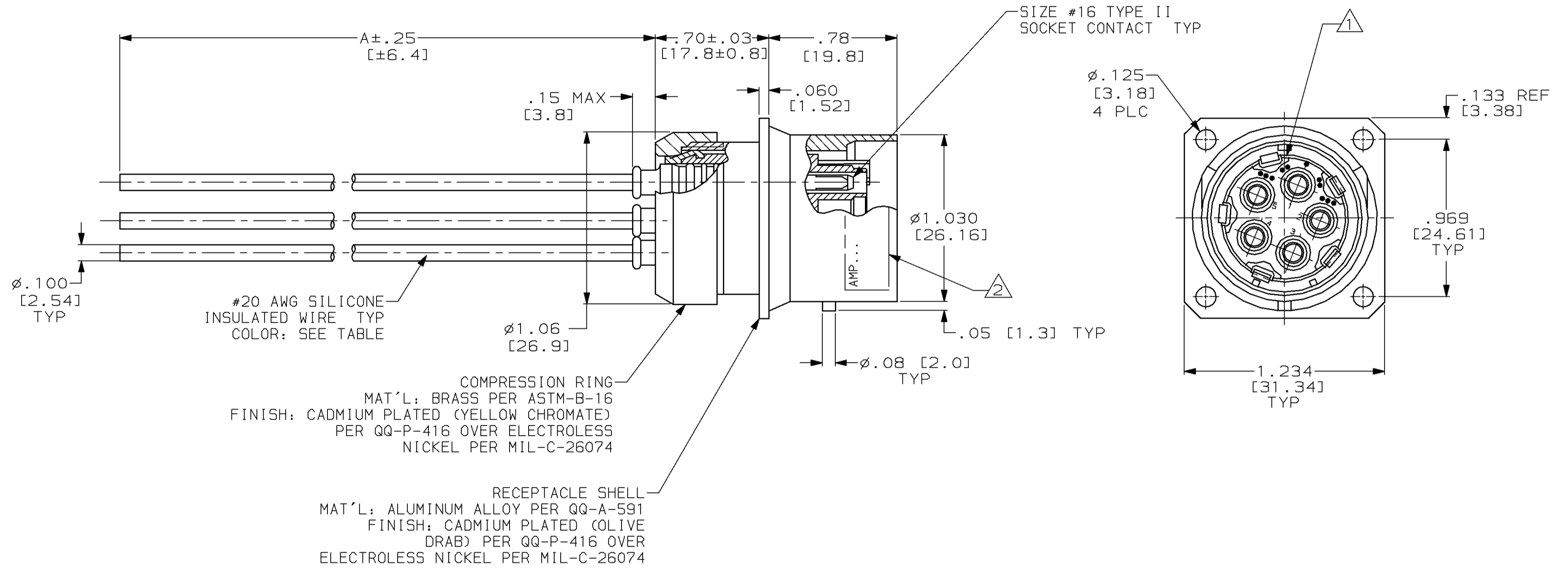


THIS DRAWING IS UNPUBLISHED. RELEASED FOR PUBLICATION  
 © COPYRIGHT 19 BY AMP INCORPORATED. ALL RIGHTS RESERVED.

LOC		DIST		REVISIONS			
P	LTR	DESCRIPTION		DATE	DWN	APVD	
DF	SO	F	REV & REDRAWN; 0600-5878-96	11-96	CT	CS	

WIRING TABLE	
POSITION NO.	WIRE COLOR
1	BROWN
2	RED
3	ORANGE
4	YELLOW
5	GREEN



- 1 DOUBLE DOT FOR NORMAL POLARIZATION LOCATED UNDER MAJOR KEYWAY.
- 2 AMP INFO MARKED PER MIL-STD-130.
- 3. MAXIMUM MOUNTING PANEL THICKNESS: .100 [2.54].
- 4. WORKING VOLTAGE IS 4.5 KVDC MAX WHEN PROPERLY MATED.

OBSOLETE	6.00 [152.4]	863982-2
	24.00 [609.6]	863982-1
	DIM A	PART NO.

THIS DRAWING IS A CONTROLLED DOCUMENT.		DWN	C. C. THOMAS	11-18-96
DIMENSIONS:		CHK	C. SHELLY	11-19-96
INCHES [mm]		APVD	C. SHELLY	11-19-96
TOLERANCES UNLESS OTHERWISE SPECIFIED:		NAME		
0 PLC ±-		AMP Incorporated		
1 PLC ±-		Harrisburg, PA 17105-3608		
2 PLC ±.02 [0.5]		AMP		
3 PLC ±.010 [0.25]		CABLE ASSY, 5 POSN, LGH		
4 PLC ±-		SIZE		
ANGLES ±-		CAGE CODE		
FINISH -		DRAWING NO		
		RESTRICTED TO		
		A2 00779 C-863982		
		CUSTOMER DRAWING		
		SCALE 2:1 SHEET 1 OF 1 REV F		

单击下面可查看定价，库存，交付和生命周期等信息

[>>TE Connectivity\(泰科\)](#)