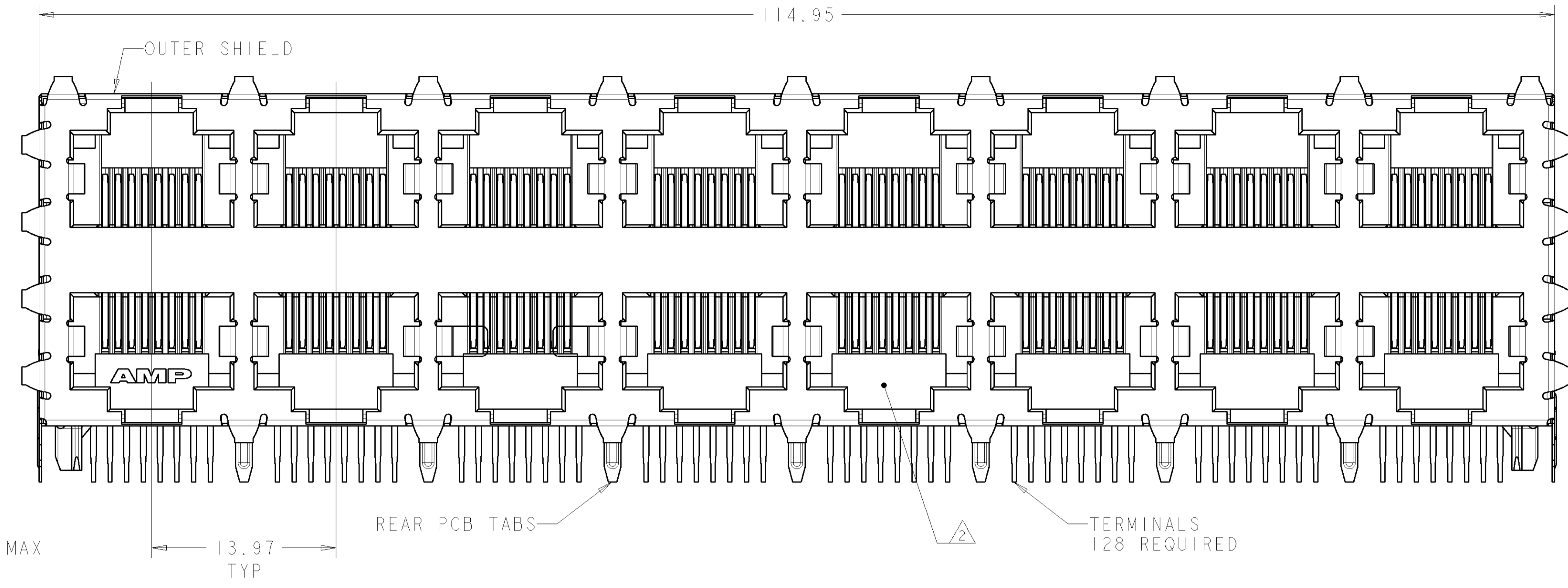
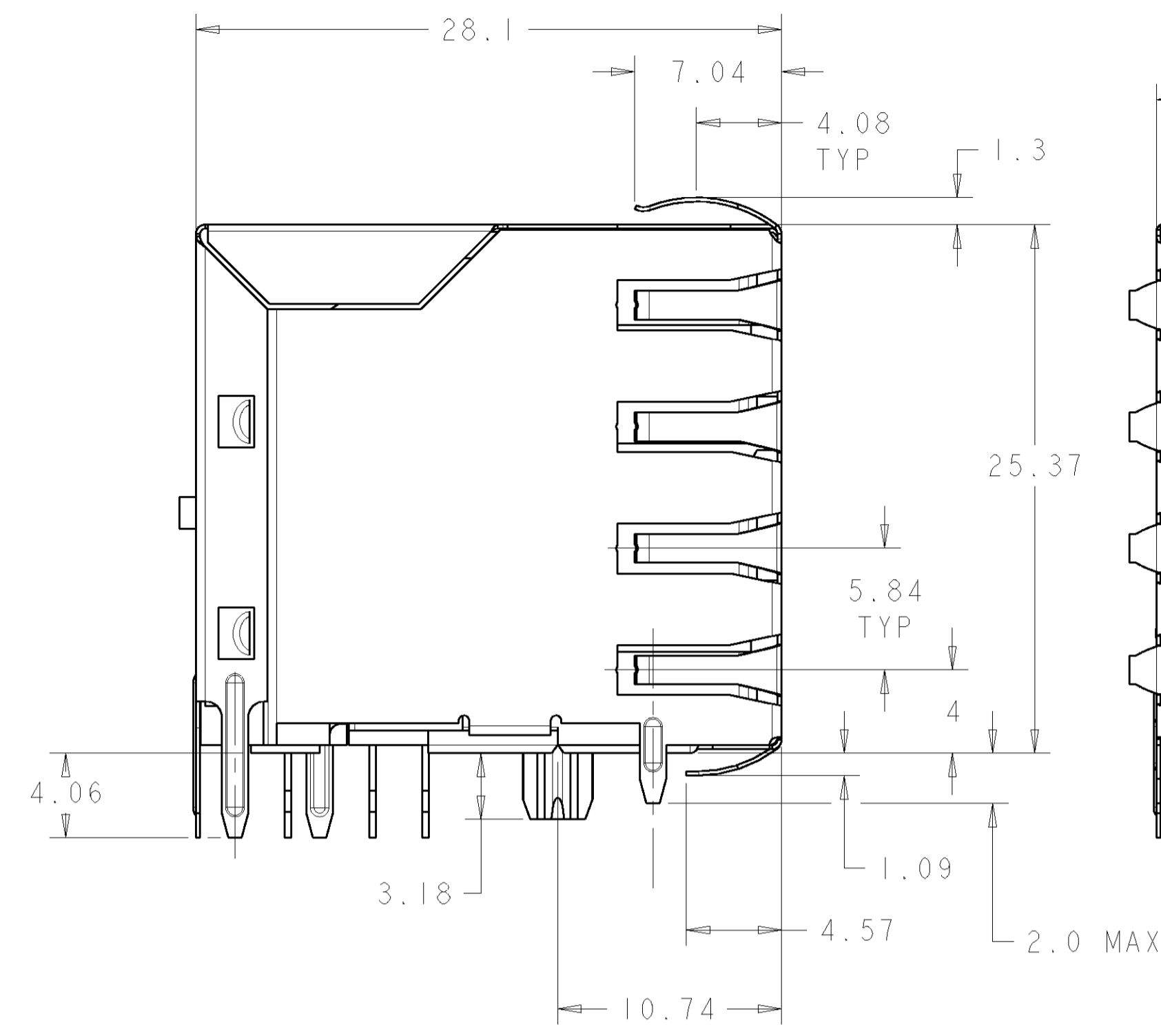
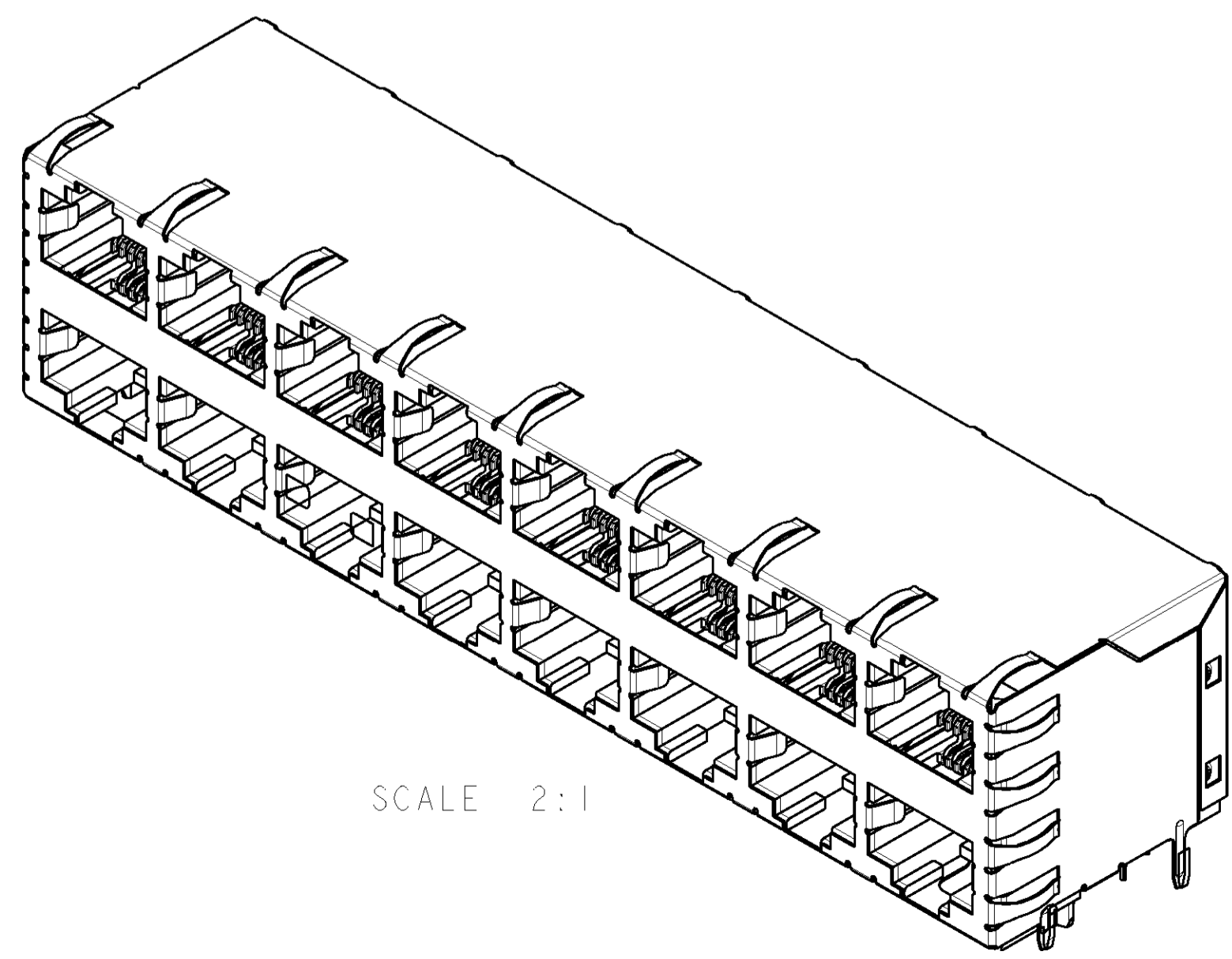
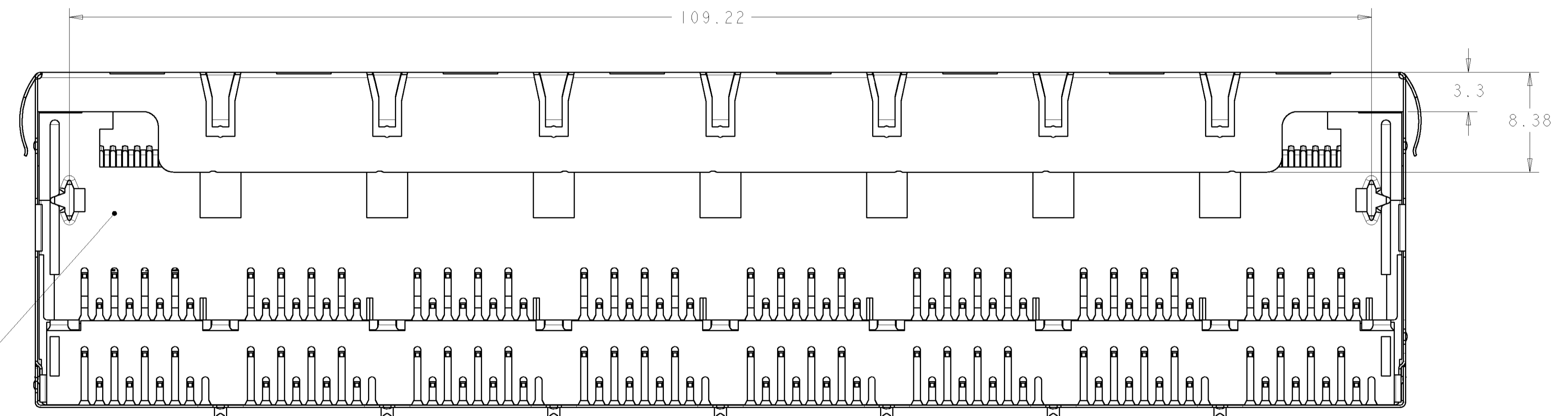


LOC	DIST	REVISIONS					
AA	22	P	LTR	DESCRIPTION	DATE	DWN	APVD
		A		REV PER ECOS11-0201-04	28JUL2005	AF	SF



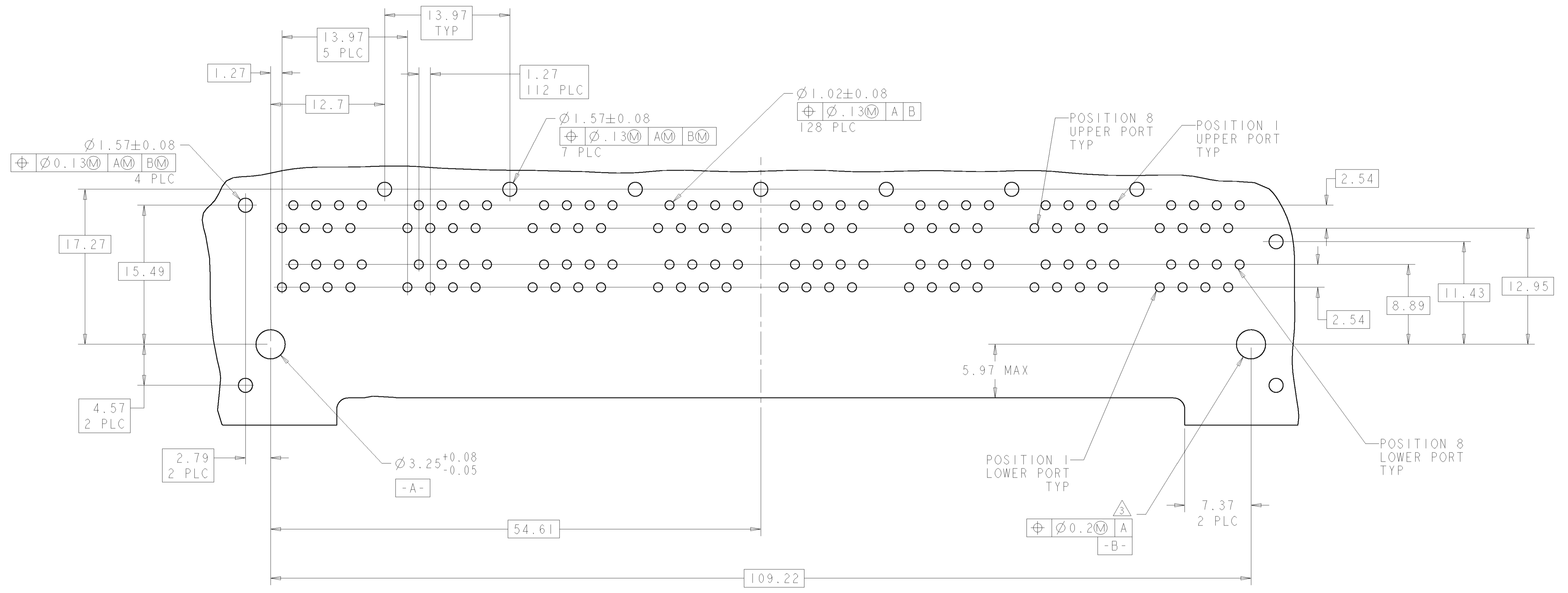
- 1. MATERIAL: HOUSING - PCT POLYESTER, BLACK, UL 94V-0
 TERMINALS: 0.305 THICK PHOS BRONZE PLATED WITH 1.27µm MINIMUM THICK HARD GOLD IN LOCALIZED AREA AND 2µm MINIMUM THICK MATTE TIN IN SOLDER AREA OVER 1.27µm MINIMUM THICK NICKEL UNDERPLATE.
 SHIELD - .196 THICK COPPER ALLOY PLATED WITH 1.27µm MINIMUM NICKEL AND 2.03µm MINIMUM HOT TIN DIP ON PCB GROUND TABS
- 2. JACK CAVITY CONFORMS TO FCC RULES AND REGULATIONS, PART 68 SUBPART F
- 3. USE #30 DRILL BIT OR 3.25mm DRILL BIT WHEN PRODUCING THESE PCB HOLES
- 4. RECOMMENDED APPLICATIONS: FAST ETHERNET, 10 BASE-T ETHERNET, AND 10/100 BASE-T ETHERNET (CAT 5 TWO PAIR 1/2, 3/6)



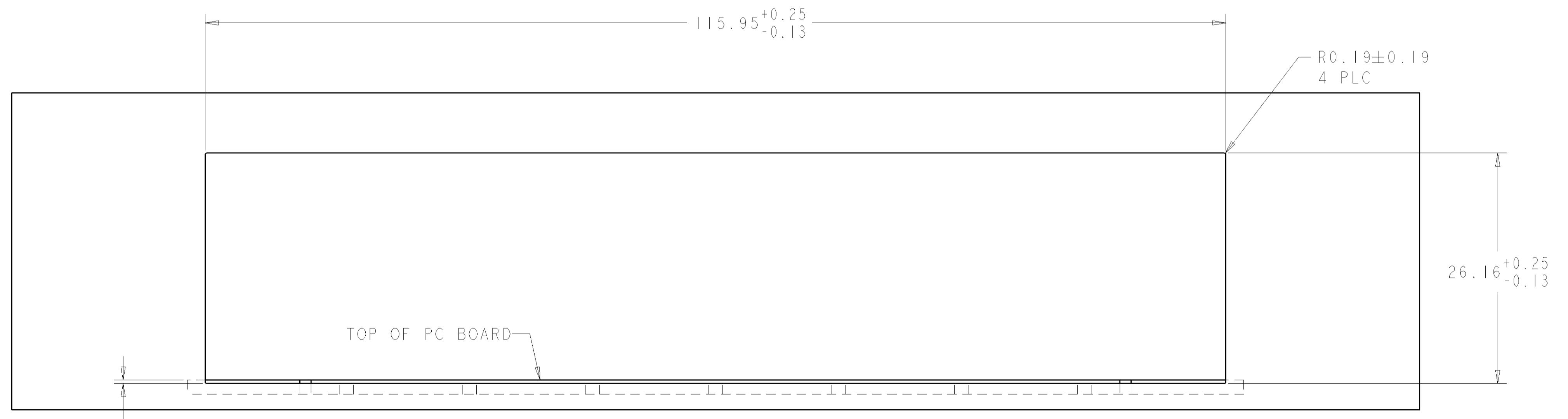
7	6368296-1
NUMBER OF REAR PCB TABS	PART NUMBER

<small>THIS DRAWING IS UNPUBLISHED. RELEASED FOR PUBLICATION BY TYCO ELECTRONICS CORPORATION. ALL RIGHTS RESERVED.</small>		DWN: 28 JUL 2005 A. FERNANDEZ - DOCK 5 CHK: 28 JUL 2005 J. WESTMAN APVD: 28 JUL 2005 S. FLICKINGER		tyco Electronics TYCO Electronics Harrisburg, PA 17105-3608	
DIMENSIONS: mm		TOLERANCES UNLESS OTHERWISE SPECIFIED: 0 PLC ±.25 1 PLC ±.25 2 PLC ±.25 3 PLC ±.25 4 PLC ±.25 ANGLES ±.5		NAME: 2X8 STACKED MODULAR JACK ASSEMBLY, 8 POSITION, SHIELDED, WAVE PANEL GROUND, 2.0 mm FRONT PCB GROUND TABS PRODUCT SPEC: 108-1163-9 APPLICATION SPEC: 114-2048 WEIGHT: - CUSTOMER DRAWING	
MATERIAL:		FINISH:		SIZE: CAGE CODE DRAWING NO: A100779C=6368296 SCALE: 4:1 SHEET 1 OF 2 REV A	

LOC		DIST		REVISIONS			
P	LTR	DESCRIPTION	DATE	BY	APPD		
AA	22	SEE SHEET 1	-	-	-		



SUGGESTED PC BOARD LAYOUT
 VIEWED FROM COMPONENT SIDE
 SCALE 4:1



SUGGESTED PANEL CUTOUT DIMENSIONS
 SCALE 3:1

<small>THIS DRAWING IS UNPUBLISHED. RELEASED FOR PUBLICATION. ALL RIGHTS RESERVED. © 2005 TYCO ELECTRONICS CORPORATION.</small> <small>THIS DRAWING IS UNPUBLISHED. RELEASED FOR PUBLICATION. ALL RIGHTS RESERVED. © 2005 TYCO ELECTRONICS CORPORATION.</small>		DWN: 28 JUL 2005 A. FERNANDEZ - DOCK 5 ENR: 28 JUL 2005 J. WESTMAN APVD: 28 JUL 2005 S. FLICKINGER	TYCO Electronics Harrisburg, PA 17105-3608
DIMENSIONS: mm 	TOLERANCES UNLESS OTHERWISE SPECIFIED: 0 PLC ±.25 1 PLC ±.25 2 PLC ±.25 3 PLC ±.25 4 PLC ±.25 ANGLES ±.5	NAME: 2X8 STACKED MODULAR JACK ASSEMBLY, 8 POSITION, SHIELDED, WAVE PANEL PRODUCT SPEC: 108-1163-9 APPLICATION SPEC: 114-2048 WEIGHT: CUSTOMER DRAWING	SIZE: A CAGE CODE: 00779 DRAWING NO: 6368296 SCALE: 4:1 SHEET: 2 OF 2 REV: A

单击下面可查看定价，库存，交付和生命周期等信息

[>>TE Connectivity\(泰科\)](#)