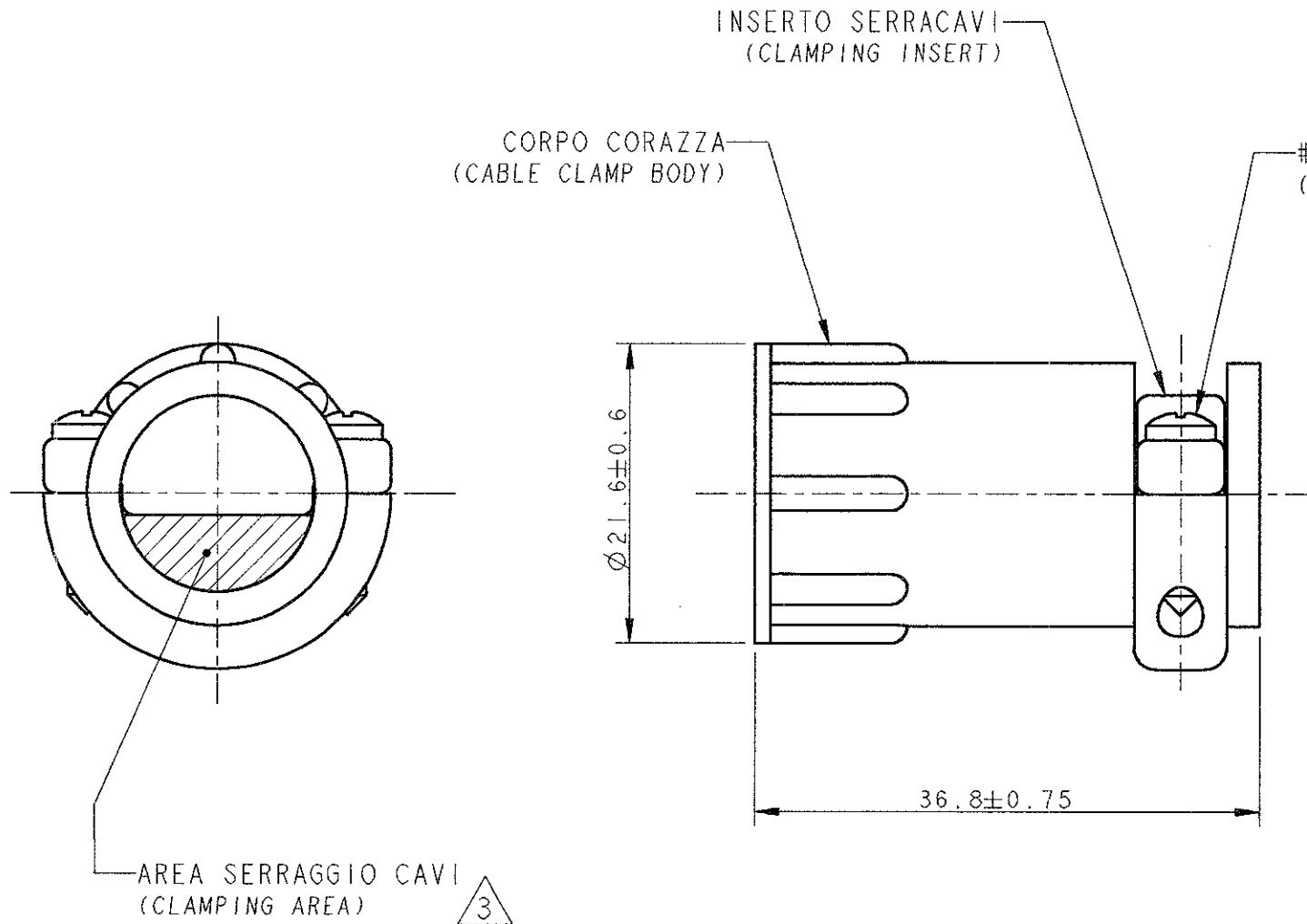


LOC	DIST	REVISIONS			
P	LTR	DESCRIPTION	DATE	DWN	APVD
		A1 REDRAWN, ET00-0298-00	17 Nov '00	RE	GT
		B Changed screw according to RoHS	28/07/05 ECR7789	AV	GT



- 1) MATERIALE : TERMOPLASTICO, COLORE NERO
(MATERIAL : THERMOPLASTIC, BLACK COLOUR)
- 2) PARTICOLARI FORNITI NON ASSEMBLATI IN SACCHETTO DI PLASTICA
(PARTS PACKAGED UNASSEMBLED INTO A PLASTIC BAG)
- 3) L'AREA SERRAGGIO CAVI E' VARIABILE DA 6.45 A 103.9 mm²
IN FUNZIONE DEL TIPO E POSIZIONE DELL'INSERTO SERRACAVO
(CABLE CLAMPING AREA ADJUSTABLE FROM .010 TO .161 SQ. IN.
BY SELECTING AND REVERSING CLAMPING INSERTS)
- 4) QUESTO CONNETTORE E' RICONOSCIUTO E CERTIFICATO
(THIS CONNECTOR IS UL RECOGNIZED AND CSA CERTIFIED)
- 5) Ø MAX DEL FASCIO CAVI = 11.5 mm.
(MAXIMUM CABLE O.D. = 11.5 mm.)

P/N 182928-1 COME RAPPRESENTATO
(P/N 182928-1 AS SHOWN)

THIS DRAWING IS A CONTROLLED DOCUMENT FOR AMP INCORPORATED. IT IS SUBJECT TO CHANGE AND THE CONTROLLING ENGINEERING ORGANIZATION SHOULD BE CONTACTED FOR THE LATEST REVISION.		DWN R. FABRIS	AMP AMP Italia S.p.A. C.so F.lli Cervi, 15 COLLEGNO (TO)	
DIMENSIONS: mm	TOLERANCES UNLESS OTHERWISE SPECIFIED:	CHK -	NAME C.P.C. CABLE CLAMP KIT	
	0 PLC ± 1 PLC ± ±0.3 2 PLC ± ± 3 PLC ± ± 4 PLC ± ± ANGLES ±2°	APVD C. TARTARI	SIZE A3	
MATERIAL -	FINISH -	PRODUCT SPEC 108-10024	CAGE CODE 00779	DRAWING NO C-182928
		APPLICATION SPEC -	WEIGHT -	SCALE 2:1
		CUSTOMER DRAWING	SHEET 1	OF 1
			REV B	

单击下面可查看定价，库存，交付和生命周期等信息

[>>TE Connectivity\(泰科\)](#)