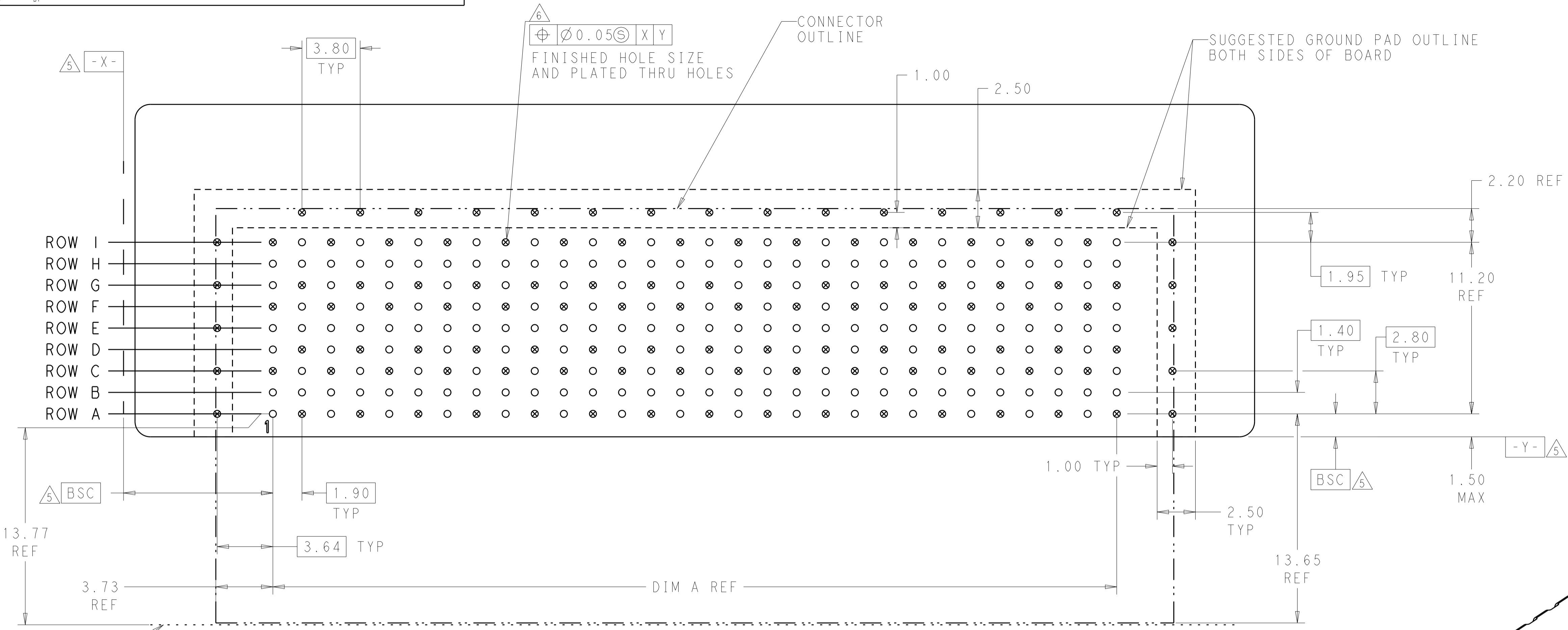
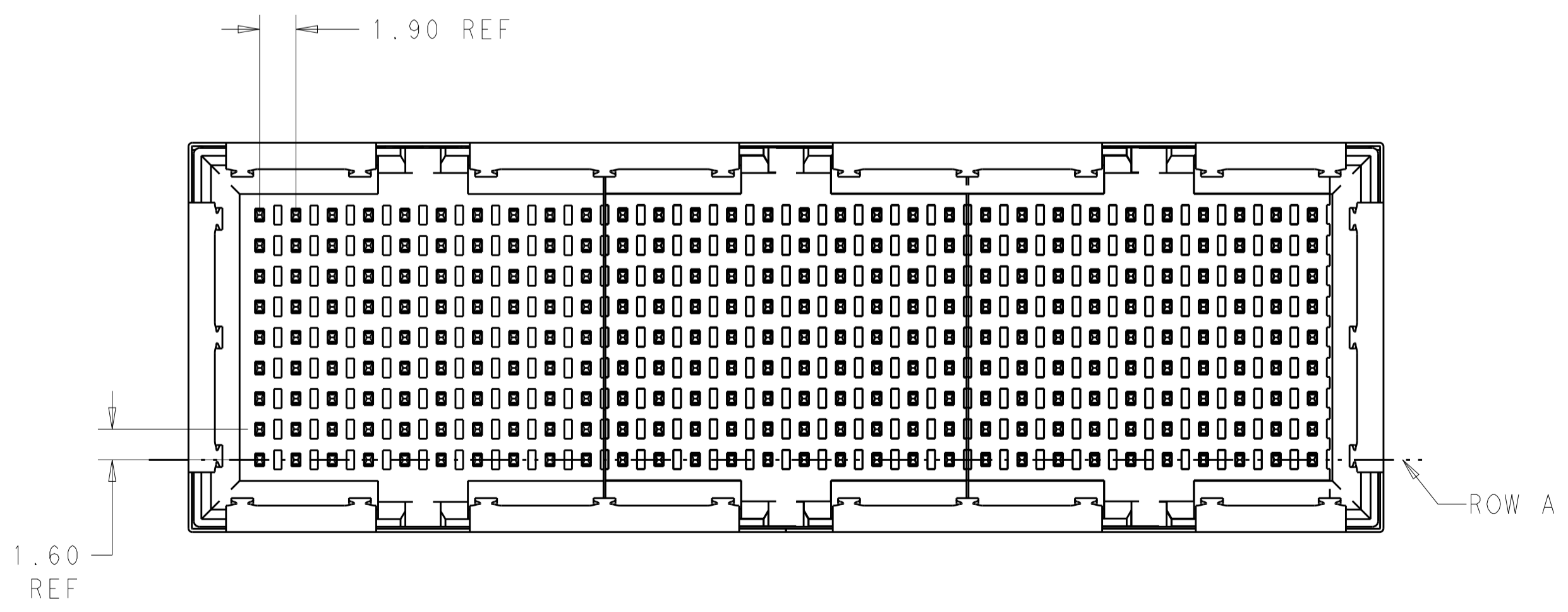
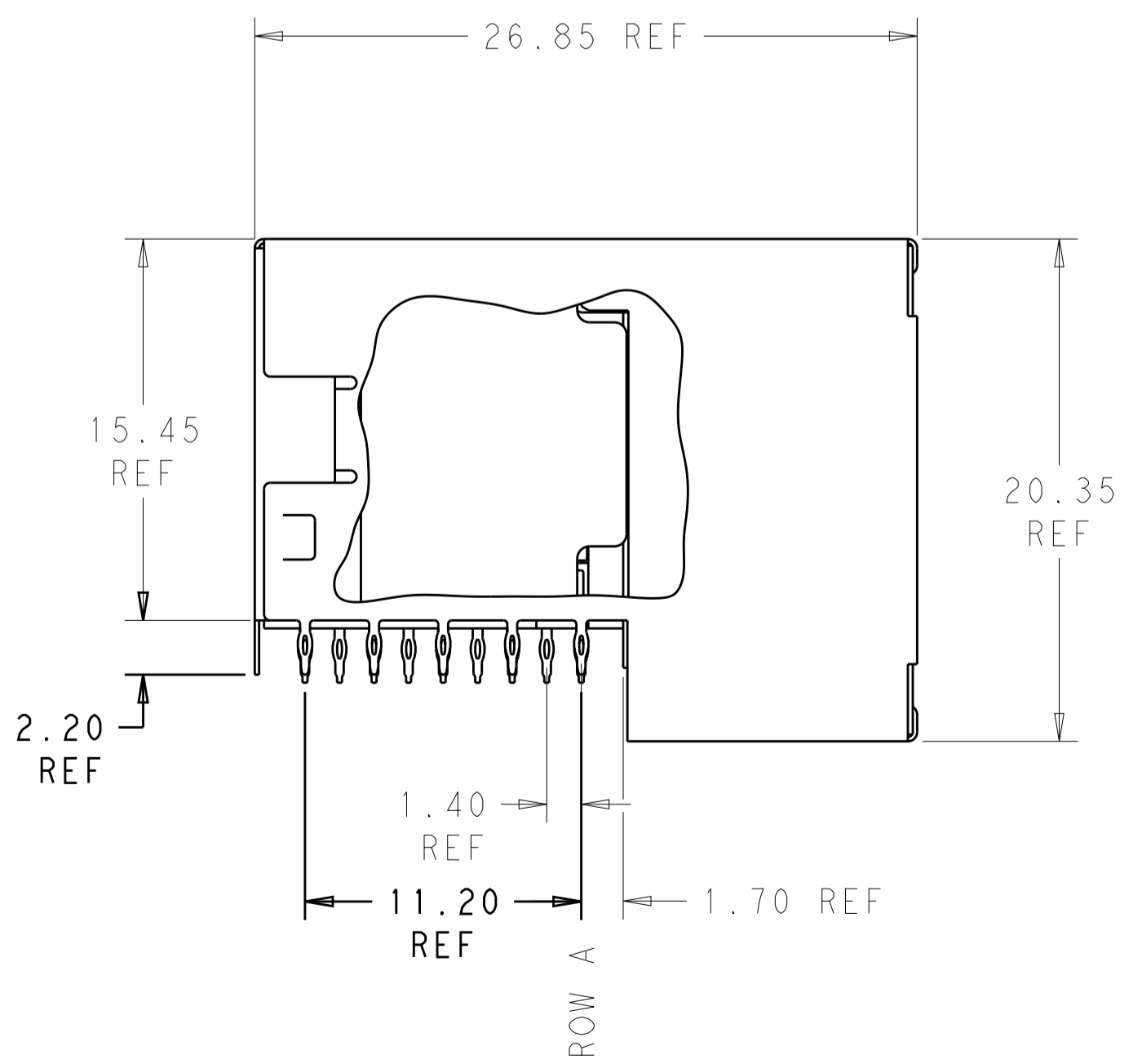
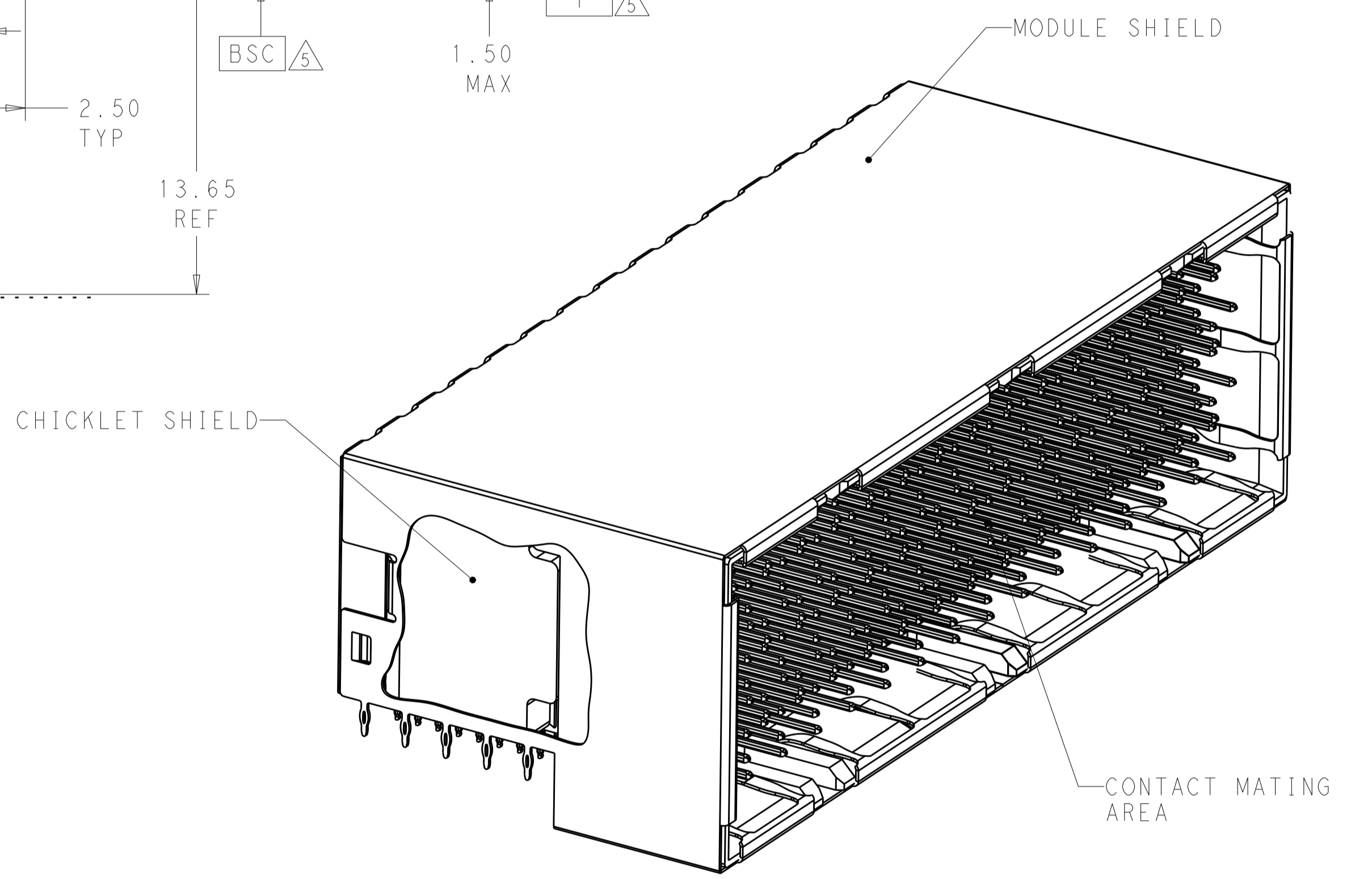


| REVISIONS | | | | |
|-----------|------|----------------------------|---------|-------|
| P. | LTN. | DESCRIPTION | DATE | APVD. |
| A | | RELEASED PER ECO 17-012487 | 8-28-17 | CT DH |



○ = SIGNAL
 ⊗ = GROUND

RECOMMENDED BOARD LAYOUT
 COMPONENT SIDE SHOWN
 SCALE 6:1



| | | | |
|---|---------|---|---------------------|
| THIS DRAWING IS A CONTROLLED DOCUMENT. | | OWN: D. BELACK 26 JUL 2010 | TE Connectivity |
| DIMENSIONS: mm | | CHK: A. TSANG 26 JUL 2010 | |
| TOLERANCES UNLESS OTHERWISE SPECIFIED: | | APVD: M. McALONIS 26 JUL 2010 | |
| 0 PLC ± 1 PLC ±0.13 2 PLC ±0.05 3 PLC ± 4 PLC ± ANGLES ±2° | | NAME: Fortis Zd, 3-PAIR, R/A, SHIELDED MODULE ASSEMBLY PRODUCT SPEC: 108-2409 APPLICATION SPEC: 114-13267 WEIGHT: A100779C=2102247 | |
| MATERIAL: | FINISH: | CUSTOMER DRAWING | RESTRICTED TO: - |
| | | SCALE: 4:1 | SHEET 1 OF 2 REV A |

| REVISIONS | | | | |
|-----------|-----|-------------|------|------|
| P. | LTN | DESCRIPTION | DATE | APPD |
| - | - | SEE SHEET 1 | - | - |
| | | | | |
| | | | | |

△ MATERIAL:
 CONTACT AND CHICKLET SHIELD: PHOSPHOR BRONZE
 HOUSING AND CHICKLET: BLACK LCP
 HOUSING SHIELD: NICKEL SILVER PER UNS C77000
 ADHESIVE: 3M™ BONDING FILM 615S

△ FINISH:
 CONTACT MATING AREA: 1.27µm MIN GOLD OVER
 1.27µm MIN NICKEL
 CHICKLET SHIELD: 1.27µm MIN NICKEL
 COMPLIANT PIN AREA: 0.5µm MIN 93/7 SnPb OVER
 1.27µm MIN NICKEL

△ FINISH:
 CONTACT MATING AREA: 1.27µm MIN GOLD OVER
 1.27µm MIN NICKEL
 CHICKLET SHIELD: 1.27µm MIN NICKEL
 COMPLIANT PIN AREA: 0.5µm MIN Sn OVER
 1.27µm MIN NICKEL


△ DIMENSION APPLIES TO CENTERLINE OF THRU HOLE.

△ DATUMS AND BASIC DIMENSIONS ESTABLISHED BY CUSTOMER.

△ REFERENCE APPLICATION SPEC 114-13267 FOR RECOMMENDED PLATED THRU HOLE DIAMETER AND PLATING THICKNESS.

△ ALL GROUNDS IN ODD NUMBERED COLUMNS ARE COMMONED.
 ALL GROUNDS IN EVEN NUMBERED COLUMNS, EXCEPT FOR ROW A ARE COMMONED.

| | | | | | | |
|-----------|---------|---------|-----------------------|-------------|------------|-------------|
| 91.2 | 119.55 | 112.10 | △3 | 60 COLUMN | 180 | 2-2102247-6 |
| 76.5 | 100.55 | 93.10 | △3 | 50 COLUMN | 150 | 2-2102247-5 |
| 61.9 | 81.55 | 74.10 | △3 | 40 COLUMN | 120 | 2-2102247-4 |
| 47.2 | 62.55 | 55.10 | △3 | 30 COLUMN | 90 | 2-2102247-3 |
| 32.6 | 43.55 | 36.10 | △3 | 20 COLUMN | 60 | 2-2102247-2 |
| 17.9 | 24.55 | 17.10 | △3 | 10 COLUMN | 30 | 2-2102247-1 |
| 91.2 | 119.55 | 112.10 | △2 | 60 COLUMN | 180 | 2102247-6 |
| 76.5 | 100.55 | 93.10 | △2 | 50 COLUMN | 150 | 2102247-5 |
| 61.9 | 81.55 | 74.10 | △2 | 40 COLUMN | 120 | 2102247-4 |
| 47.2 | 62.55 | 55.10 | △2 | 30 COLUMN | 90 | 2102247-3 |
| 32.6 | 43.55 | 36.10 | △2 | 20 COLUMN | 60 | 2102247-2 |
| 17.9 | 24.55 | 17.10 | △2 | 10 COLUMN | 30 | 2102247-1 |
| WEIGHT(g) | DIM "B" | DIM "A" | COMPLIANT PIN PLATING | DESCRIPTION | DIFF PAIRS | PART NUMBER |

| | | | |
|---|--|------------------------------------|---|
| THIS DRAWING IS A CONTROLLED DOCUMENT. | | DWN D. BELACK 26 JUL 2010 |  TE Connectivity |
| DIMENSIONS: mm | | CHK A. TSANG 26 JUL 2010 | |
| TOLERANCES UNLESS OTHERWISE SPECIFIED: | | APPD M. McALONIS 26 JUL 2010 | NAME Fortis Zd. 3-PAIR, R/A, SHIELDED MODULE ASSEMBLY |
| 0 PLC ± 1 PLC ±0.13 2 PLC ±0.05 3 PLC ± 4 PLC ± ANGLES ±2° FINISH | | PRODUCT SPEC 108-2409 | SIZE A100779 |
| MATERIAL | | APPLICATION SPEC 114-13267 | CAGE CODE C=2102247 |
| WEIGHT | | RESTRICTED TO | SCALE 4:1 |
| CUSTOMER DRAWING | | REVISIONS | SHEET 2 OF 2 |

单击下面可查看定价，库存，交付和生命周期等信息

[>>TE Connectivity\(泰科\)](#)