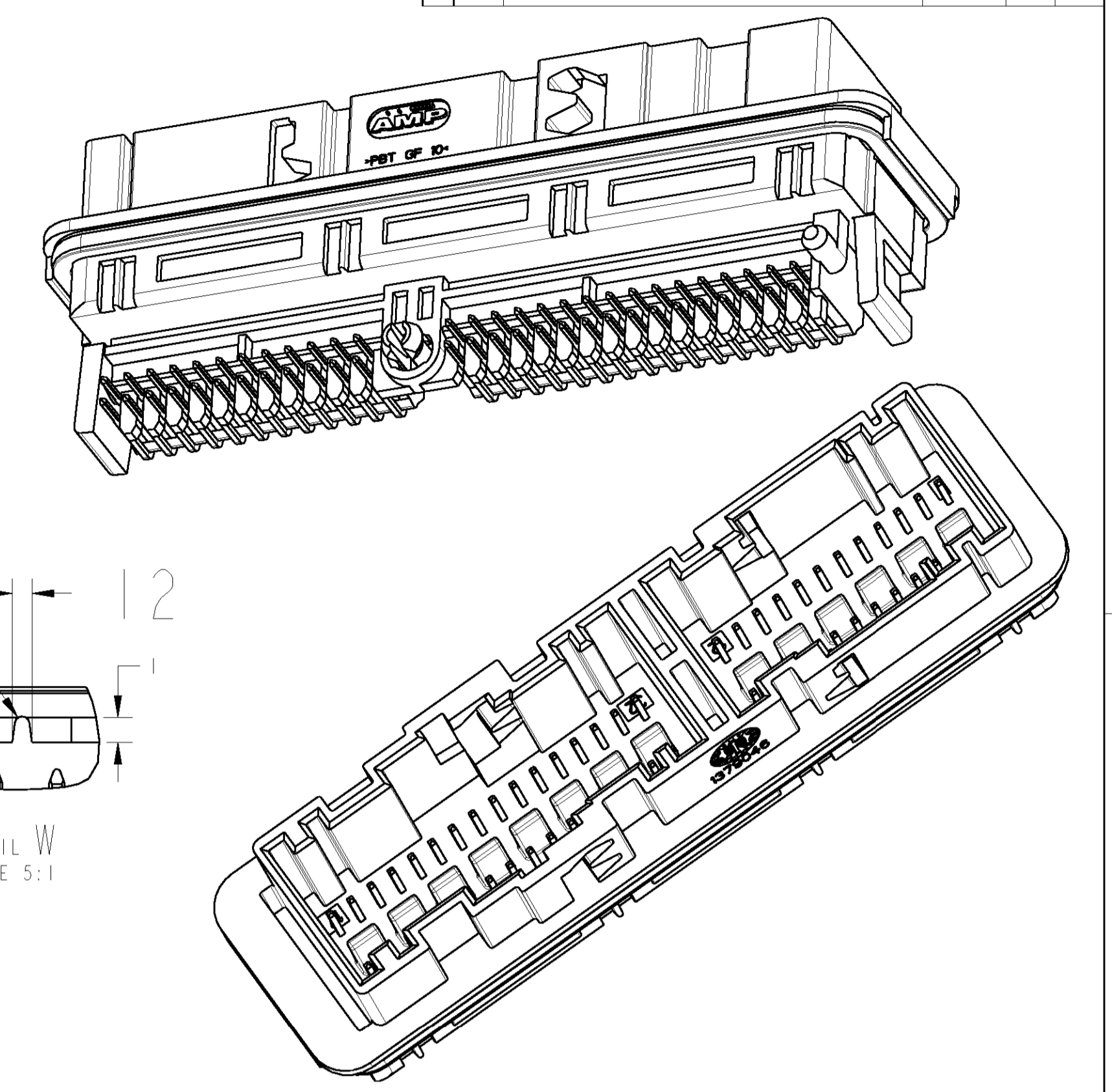
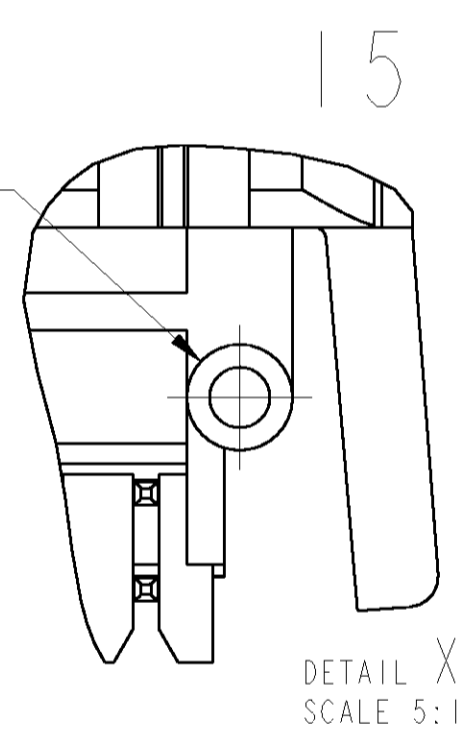
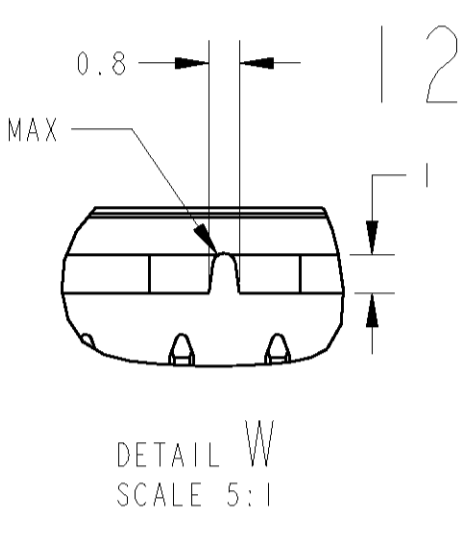
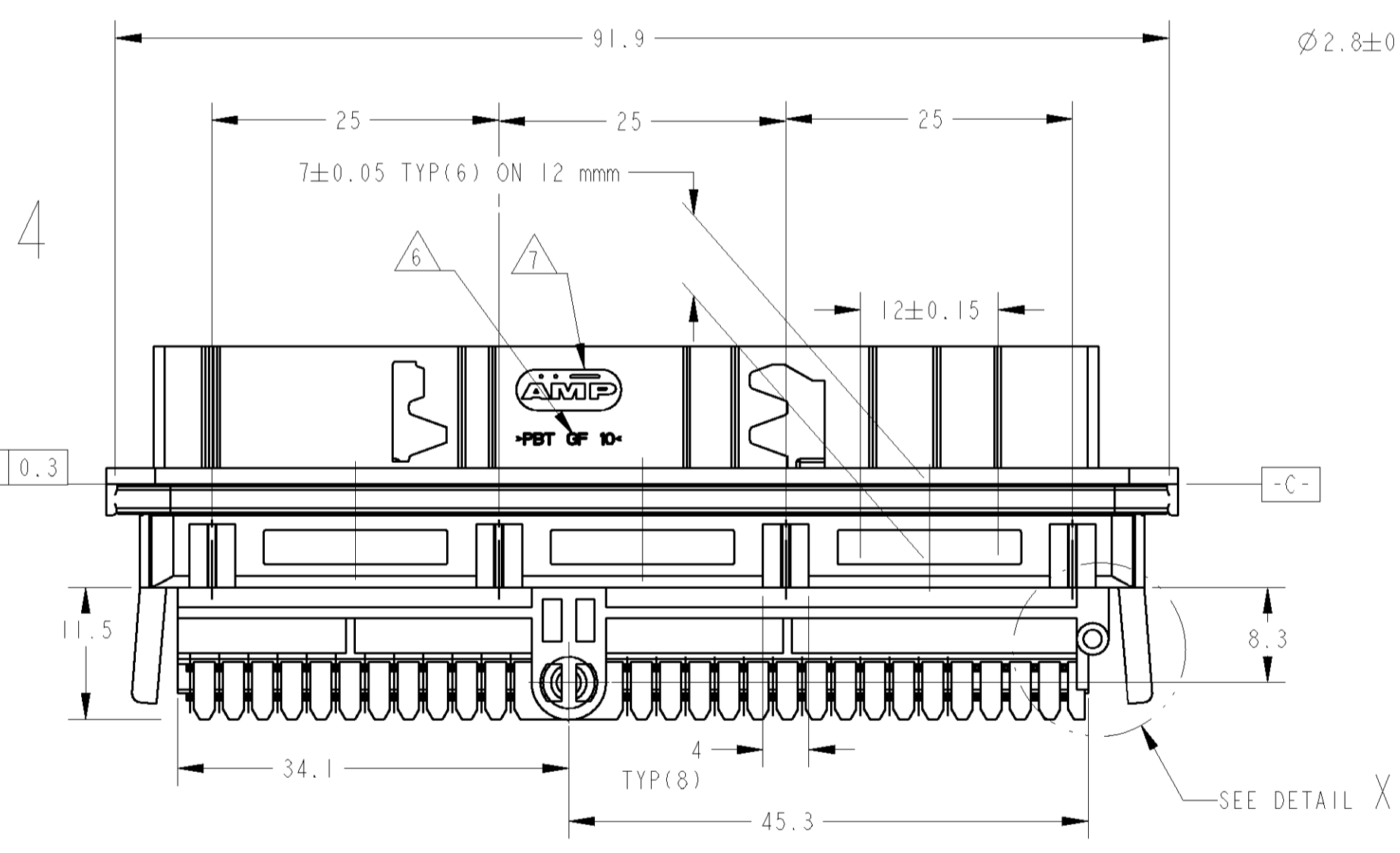
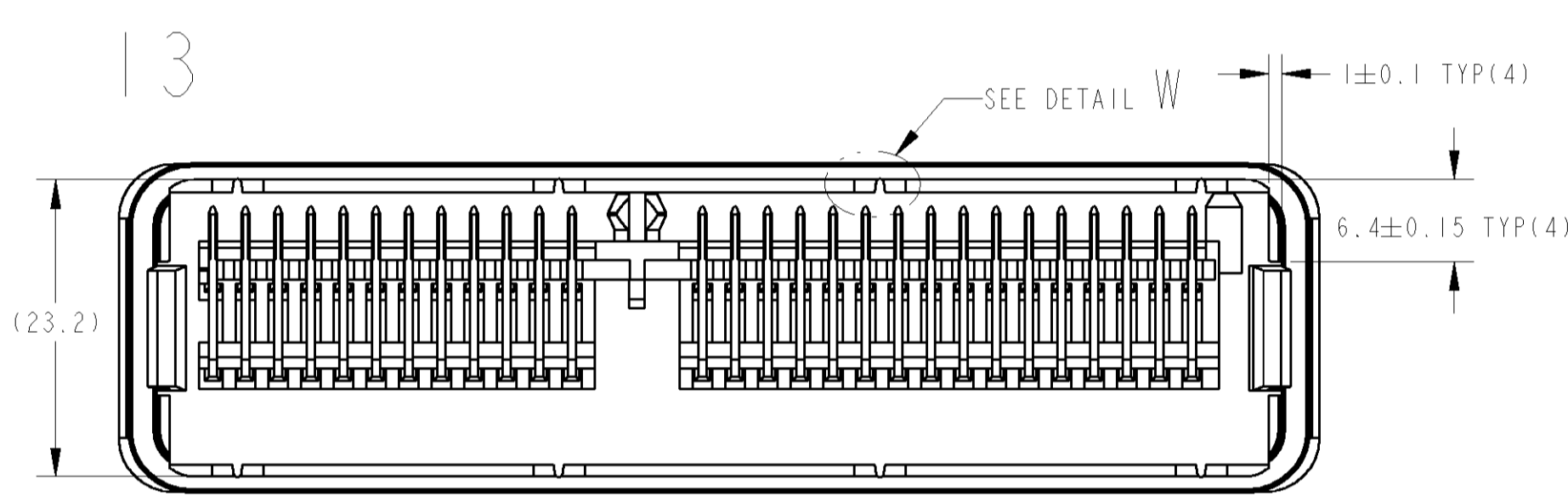
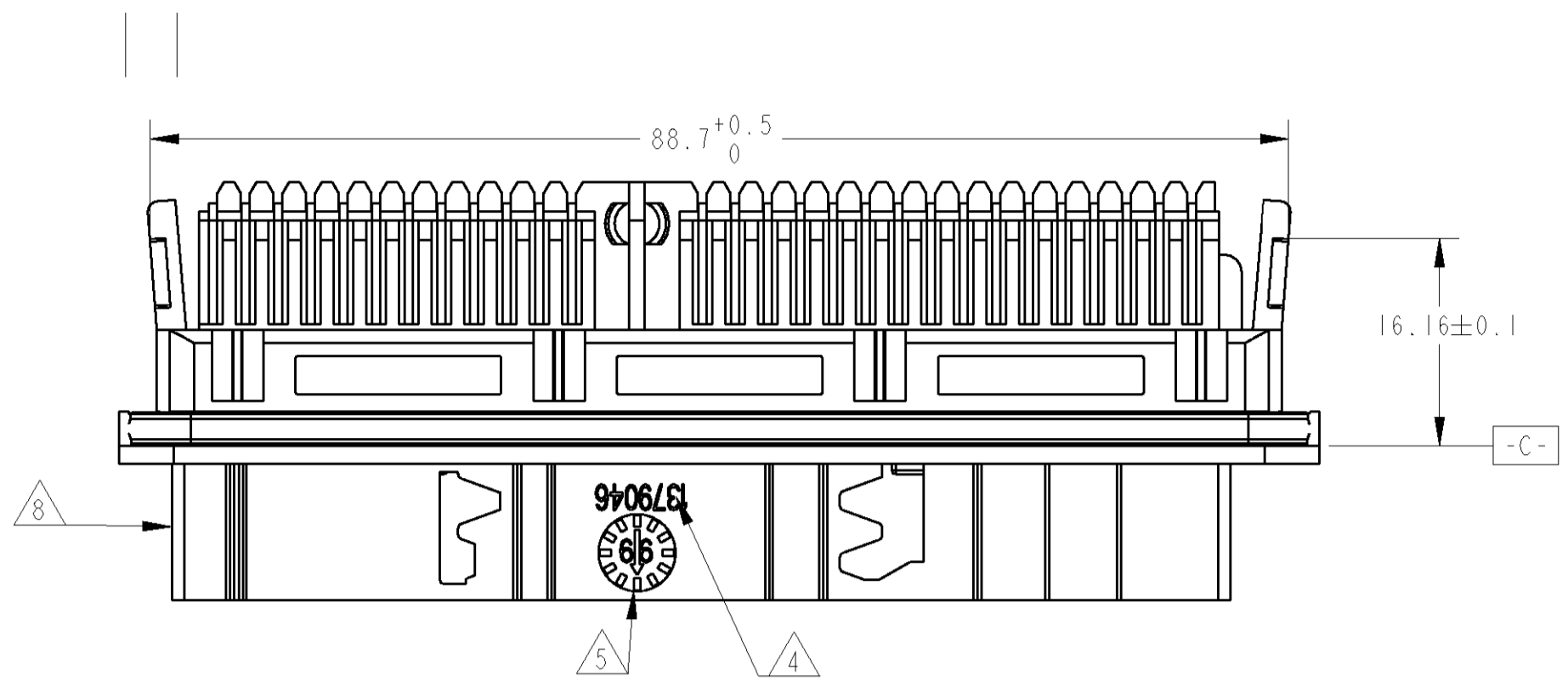
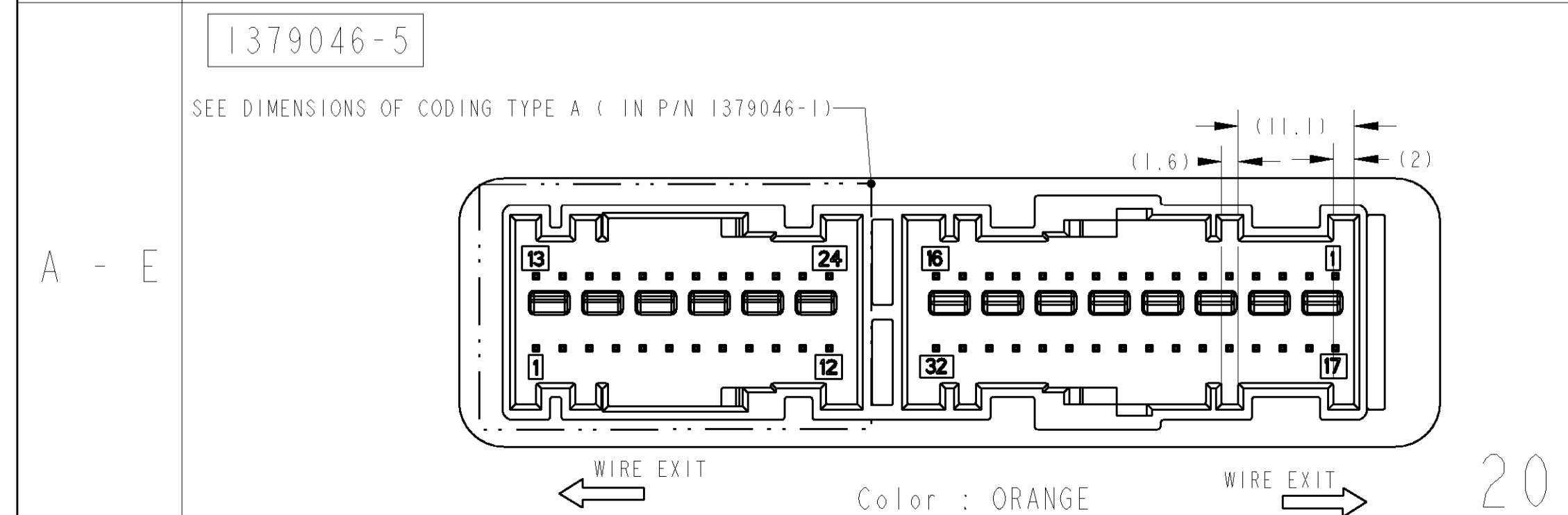
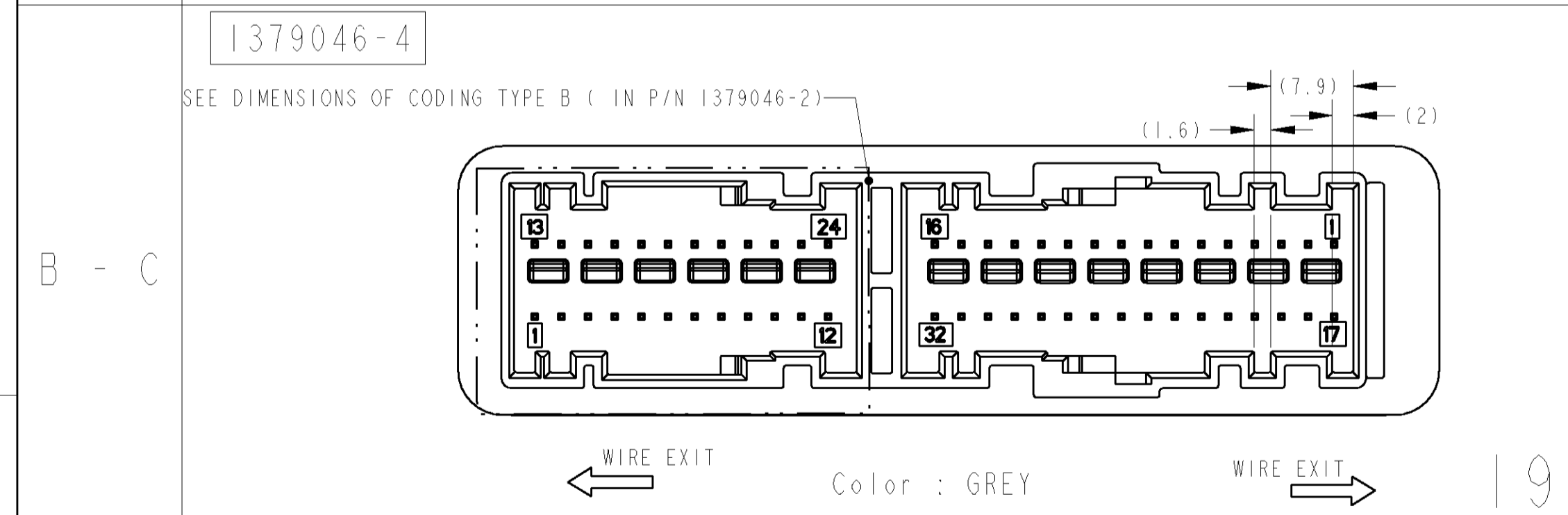
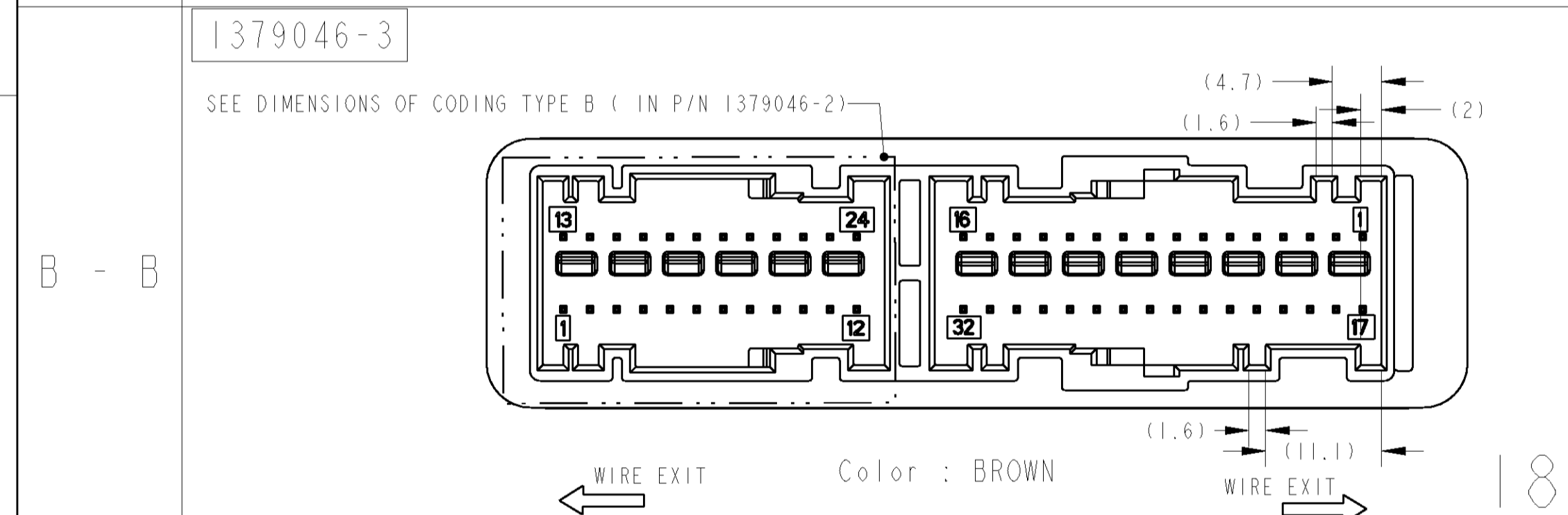
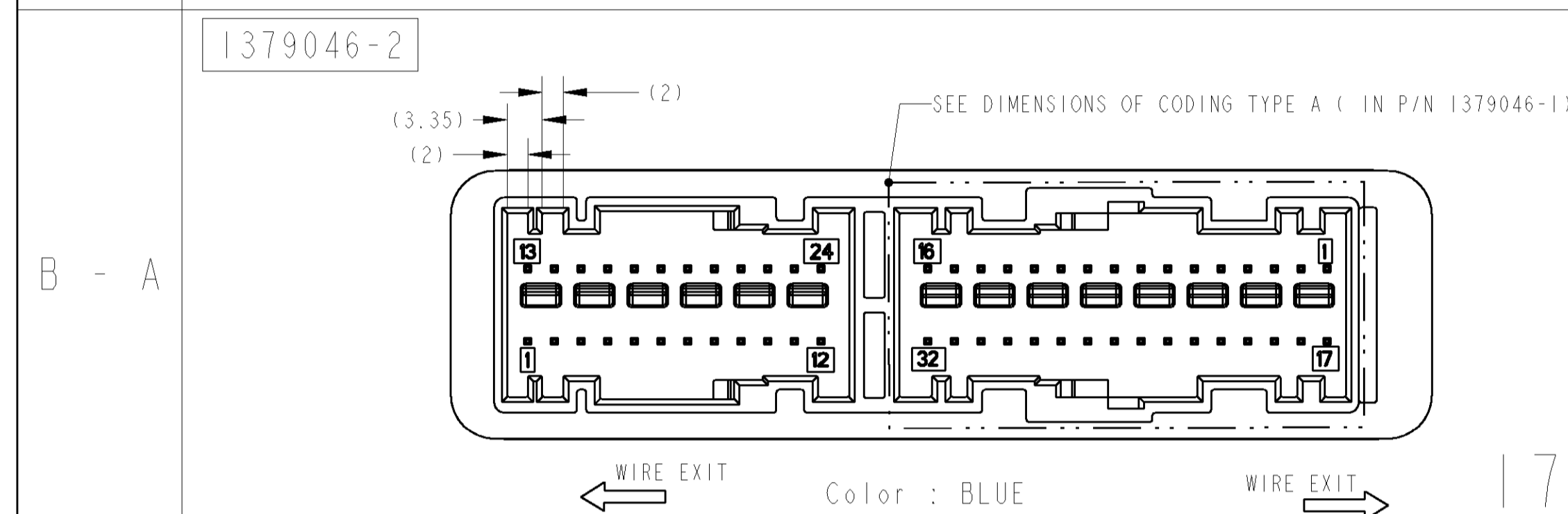
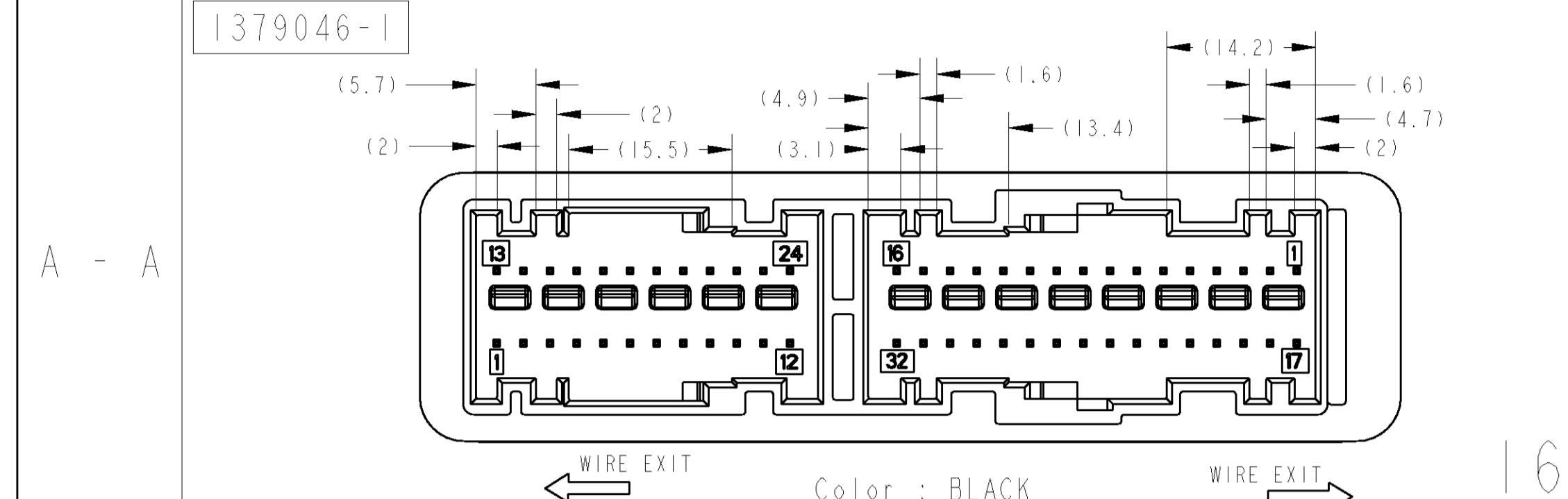


LOC	DIST	REV	DESCRIPTION	DATE	DWN	APPD
F	7		SEE SHEET 1			

CODE TYPE CODING



- NOTES:
- 1 TIN PLATED 2.5µm MINI OVER NICKEL
 - 2 GOLD PLATED 0.4µm MINI OVER NICKEL 1µm MINI
 - 3 CONTACTS : BRONZE (CuSn6)
 - 4 ASSY PART NUMBER : 1379046
 - 5 HOUSING DATE CODE
 - 6 MATERIAL REFERENCE : PBT GF 10
 - 7 AMP LOGO
 - 8 ASSY DATE CODE: DD M Y
 - 9 MATERIAL FOR SEALING : 50±5 SHORE A

<small>THIS DRAWING IS UNPUBLISHED. RELEASED FOR PUBLICATION. ALL RIGHTS RESERVED.</small>		DWN: J. LAQUERBE 02-FEB-00 CDR: J. LAQUERBE 28-APR-00 APVD: J. REVILL 28-APR-00	AMP DE FRANCE 95301 PONTOISE
DIMENSIONS: mm 		TOLERANCES UNLESS OTHERWISE SPECIFIED: 0 PLC ±0.3 1 PLC ±0.2 2 PLC ±0.1 3 PLC ± 4 PLC ± ANGLES ±	NAME: 24 + 32 W MOS RIGHT ANGLE HEADER PRODUCT SPEC APPLICATION SPEC WEIGHT CUSTOMER DRAWING
MATERIAL: - FINISH: -		SCALE: 2:1 SHEET: 2 OF 2 REV: E	SIZE: A1 CAGE CODE: 00779 DRAWING NO: C-1379046

单击下面可查看定价，库存，交付和生命周期等信息

[>>TE Connectivity\(泰科\)](#)