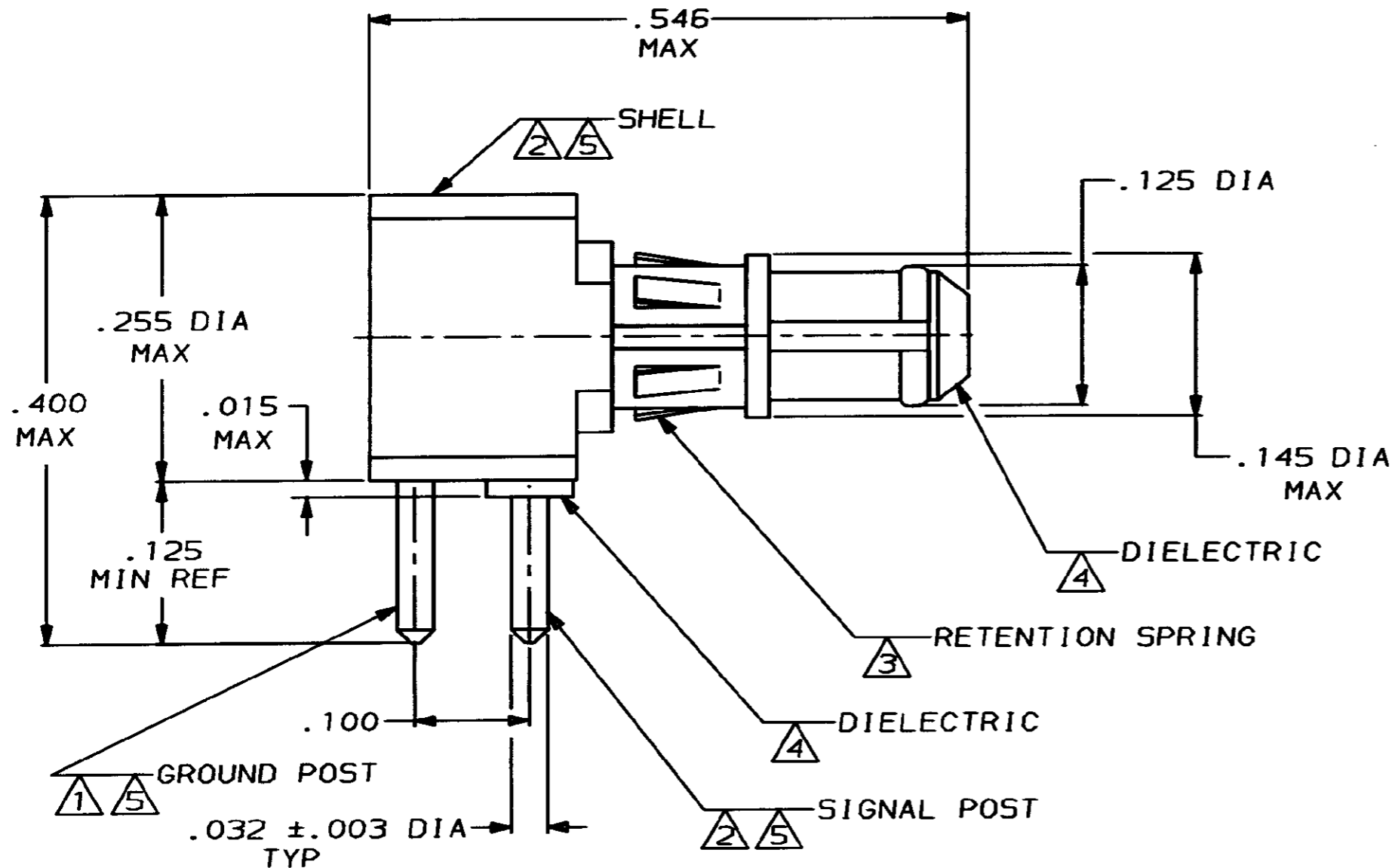
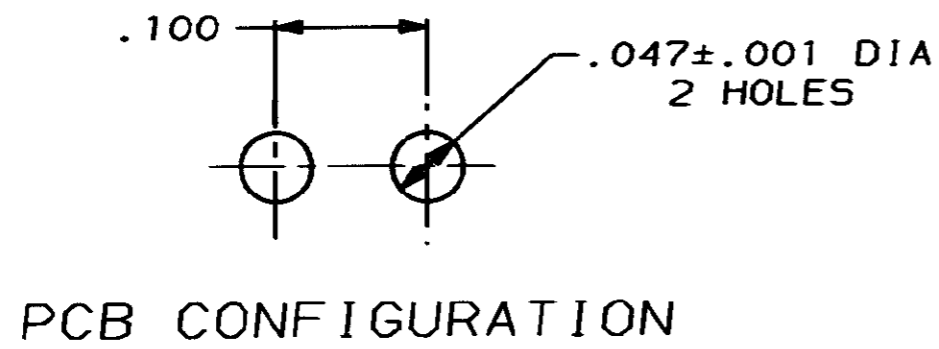


THIS DRAWING IS UNPUBLISHED. RELEASED FOR PUBLICATION, 19
 © COPYRIGHT 19 BY AMP INCORPORATED. ALL INTERNATIONAL RIGHTS RESERVED.

LOC	DIST	P	F	REVISIONS				
				ZONE	LTR	DESCRIPTION	DATE	APPD
AJ	16				H	REVISED PER AJ-3512	12-2-88	JK
					J	REVISED PER AJ-4021	7-18-89	JG



- 1 BRASS PER QQ-B-626
- 2 BERYLLIUM COPPER PER QQ-C-530
- 3 STAINLESS STEEL PER QQ-S-766
- 4 PTFE PER MIL-P-19468
- 5 GOLD PL PER MIL-G-45204
- 6. SEE I.S. 2923



DO NOT SCALE PRINT. UNLESS SPECIFIED DIMENSIONS IN INCHES TOLERANCES ON: 2 PLC DEC ± .005 3 PLC DEC ± .005 ANGLES ± .005		DR J. KELLEY 12-2-88	227602-1	
MATERIAL 1 2 3 4		CHK R. RUTH 12-21-88	PART NO	
FINISH 5		APPD JOHN ELLIS 1/4/89	AMP INCORPORATED Harrisburg, Pa. 17105	
		APPD R. RUTH 1/4/89	CONTACT, PIN, RIGHT ANGLE, PCB, MICROMINIATURE	
		PRODUCT SPEC 108-12049	SIZE B	FSCN NO 00779
		APPLICATION SPEC -	SCALE 8 : 1	DRAWING NO 227602-1
		WEIGHT -	SHEET 1 OF 1	

单击下面可查看定价，库存，交付和生命周期等信息

[>>TE Connectivity\(泰科\)](#)