

REVISIONS

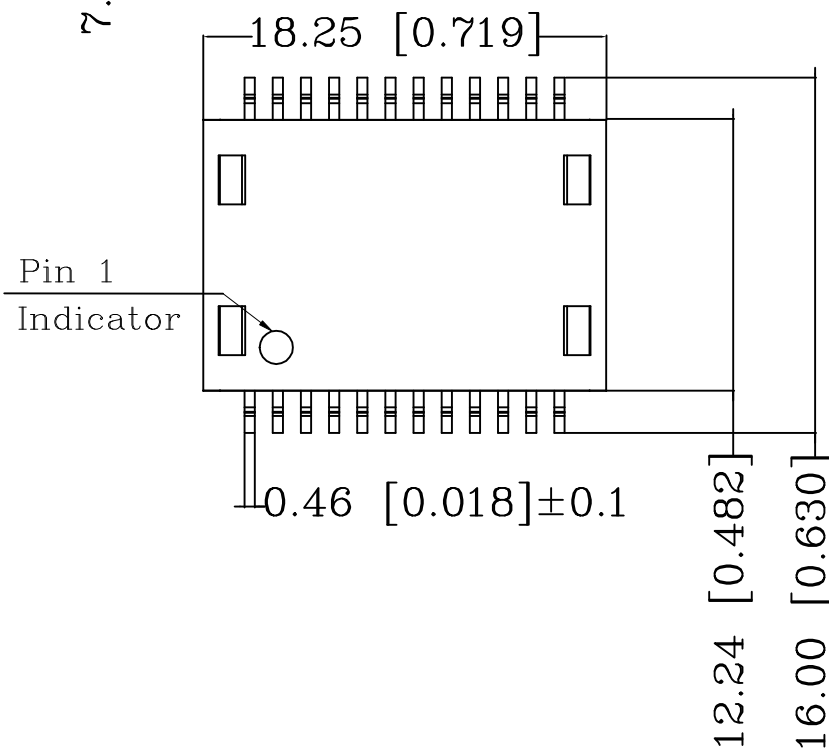
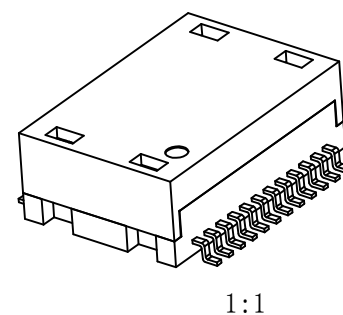
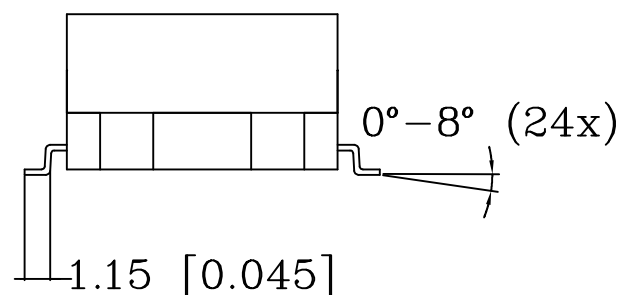
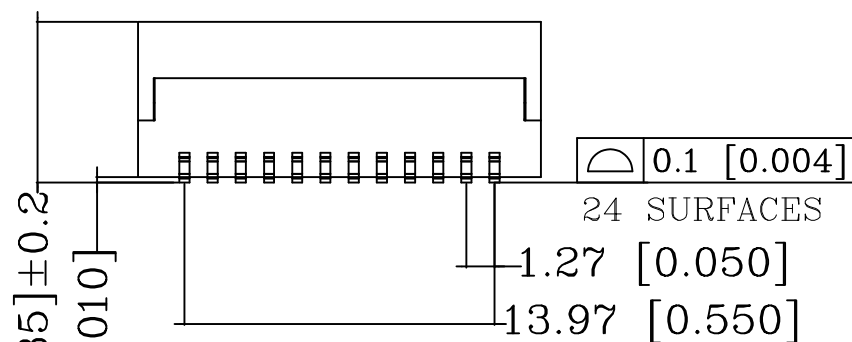
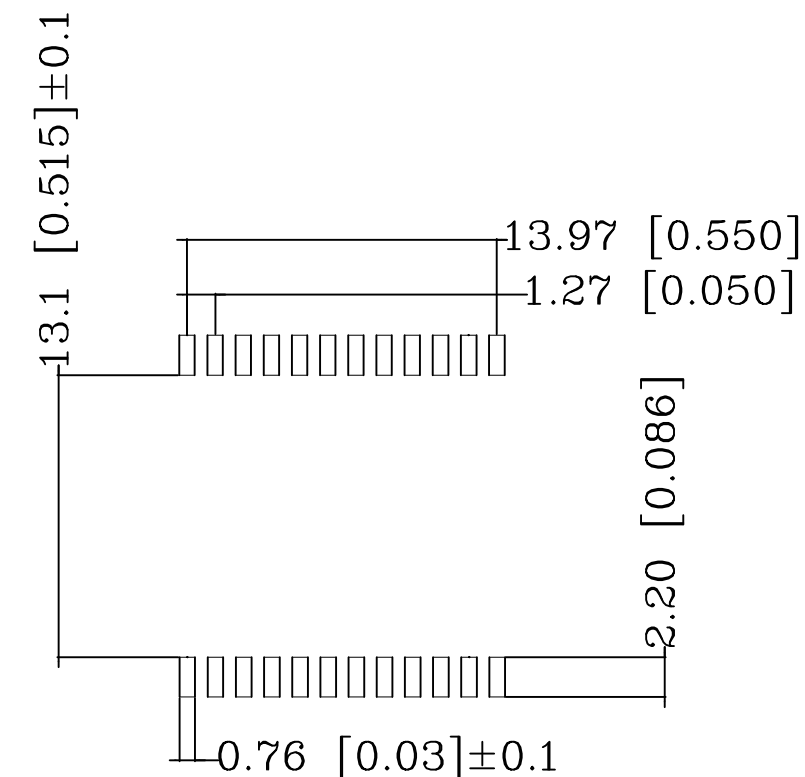
| P | LTR | DESCRIPTION               | DATE      | DWN | APVD |
|---|-----|---------------------------|-----------|-----|------|
|   | A2  | REVISED PER ECR-19-000980 | 24JAN2019 | SR  | JDB  |

Material:

COVER : LCP, black, UL-94-V0  
 HEADER : Black WH-9100, UL-94-V0  
 LEAD FRAME: C5191-HV170-190 °  
 SOLDER PIN PLATING: 7 μm (275 μinch) TIN 1.27 μm (50 μinch) NICKEL OVER ALL

- 2 THE PART IS RECOMMENDED FOR REFLOW SOLDERING PROCESS PEAK  
 SOLDERING: TEMPERATURE MAX. +260 °C/-5 °C, MAX. 30s
- 3 OPERATING TEMPERATURE: T= -40 °C TO +105 °C
- 4 STORAGE TEMPERATURE: T= -40 °C TO +85 °C
- 5 MEET IEEE 802.3ab REQUIRMENT
- 6 UNLESS OTHERWISE SPECIFIED, SEE TABLE FOR ALL DIMENSIONS TOLERANCES
- 7 PACKAGING: REEL (T+R) ACCORDING TO PACKAGING SPECIFICATION 107-18128

SUGGESTED PCB LAYOUT



| TABLE OF TOLERANCE (mm) |           |
|-------------------------|-----------|
| RANGE                   | TOLERANCE |
| 0-10                    | ±0.15     |
| >10-40                  | ±0.25     |
| >40-70                  | ±0.30     |
| >70                     | ±0.40     |

|  |  |   |                          |   |                              |
|--|--|---|--------------------------|---|------------------------------|
| THIS DRAWING IS A CONTROLLED DOCUMENT. |  | DWN   | GANESH C M 05JUL2018     |   | <br>TE Connectivity          |
|  |  | CHK   | A.C. NGOUMGANG 05JUL2018 |   |                              |
|  |  | APVD  | J. DE BRUIJN 05JUL2018   |   |                              |
|  |  | PRODUCT SPEC  | 108-94693                |   |                              |
|  |  | APPLICATION SPEC  | 114-94555                |   | NAME                         |
|  |  | WEIGHT  | CUSTOMER DRAWING         |   | DISCR.ETH.MAG. 1G SINGLE SMT |
| DIMENSIONS:<br>mm [INCHES]             |  | TOLERANCES UNLESS OTHERWISE SPECIFIED:                                      |                          | SIZE CAGE CODE DRAWING NO RESTRICTED TO |                              |
|  |  | 0 PLC ± -<br>1 PLC ± -<br>2 PLC ± -<br>3 PLC ± -<br>4 PLC ± -<br>ANGLES ± - |                          | A3 00779 C=2337822-2                    |                              |
| MATERIAL 1                             |  | FINISH 1  |                          | SCALE 3:1 SHEET 1 of 2 REV A2           |                              |

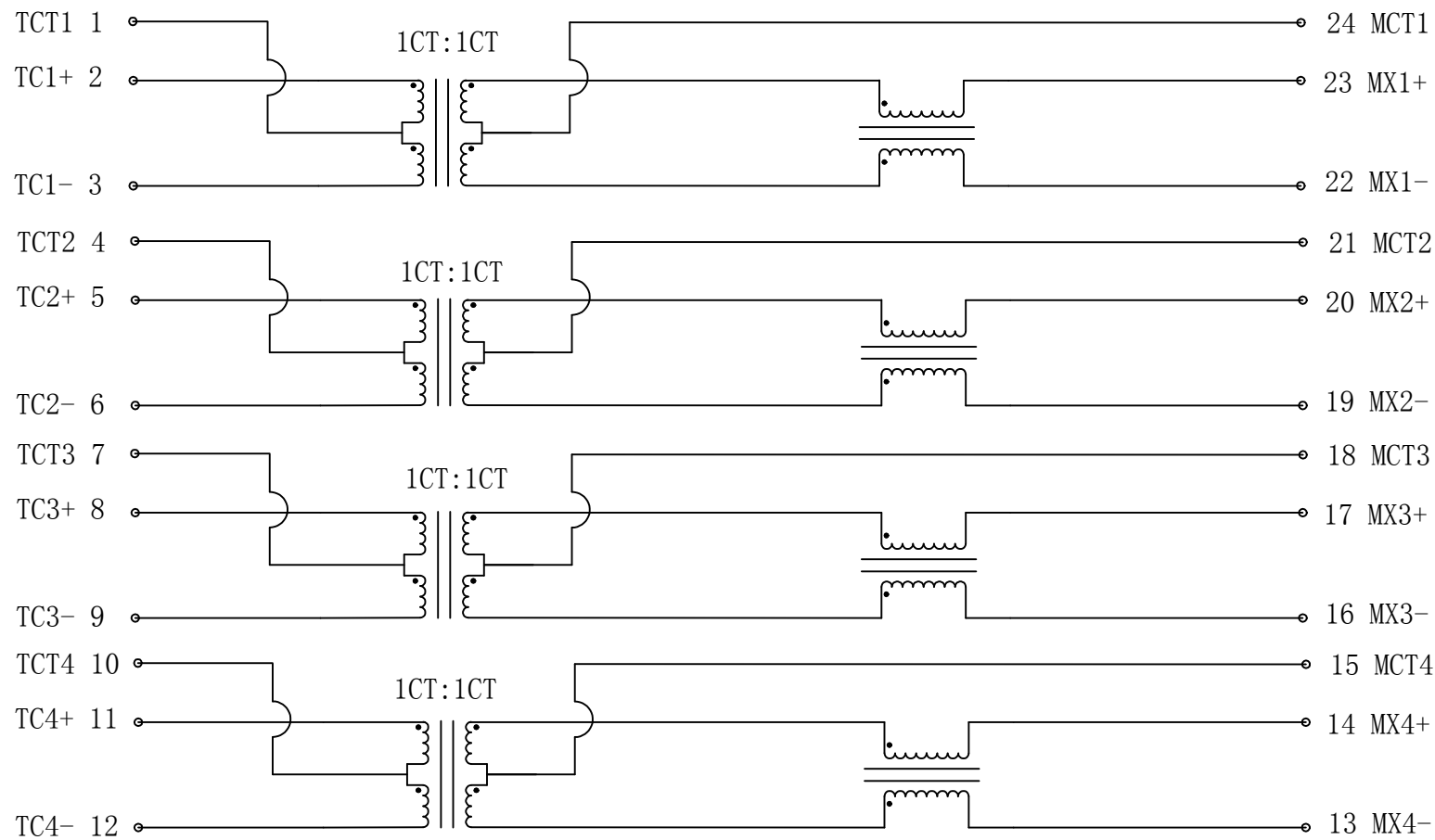
THIS DRAWING IS UNPUBLISHED RELEASED FOR PUBLICATION - ,2018.

© COPYRIGHT - 2017 by TE Connectivity Germany GmbH ALL RIGHTS RESERVED.

REVISIONS

| P | LTR | DESCRIPTION | DATE | DWN | APVD |
|---|-----|-------------|------|-----|------|
| - | -   | SEE SHEET 1 | -    | -   | -    |

CIRCUIT DIAGRAM



Electrical Specifications @ 25 °C  
(Unless other specified meet IEEE 802.3 Specification)

|  |             |               |
|--|-------------|---------------|
| Turn Ratio   | 1CT:1CT ±2% |               |
| Inductance (OCL)<br>@100kHz/0.1V with 8mA<br>DC Bias | 350 µH min. |               |
| Insertion Loss                                       | 0.1-100MHz  | -1 dB max.    |
| Return Loss<br>(Zout = 100 OHMS)                     | 1-30MHz     | -18 dB min.   |
|  | 40MHz       | -14.4 dB min. |
|  | 50MHz       | -13.1 dB min. |
|  | 80MHz       | -12 dB min.   |
| Crosstalk  | 100MHz      | -10 dB min.   |
|  | 30MHz       | -40 dB min.   |
|  | 60MHz       | -35 dB min.   |
| DCMR   | 100MHz      | -30 dB min.   |
|  | 30MHz       | -40 dB min.   |
|  | 60MHz       | -35 dB min.   |
| Isolation Voltage<br>(Input - Output)                | 1500 Vrms   |               |



CONTROL CODE

DATE CODE

"0213"

YY-YEAR

WW-WEEK

THIS DRAWING IS A CONTROLLED DOCUMENT.

|                            |  |   |   |                 |           |            |
|----------------------------|--|---|---|-----------------|-----------|------------|
| DIMENSIONS:<br>mm [INCHES] | TOLERANCES UNLESS OTHERWISE SPECIFIED:   | DWN<br>GANESH C M<br>05JUL2018  | TE Connectivity<br>NAME<br>DISCR.ETH.MAG. 1G SINGLE SMT |                 |           |            |
| <br>MATERIAL<br>1          | 0 PLC ± -<br>1 PLC ± -<br>2 PLC ± -<br>3 PLC ± -<br>4 PLC ± -<br>ANGLES ± -<br>FINISH<br>1 | CHK<br>A.C. NGOUMGANG<br>05JUL2018<br>APVD<br>J. DE BRUIJN<br>05JUL2018<br>PRODUCT SPEC<br>108-94693<br>APPLICATION SPEC<br>114-94555<br>WEIGHT |   |                 |           | SIZE<br>A3 |
| CUSTOMER DRAWING           |  |   | SCALE<br>3:1  | SHEET<br>2 of 2 | REV<br>A2 |            |

单击下面可查看定价，库存，交付和生命周期等信息

[>>TE Connectivity\(泰科\)](#)