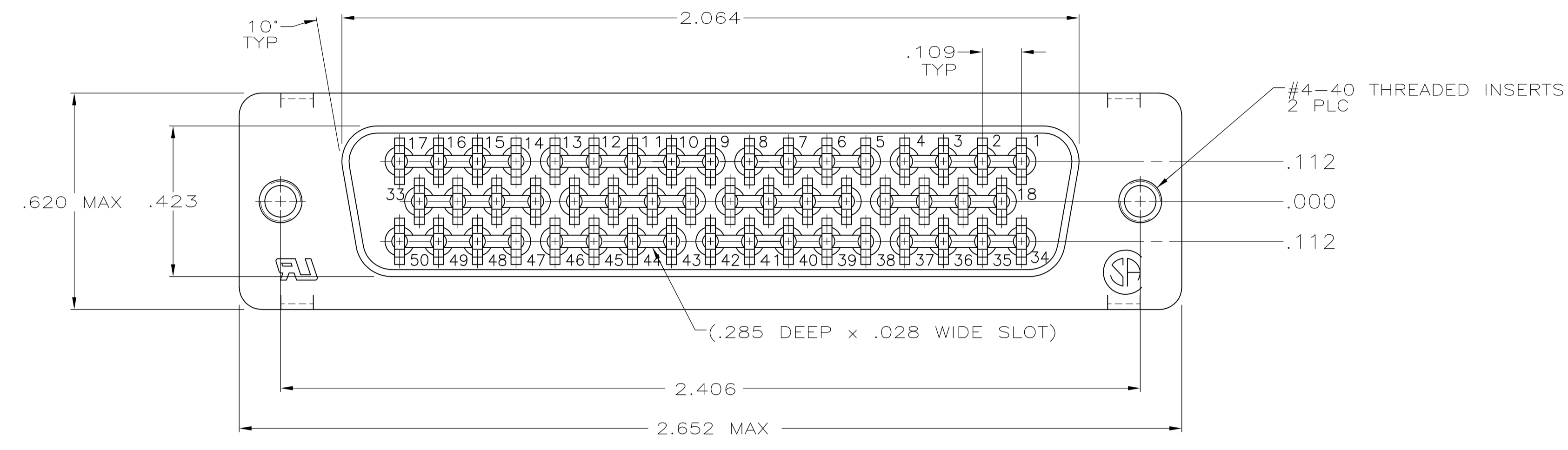
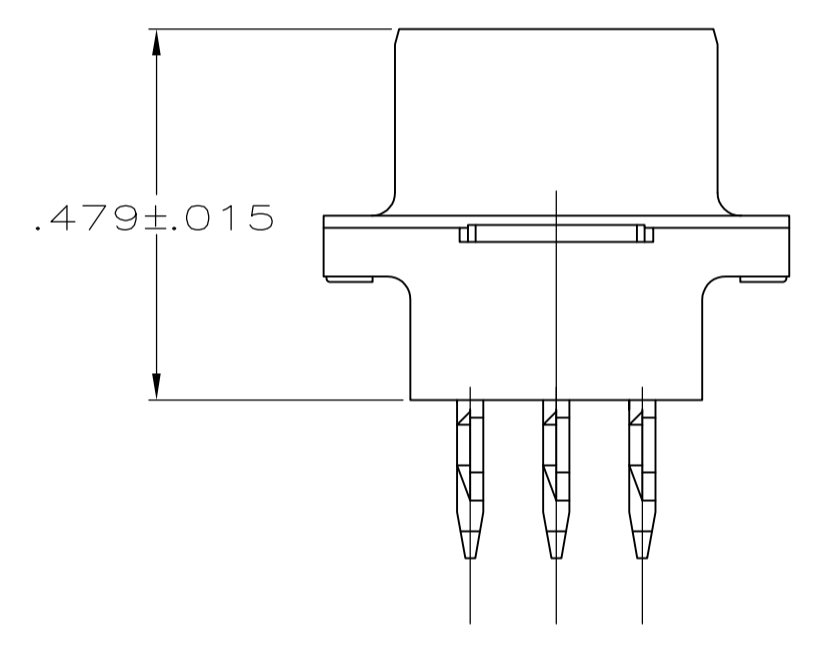
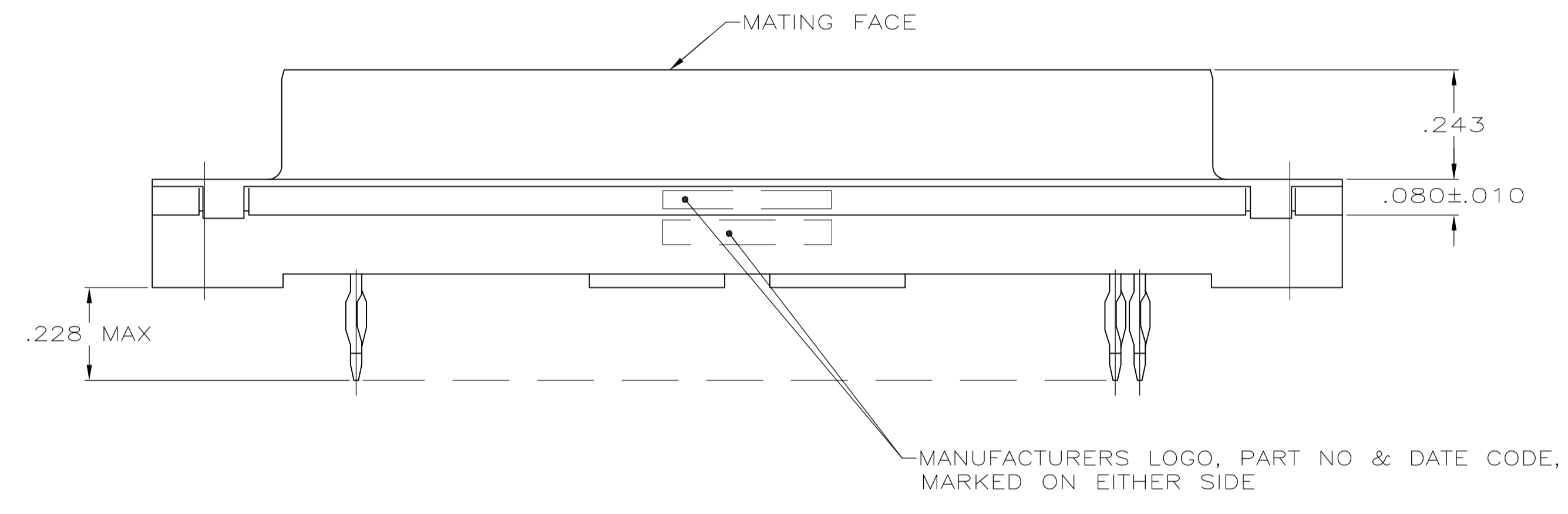


LOC		DIST		REVISIONS			
GP	00	REV	DATE	BY	APPV	DATE	DESCRIPTION
D		REVISED PER ECO-12-000090	26JAN2012	CJV	SLB		



- 1 FOR USE WITH .093 MINIMUM THICK PRINTED CIRCUIT BOARD. REFER TO APPLICATION SPECIFICATION FOR PRINTED CIRCUIT BOARD LAYOUT DIMENSIONS AND FINISH RECOMMENDATIONS.
- 2 GOLD FLASH ON MATING SURFACE, .000100 MIN TIN ON COMPLIANT PIN, ALL OVER .000050 MIN NICKEL.
- 3 0.76 MICRO METERS [.000030] MINIMUM GOLD IN MATING AREA. 2.54 MICRO METERS [.000100] MINIMUM TIN ON COMPLIANT PIN. ALL OVER 1.27 MICRO METERS [.000050] MINIMUM NICKEL. OR GOLD FLASH OVER PALLADIUM NICKEL. 0.76 MICRO METERS [.000030] MINIMUM TOTAL IN MATING AREA. 2.54 MICRO METERS [.000100] MINIMUM TIN ON COMPLIANT PIN. ALL OVER 1.27 MICRO METERS [.000050] MINIMUM NICKEL.
- 4 SHELL: .0002 MIN TIN OVER .000100 MIN COPPER. CONTACTS: SEE TABLE. INSERTS: UNPLATED
- 5 HOUSING: FLAME RETARDANT, UL 94V-0 RATED, THERMOPLASTIC; COLOR: BLACK. CONTACTS: COPPER ALLOY. SHELL: CARBON STEEL. INSERT: BRASS



HALF	3	5747144-2
HALF	2	5747144-1
INSERT THREAD LENGTH	CONTACT FINISH	PART NO.

THIS DRAWING IS A CONTROLLED DOCUMENT. DIMENSIONING AND TOLERANCING PER ASME Y14.5M-2009.

DIMENSIONS: INCHES	TOLERANCES UNLESS OTHERWISE SPECIFIED:	0 PLC ± -	1 PLC ± -	2 PLC ± -	3 PLC ± .005	4 PLC ± -	ANGLES ± °
--------------------	--	-----------	-----------	-----------	--------------	-----------	------------

MATERIAL	FINISH	WEIGHT	RESTRICTED TO
5	4	-	-

APPROVED	DATE	NAME
A. FERNANDEZ-DUCKS	03-31-09	M. WALMSLEY
S. BOLASH	03-31-09	

RCPT ASSY, SIZE 5, 50 POSN, AMPLIMITE HD-20 MDM PROFILE, W/ ACTION PIN CONT & METAL SHELL W/ #4-40 THREADED INSERTS.

SIZE: A1 | CAGE CODE: 114-40026 | DRAWING NO: 00779 | PART NO: 5747144

RESTRICTED CUSTOMER | SCALE: 4:1 | SHEET: 1 OF 1 | REV: D

单击下面可查看定价，库存，交付和生命周期等信息

[>>TE Connectivity\(泰科\)](#)