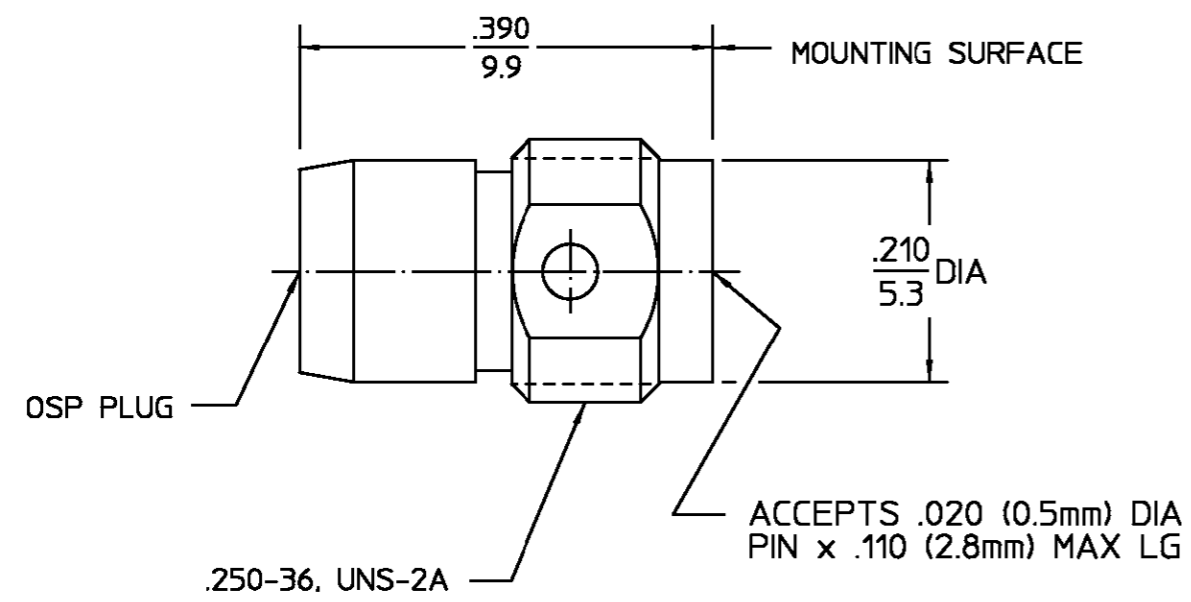


REVISIONS			
REV	DESCRIPTION	DATE	APPROVED
01	RELEASED	4/29/96	<i>D. Comello</i>



.XXX = in  
XX.X = mm

ELECTRICAL	MECHANICAL	ENVIRONMENTAL
Nominal Impedance (Ohms) 50	Interface Dimensions Per OMNI-SPECTRA CATALOG	Temperature Rating -65°C To +125°C
Frequency Range (GHz) DC - 18.0	Recommended Mating Torque N/A	Vibration - MIL-STD-202, Method 204, Condition D, 20G's
Volt Rating (VRMS MAX) 335 @ Sea Level	Mating Characteristics:	Shock - MIL-STD-202, Method 213, Condition I
VSWR 1.04 + .006 F(GHz)	Insertion (MAX Lbs) N/A	Thermal Shock MIL-STD-202, Method 107, Condition B
Insertion Loss (dB MAX) .03√F(GHz)	Withdrawal (MIN Oz) N/A	Except High Temp 115°C
RF Leakage (dB MIN) -(90 - F(GHz))	Force To Engage (Lbs MAX) 3.0	Moisture Resistance - MIL-STD-202, Method 106
Corona, 70,000 Ft (VRMS MIN) 85	Force To Disengage (Lbs MAX) 1.5	Corrosion - MIL-STD-202, Method 101, Condition B, 5% salt spray
Dielectric Withstanding Voltage (VRMS MIN) 1000 @ Sea Level	Center Contact Captivation	
Contact Resistance (Milliohms MAX)	Axial (Lbs) 6.0	
Center Contact 3.0	Radial (In-Oz) 4.0	
Outer Contact 2.0	Weight (Grams) T.B.D.	
RF High Potential (VRMS MIN @ 5 MHz) 670 @ Sea Level		
I.R.(Megohms) 5000		

COMPONENT	MATERIAL	FINISH
HOUSING	STAINLESS STEEL PER ASTM-A484 AND ASTM-A582, TYPE 303	PASSIVATE PER ASTM-A380
DIELECTRIC	TFE FLUOROCARBON PER ASTM-D-1457	N/A
CENTER CONTACT	BERYLLIUM COPPER PER ASTM B 196, ALLOY	GOLD PLATE PER MIL-G-45204

UNLESS OTHERWISE SPECIFIED DIMENSIONS ARE IN INCHES TOLERANCE ON	FRAC. ± 1/64	DEC. ± .005	ANGLES ± 1°	DRAWN BY: <i>D. Comello</i> DATE: 4/29/96 CHECKED BY: <i>D. Comello</i> APP'D BY: <i>D. Comello</i> DATE: 4/29/96	AMP Incorporated 140 Fourth Avenue Waltham, MA 02451-7599
	These drawings and specifications are the property of M/A-COM incorporated and shall not be reproduced or copied or used in whole or in part as the basis for the manufacture or sale of item(s) without written permission.				

USE ASS'Y PROCEDURE	TITLE OSP FIELD REPLACEABLE PANEL FEEDTHROUGH PLUG RECEPTACLE - SOCKET TERM		
NO. AP. 408-04604 (45-130)	SIZE B	CODE IDENT NO. 26805	REV 01
	SCALE 5:1	4557-5366-02	SHEET 1 OF 1

CUSTOMER DRAWING AMP PART # 1059648-1 SHEET 1 OF 1 REV A

单击下面可查看定价，库存，交付和生命周期等信息

[>>TE Connectivity\(泰科\)](#)