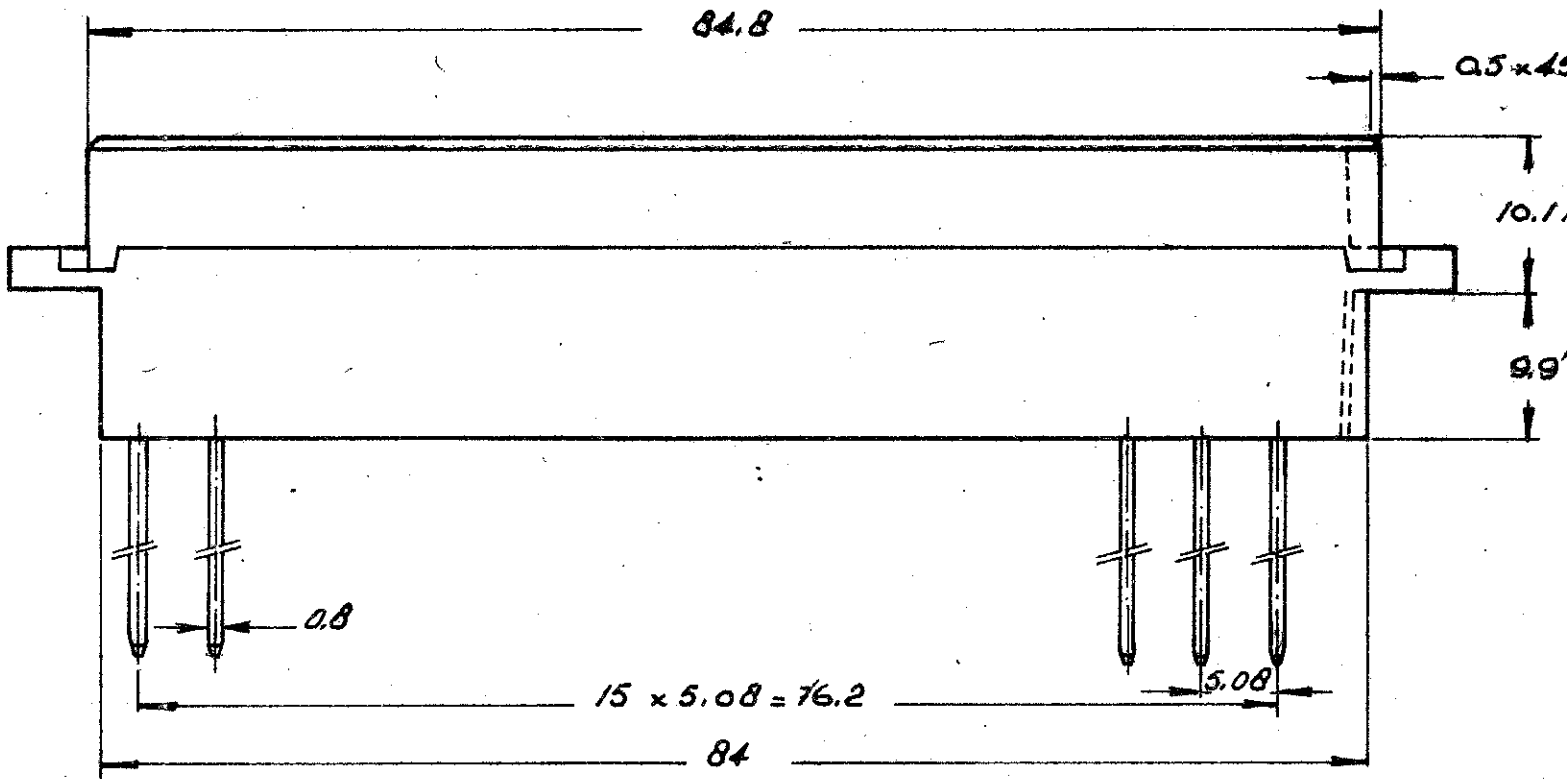
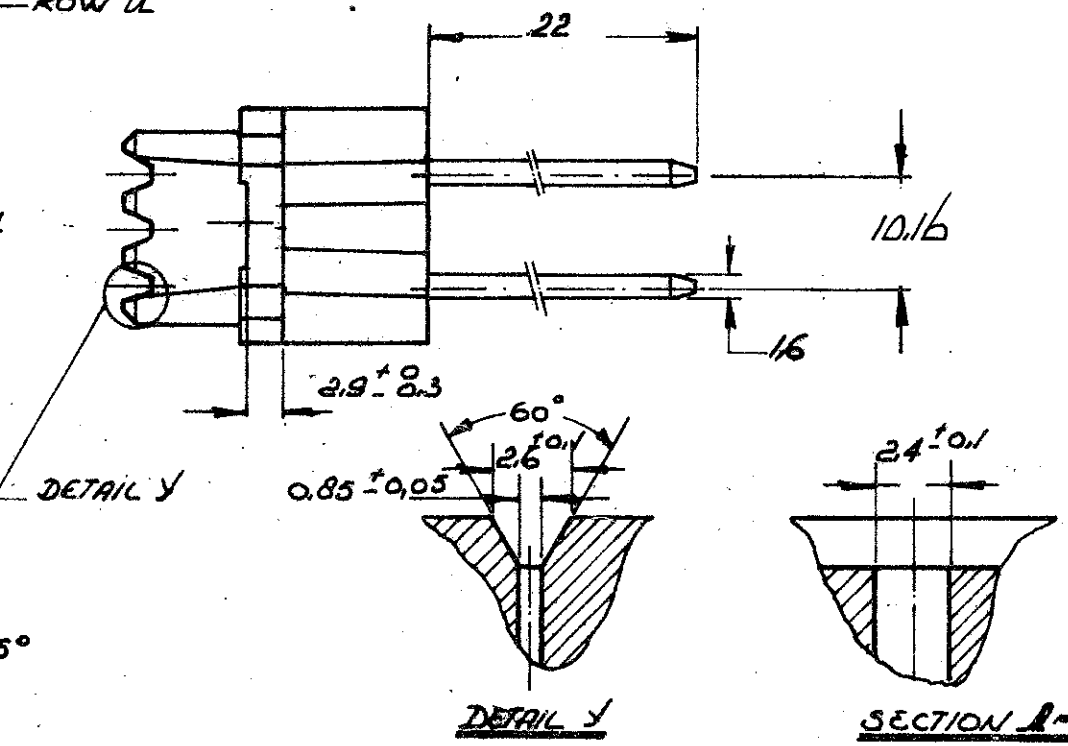
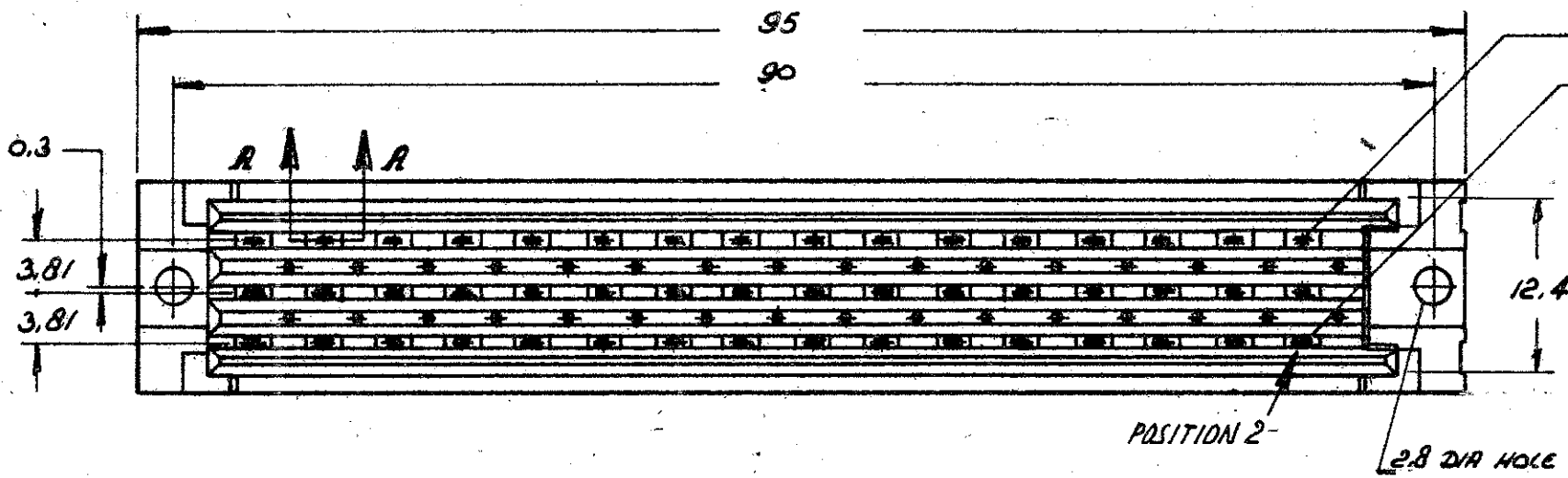


LTR	REVISION RECORD	DATE	DWN	APVD
J	REVISED PER ECO-15-005333	08JUL2015	AP	RP



OBSOLETE	2-164430-8	HOUSING: CLASSIFIED POLYCARBONATE (GREY) CONTACTS: PHOSPHOR BRONZE.	AT CONTACT AREA: EIC 60603-2 PERFORMANCE LEVEL III OVER NICKEL. AT POST AREA: GOLD FLASH OVER NICKEL.
OBSOLETE	2-164430-7		AT CONTACT AREA: 2.0 μm Au OVER 1.25 μm Ni. AT POST AREA: GOLD FLASH OVER 1.25 μm Ni.
OBSOLETE	2-164430-6		AT CONTACT AREA: 3.75 μm Au OVER 1.25 μm Ni. AT POST AREA: GOLD FLASH OVER 1.25 μm Ni.
	2-164430-4		AT CONTACT AREA: EIC 60603-2 PERFORMANCE LEVEL II OVER NICKEL. AT POST AREA: GOLD FLASH OVER NICKEL.
OBSOLETE	2-164430-1		AT CONTACT AREA: EIC 60603-2 PERFORMANCE LEVEL I OVER NICKEL. AT POST AREA: GOLD FLASH OVER NICKEL.

AN ASTERISK * DENOTES A CONTACT.

CONTACT NO.	1	2	3	4	5	6	7	8	9	10	11	12	13	14	15	16	17	18	19	20	21	22	23	24	25	26	27	28	29	30	31	32		
ROW Z	X	X	X	X	X	X	X	X	X	X	X	X	X	X	X	X	X	X	X	X	X	X	X	X	X	X	X	X	X	X	X	X	X	
ROW b
ROW d	X	X	X	X	X	X	X	X	X	X	X	X	X	X	X	X	X	X	X	X	X	X	X	X	X	X	X	X	X	X	X	X		

ORDER NO.		MATERIAL		PLATING	
CUSTOMER COPY FOR REFERENCE ONLY					
NUMBER C-164430	DR	DATE	©1982 BY AMP-HOLLAND N.V. ALL RIGHTS RESERVED A-MP PRODUCTS COVERED BY PATENTS AND/OR PATENTS PENDING.		
	CHK	DATE			
	DE	DATE	WIRE RANGE	INSUL RANGE	FIRST USED
	APP	DATE	SCALE	SIZE	NO
			B	C-164430	J
NAME 32 POS. FEMALE RC. CONN. ACC. TO DIN 41612, WITH STANDARD TERM. POINT POSTS					

DIMENSIONS IN MM. DO NOT SCALE PRINT

单击下面可查看定价，库存，交付和生命周期等信息

[>>TE Connectivity\(泰科\)](#)