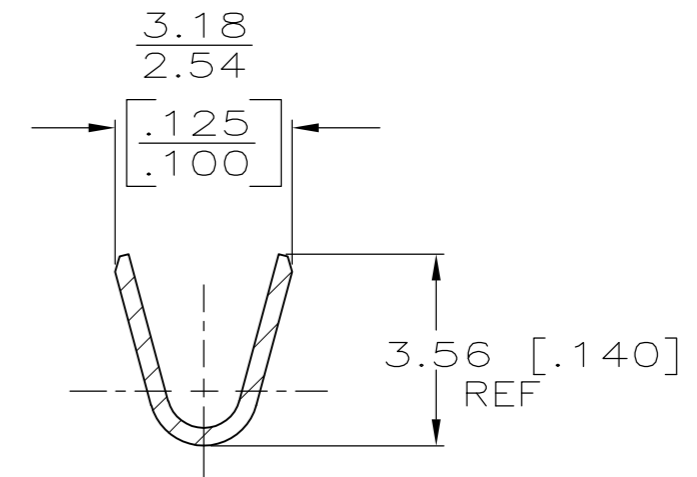
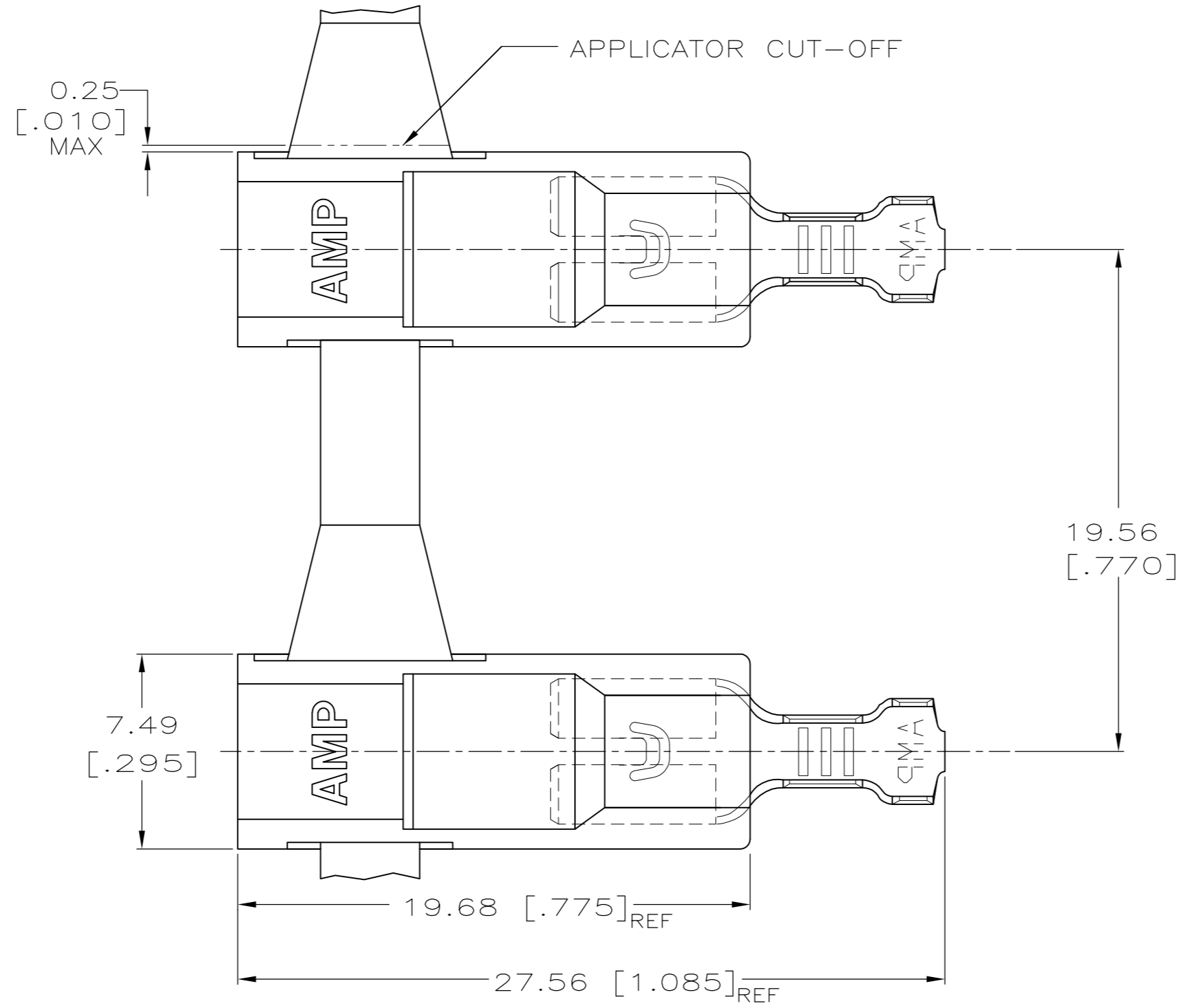


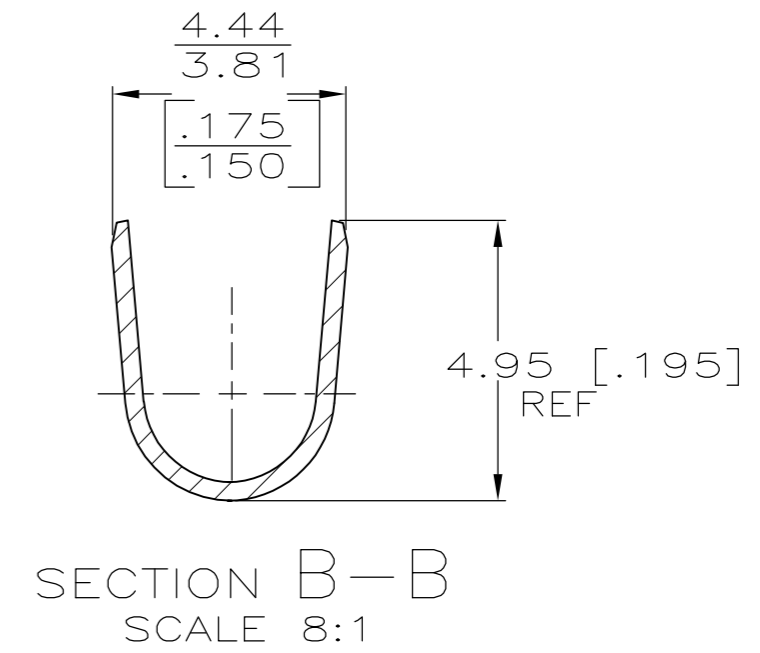
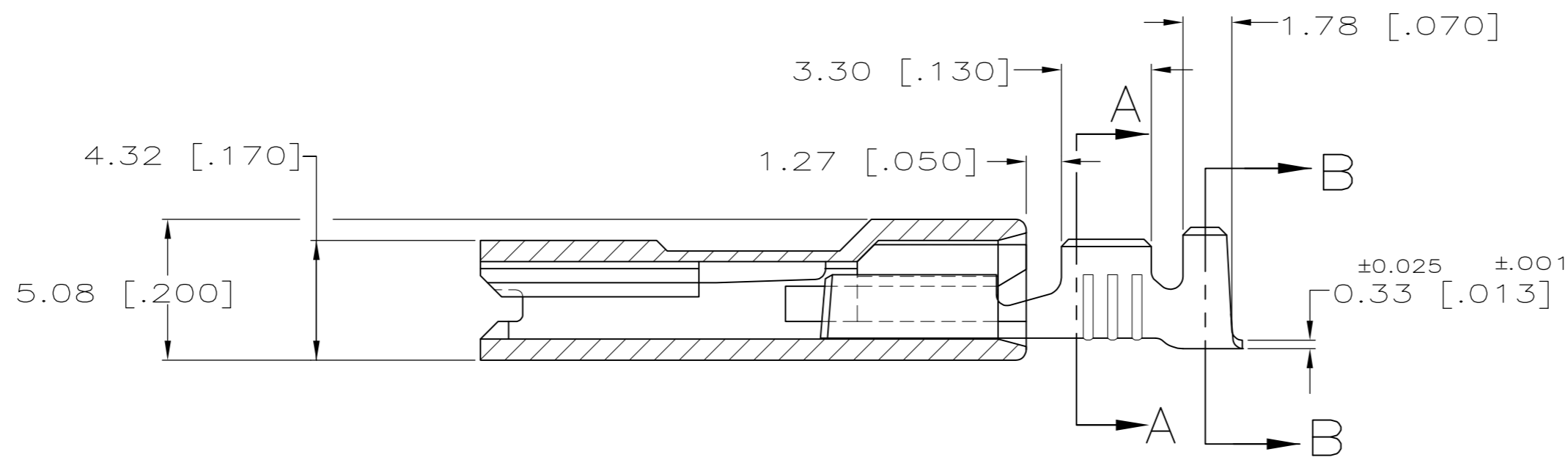
THIS DRAWING IS UNPUBLISHED. RELEASED FOR PUBLICATION
 © COPYRIGHT - By - ALL RIGHTS RESERVED.

LOC		DIST		REVISIONS			
P	LTR	DESCRIPTION	DATE	DWN	APVD		
AF	50	D		REVISED PER ECR-12-013219	08JAN13	KH	KR

- 1 FASTON TERMINALS, BASE P/N 63654, ARE USED IN THIS PRODUCT.
- 2 TIN PLATE PER MIL-T-10727, 0.002032 [.000080] MIN.



SECTION A-A
SCALE 8:1



SECTION B-B
SCALE 8:1

STANDARD	NATURAL	TIN	2.29-3.30 [.090-.130]	0.5-1.3 mm ² [20-16]	0.813 [.032]	521284-2
	NATURAL	PLAIN				521284-1
PACKAGING	HOUSING COLOR	TERMINAL FINISH	INSULATION RANGE	WIRE SIZE	MATING TAB THK±0.025 [±.001]	PART NO

THIS DRAWING IS A CONTROLLED DOCUMENT.

DIMENSIONS: mm [INCHES]	TOLERANCES UNLESS OTHERWISE SPECIFIED:	DWN JR RUTH 13MAR00	 TE Connectivity ASSEMBLY, RECEPTACLE, ULTRA-POD, 4.8 [187] SERIES
	0 PLC ± -	CHK MS FEHER 13MAR00	
	1 PLC ± -	APVD J HUMMEL 13MAR00	
	2 PLC ± -	PRODUCT SPEC 118-1285	
	3 PLC ± 0.25 [.010]	APPLICATION SPEC 114-2124	SIZE A2
	4 PLC ± -	WEIGHT -	CAGE CODE 00779
	ANGLES ± -	CUSTOMER DRAWING	DRAWING NO C=521284
MATERIAL TERMINAL - BRASS HOUSING - 6/6 V0 NYLON	FINISH TERMINAL - SEE TABLE HOUSING - SEE TABLE	RESTRICTED TO -	SCALE 5:1
		SHEET 1 of 1	REV D

单击下面可查看定价，库存，交付和生命周期等信息

[>>TE Connectivity\(泰科\)](#)