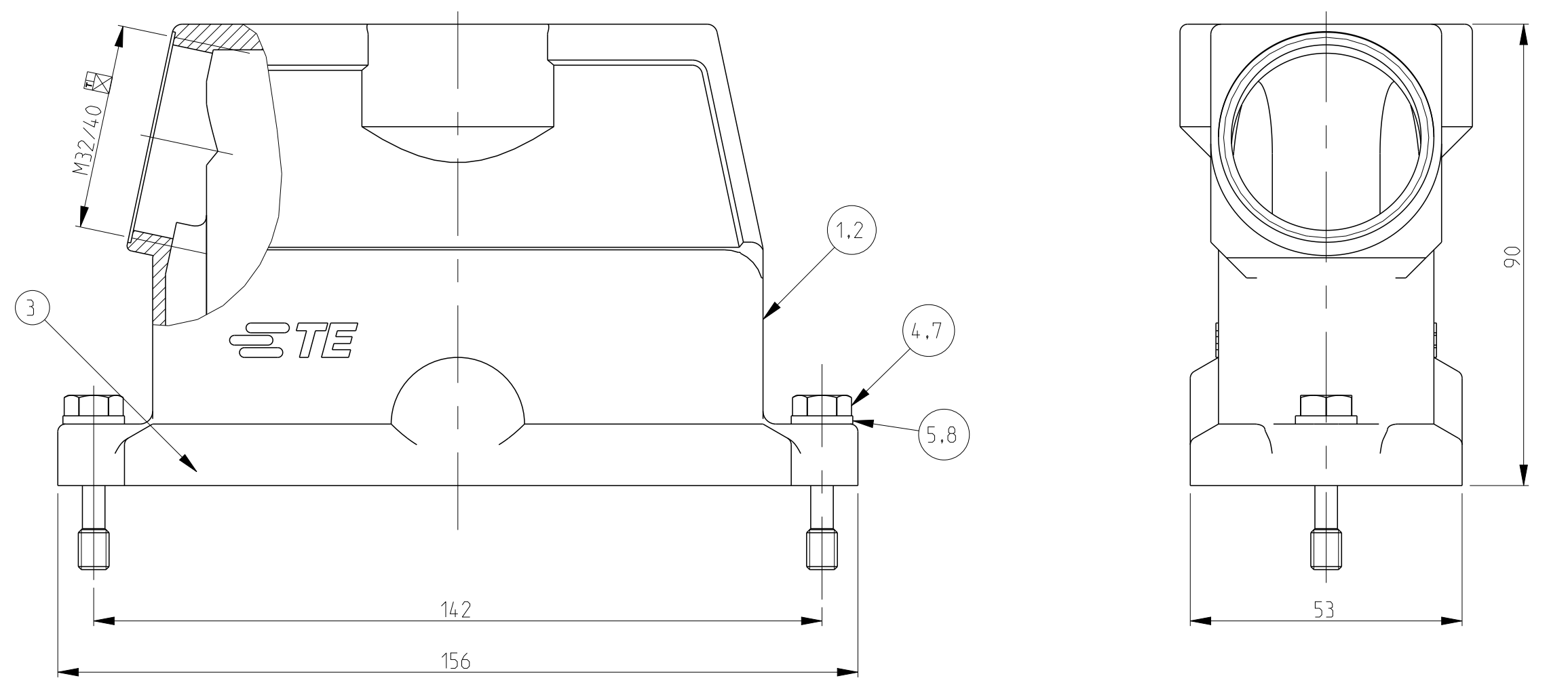
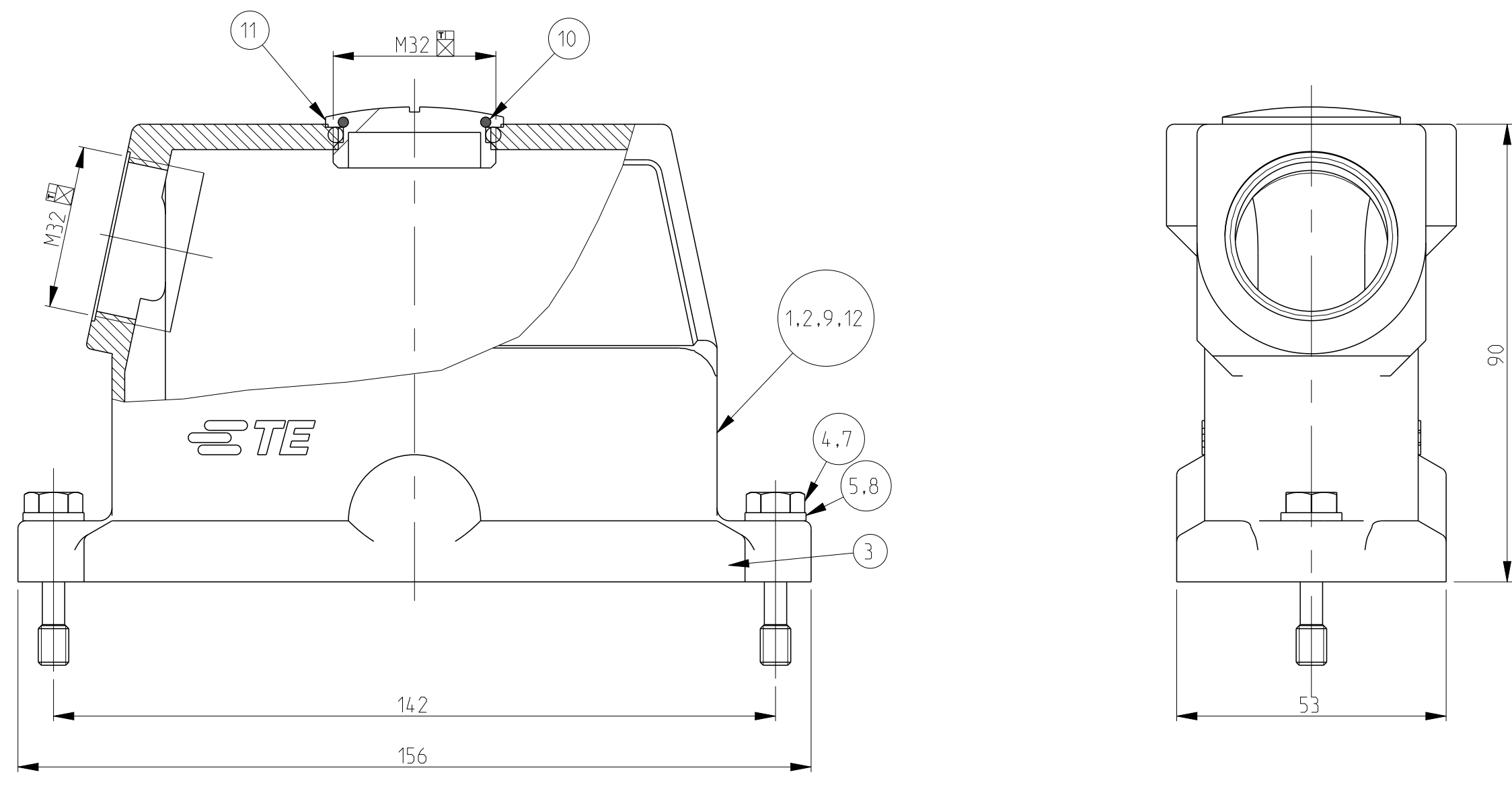


PN 0-2,0-3,0-8 & 1-2



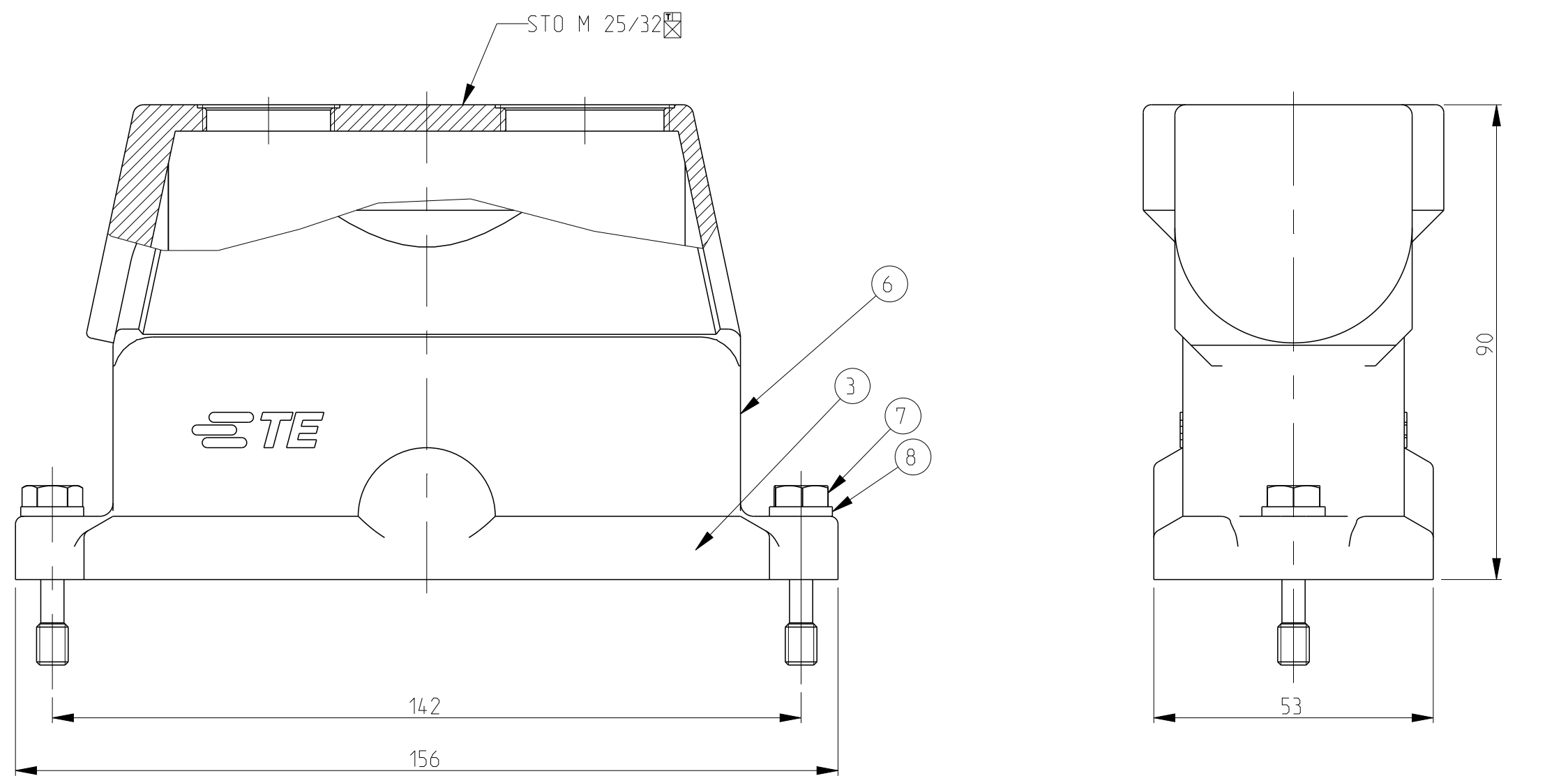
PN 0-9,1-0,1-1,1-4,1-8 & 1-9



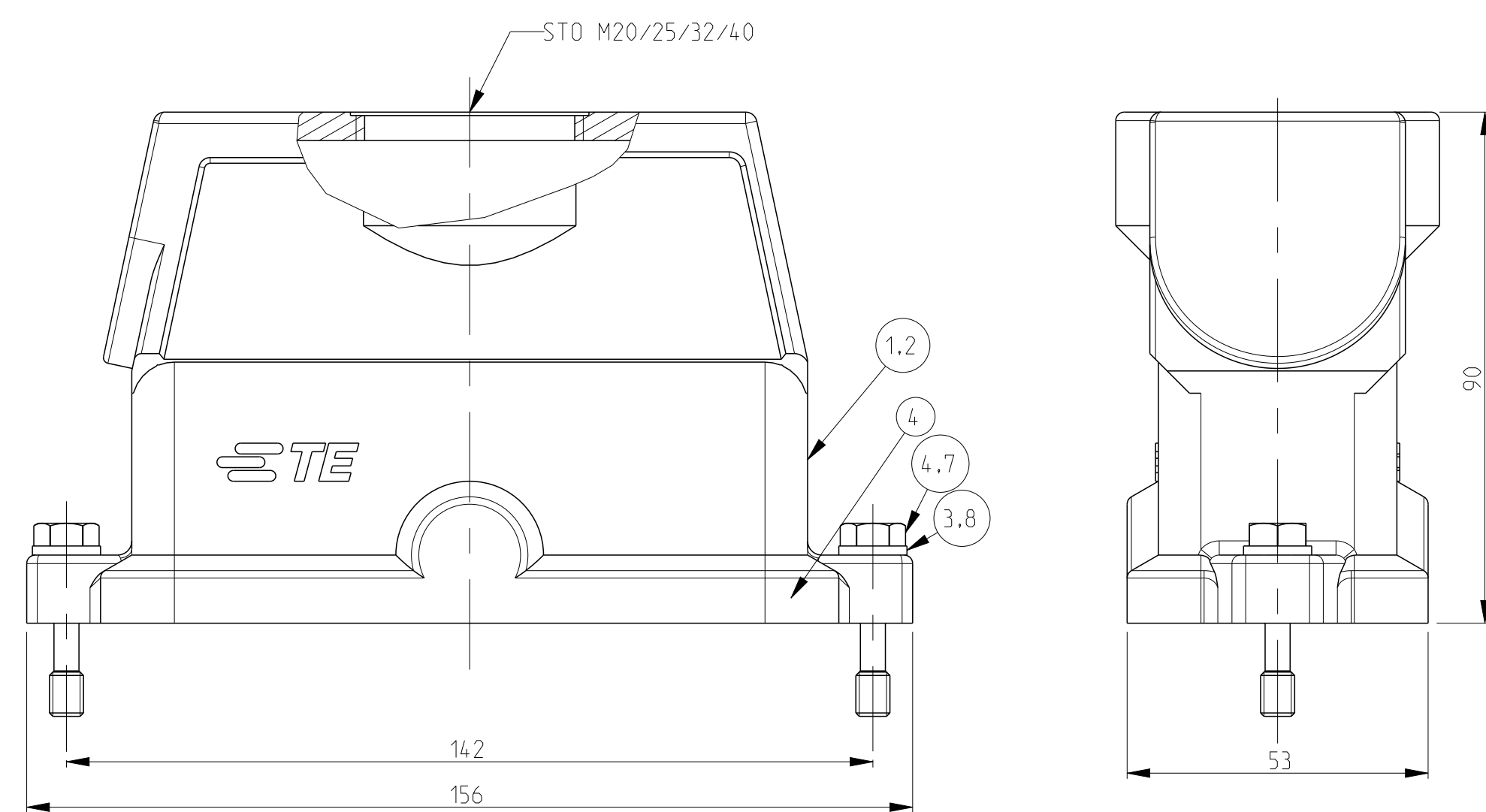
REV	DATE	DESCRIPTION	BY	APPD
A20	ECR-16-009337		PMDEC2016	GEM MKO
A21	ECR-16-016696		PMDEC2016	GEM MKO
A22	ECR-16-016780		19NOV2017	GR MKO
A23	ECR-17-014013		20MAR2018	SG MKO

- NOTES:
- Material:Housing:Aluminium Diecasting Alloy  
Seals:Neoprene conductivity
  - Surface:Varnish grey  
ChromITAL TCP passivation -Varnish Black
  - Packaging  
Quantity 5 Pieces in a box
  - Special Packaging  
Quantity 25 Pieces in a box
  - 5 Varnish on the inside not necessarily

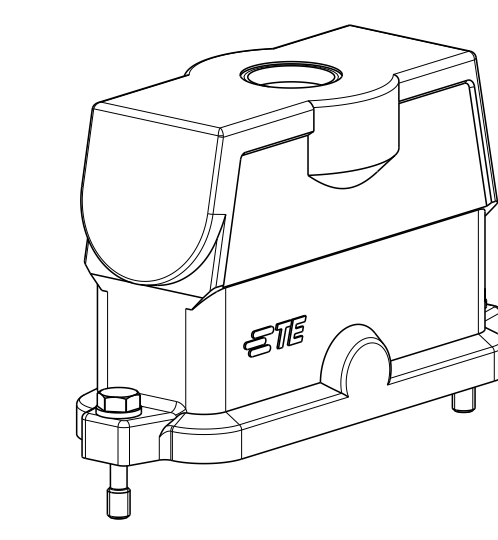
PN 0-7



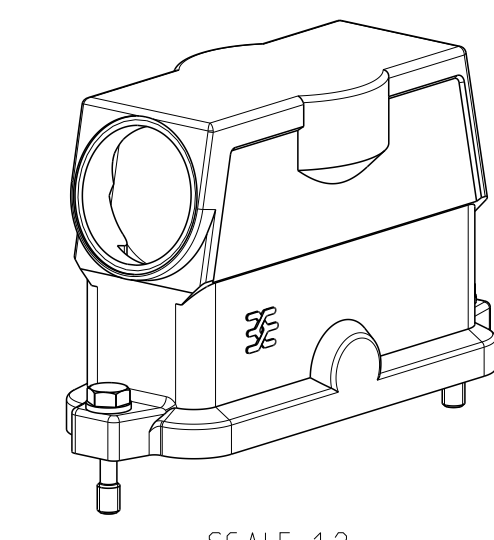
PN 0-1,0-4,0-5,0-6,1-3 & 1-6



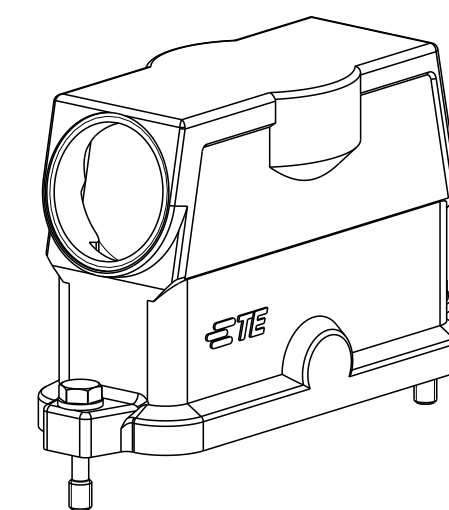
PN 0-1,0-4,0-5,0-6,1-3 & 1-6



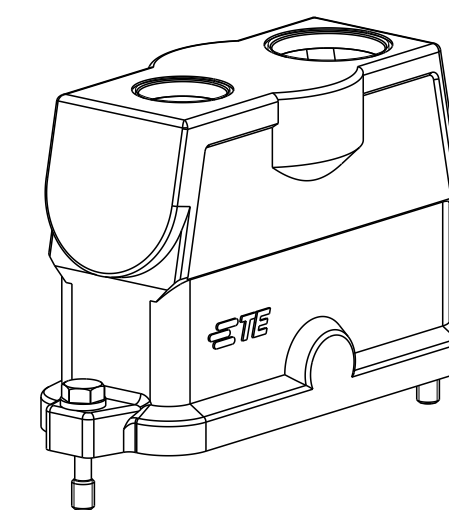
PN 1-2 With Weidmuller Logo



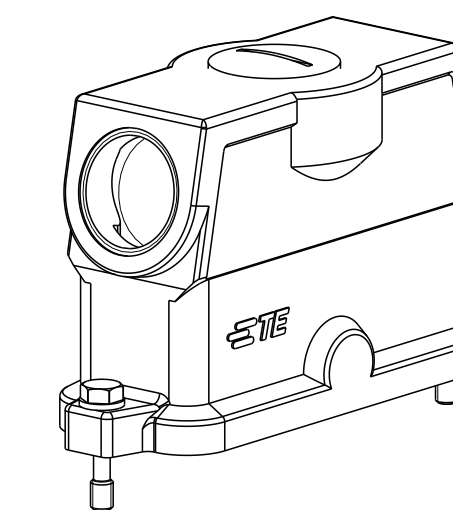
PN 0-2,0-3,0-8 & 1-2



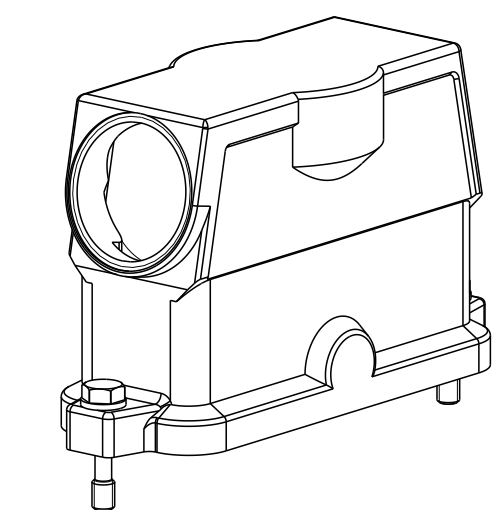
PN 0-7



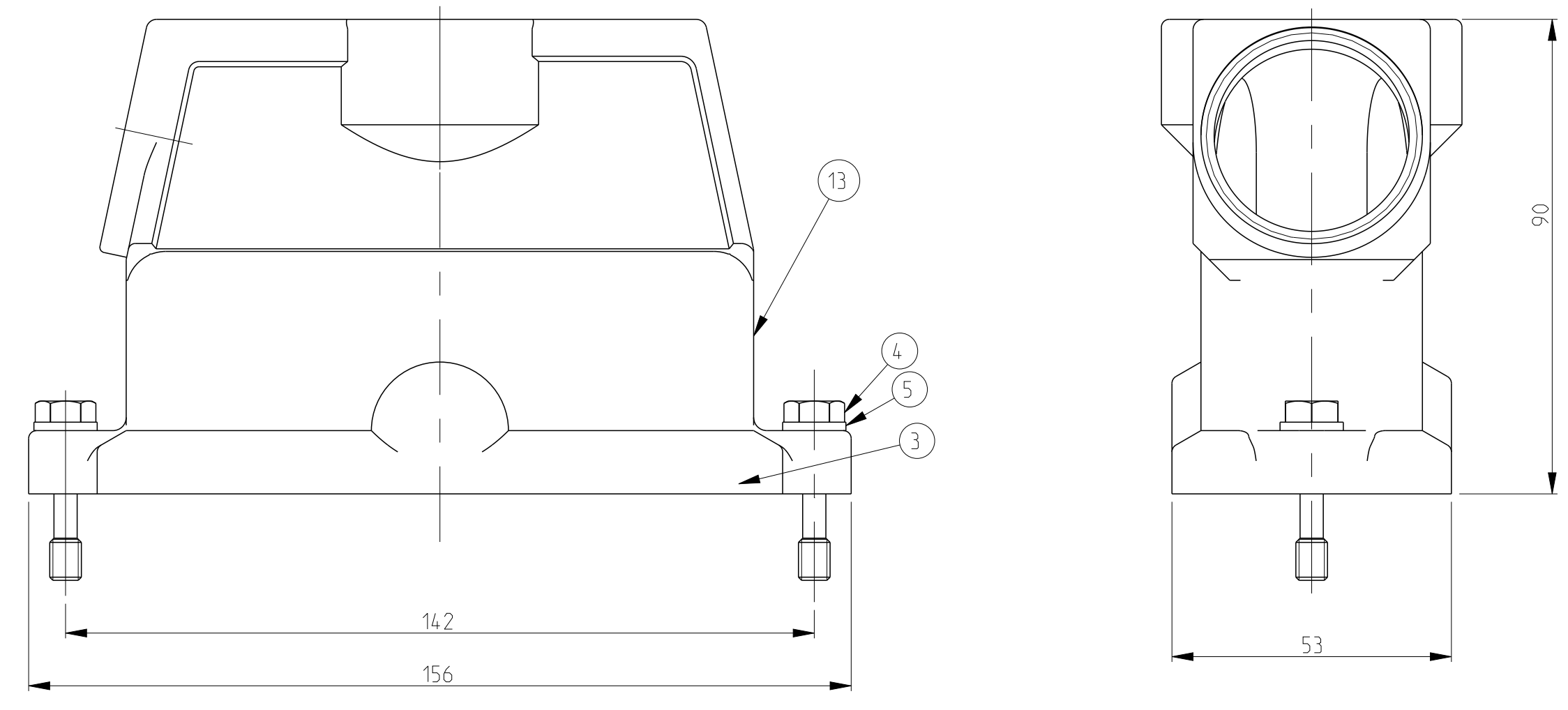
PN 0-9,1-0,1-1,1-4,1-8 & 1-9



PN 1-7,1-5 (Neutral) Without Logo



PN 1-5 & 1-7 (Neutral)



QTY	DESCRIPTION	MATERIAL	SURFACE	COLOR	ITEM NO	REMARKS
1	Hood size 8 finished product	Aluminium	SUR TEC 650	Black RAL9005	13	
1	Hood size 8 finished product	Aluminium		Without varnish	12	
1	Blanking Piece	Brass	Nickel plated	Blue	11	
1	O-Ring	Neoprene		Black	10	
1	Hood size 8 finished product	Aluminium		White Aluminium	9	
2	Washer, Plain	Stainless steel	Blank		8	B6.4
2	Screw, Hexagon Bolt	Stainless steel	Blank		7	M6x30
2	Hood size 8 finished product	Aluminium	SUR TEC 650	Black RAL9005	6	
2	Washer, Plain	Stainless steel	Blank		5	B6.4
2	Screw, Hexagon Bolt	Stainless steel	Blank		4	M6x30
1	Seal	Neoprene		Black	3	Conductivity
1	Hood size 8 finished product	Aluminium	SUR TEC 650	Black RAL9005	2	
1	Hood size 8 finished product	Aluminium		Grey RAL7001	1	
1-9	DESCRIPTION	MATERIAL	SURFACE	COLOR	ITEM NO	REMARKS
	EMV-24/64-STO-1.M40-G					
	EMV-24/64-STO-1.M40-G					
	EMV-K-24/64-STO-1.M40-G					
	EMV-K-24/64-STO-1.M40-G					
	EMV-24/64-STO-1.M20-G					
	EMV-24/64-STO-1.M25-G					
	EMV-K-24/64-STO-1.M32-G					
	EMV-K-24/64-STO-1.M32-G					
	EMV-24/64-STO-1.M32-G					
	EMV-24/64-STO-1.M32-G					
	EMV-24/64-STO-1.M32-G					
	EMV-K-24/64-STO-1.M40-G-WE					
	EMV-K-24/64-STO-1.M25-G					
	EMV-24/64-STO-1.M32-G					
	EMV-K-24/64-ST					
	EMV-K-24/64-STO-1.M32-G					
	EMV-K-24/64-STO-1.M40-G-Neutral					
	EMV-24/64-STO-1.M32-G					
	EMV-K-24/64-STO-1.M32-G					

THIS DRAWING IS A CONTROLLED DOCUMENT. DATE: 01.08.2000  
 DIMENSIONS: SCHNEIDER, CIP, SCHWEIGER, APO, DATE: 01.08.2000  
 MATERIAL: FINISH: WEIGHT: 54.0 g  
 CUSTOMER DRAWING: SCALE: 5:1 SHEET: 1 of 1 REF: A23

**STE** TE Connectivity  
 HOOD EMV-24/64-STO/STS WITH M-THREAD

单击下面可查看定价，库存，交付和生命周期等信息

[>>TE Connectivity\(泰科\)](#)