

THIS DRAWING IS UNPUBLISHED.

RELEASED FOR PUBLICATION

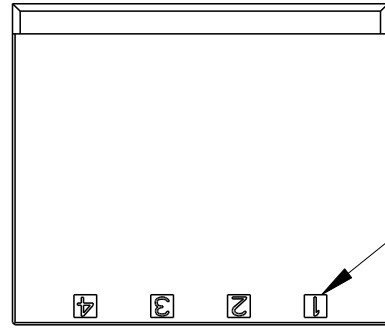
20

© COPYRIGHT 20

BY Tyco Electronics Japan G.K.

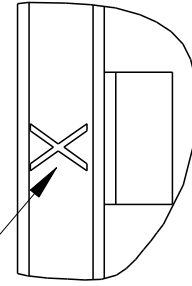
ALL RIGHTS RESERVED.

LOC	DIST	REVISIONS					
		P	LTR	DESCRIPTION	DATE	DWN	APVD
J	-	A		RELEASED	12SEP2007	T.S	D.M
		B		REVISED	18JAN2012	T.N	N.Y



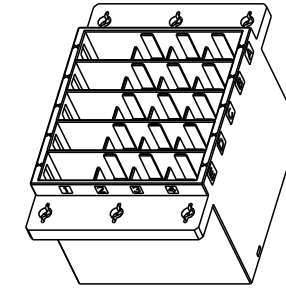
AS SHOWN: 2013285-2
(P/M BOTTOM)
KEYING CODE: X

回路番号
CIRCUIT No

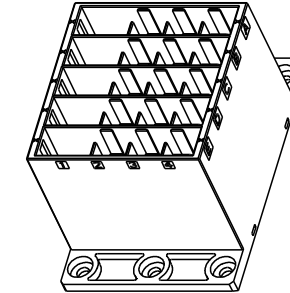


KEYING CODE: X

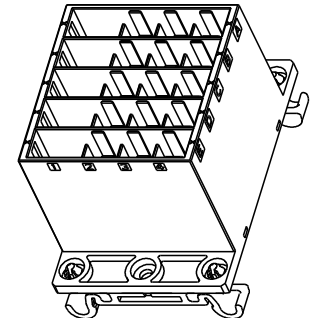
DETAIL A
SCALE 5:1



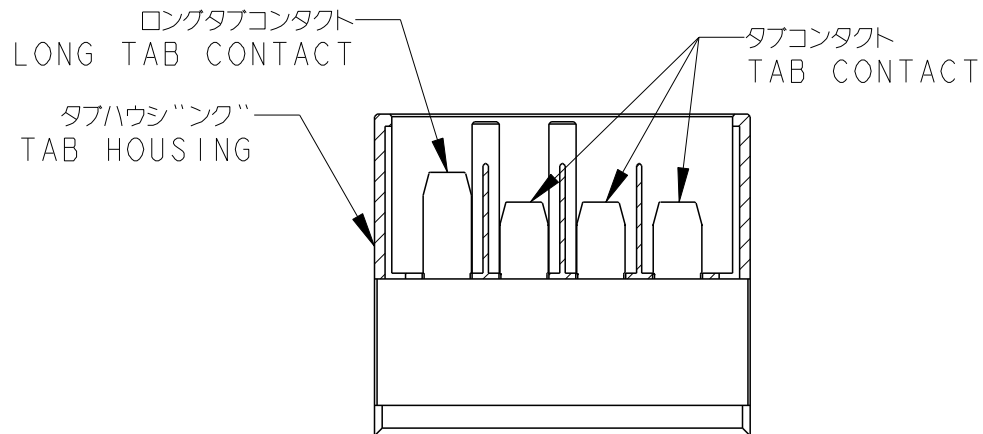
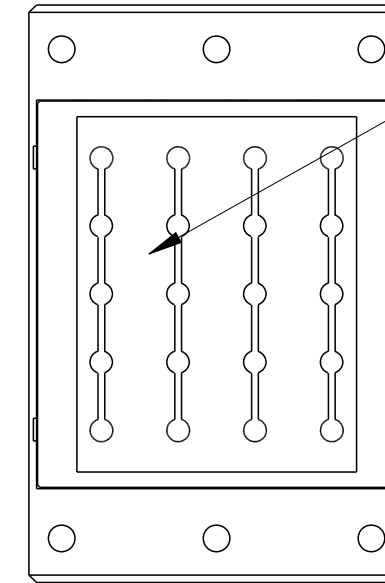
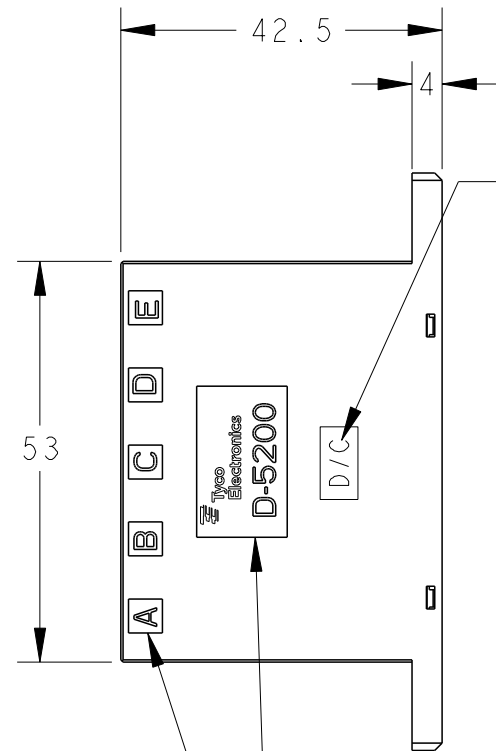
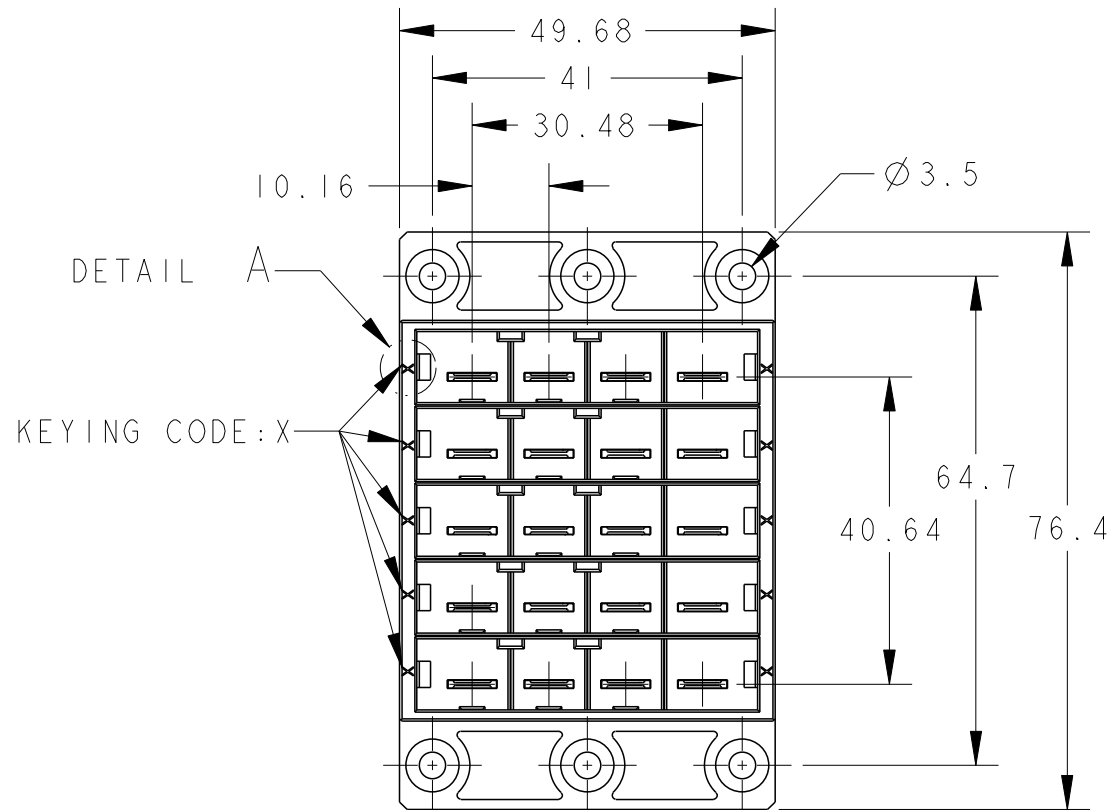
P/M FRONT
2013285-1
2-2013285-1



P/M BOTTOM
2013285-2
2-2013285-2



WITH DIN TYPE
2013285-3
2-2013285-2



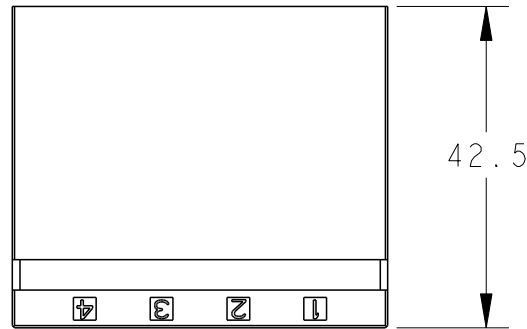
4 OF 4	Y	2-2013285-3	WITH DIN TYPE
2 OF 4	X	2013285-3	
3 OF 4	Y	2-2013285-2	P/M BOTTOM
1 OF 4	X	2013285-2	
3 OF 4	Y	2-2013285-1	P/M FRONT
2 OF 4	X	2013285-1	
SHEET	KEY	P/N	DESCRIPTION

DIMENSIONS:		TOLERANCES UNLESS OTHERWISE SPECIFIED:		MATERIAL		FINISH	
mm		0 PLC	± 0.4	1		2	
		1 PLC	± 0.4				
		2 PLC	± 3°				
		3 PLC	±				
		4 PLC	±				
		ANGLES	±				

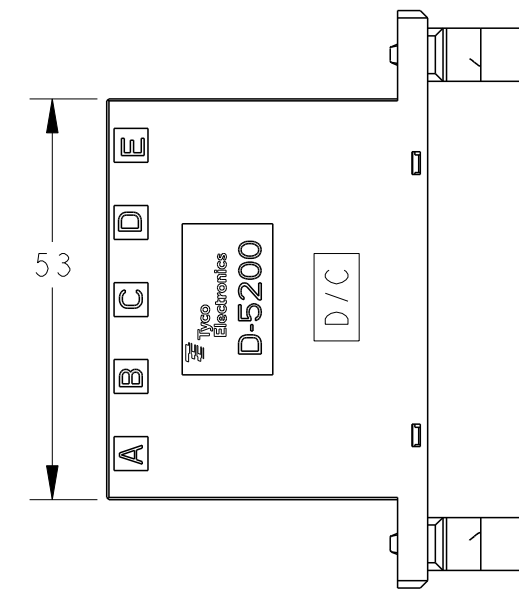
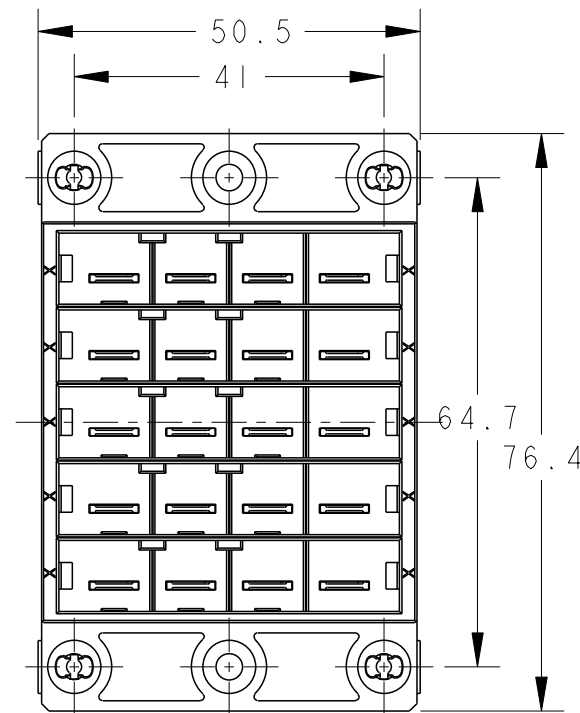
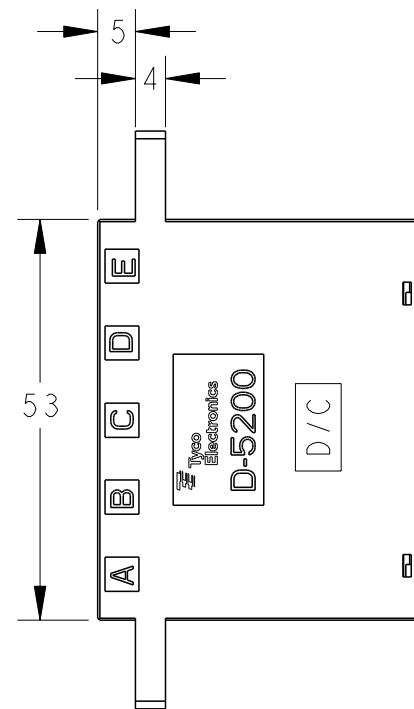
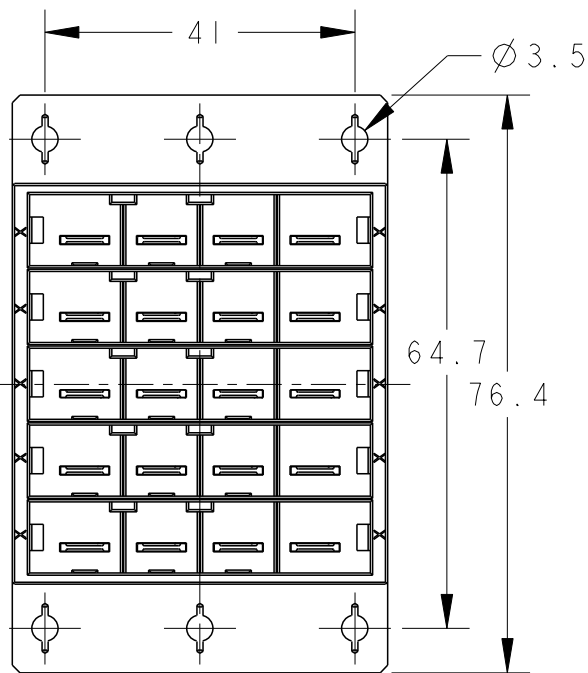
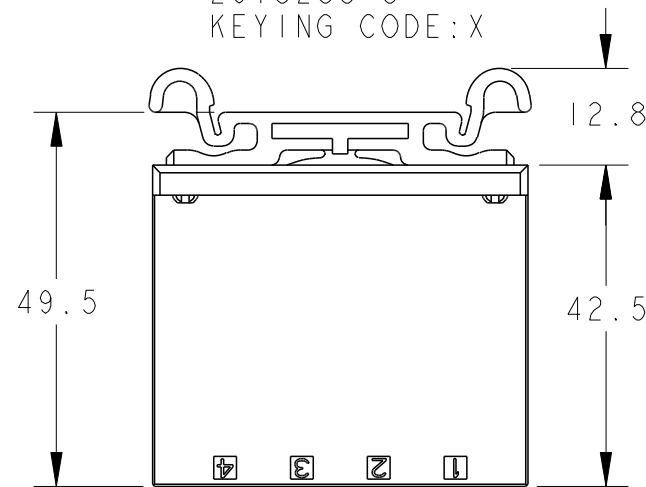
THIS DRAWING IS A CONTROLLED DOCUMENT.		DWN	12SEP2007	 TE Connectivity	NAME DYNATAP CONN. 20P ASSY DYNAMIC D-5200SERIES
		CHK	12SEP2007		
		APVD	12SEP2007		
		PRODUCT SPEC	108-78370		
		APPLICATION SPEC	114-5206	SIZE	A300779
		WEIGHT		CAGE CODE	C=2013285
		CUSTOMER DRAWING		DRAWING NO	
				RESTRICTED TO	
				SCALE	1:1
				SHEET	1 OF 4
				REV	B

LOC	DIST	REVISIONS					
		P	LTR	DESCRIPTION	DATE	DWN	APVD
J	-	-	-	SEE SHEET 1	-	-	-

P/M FRONT
2013285-1
KEYING CODE: X



WITH DIN TYPE
2013285-3
KEYING CODE: X



THIS DRAWING IS A CONTROLLED DOCUMENT.

DIMENSIONS:	TOLERANCES UNLESS OTHERWISE SPECIFIED:
mm	
	0 PLC ± ±0.4
	1 PLC ± ±3°
	2 PLC ± ±
	3 PLC ± ±
	4 PLC ± ±
	ANGLES ± ±
MATERIAL	FINISH

DWN	
CHK	
APVD	
PRODUCT SPEC	
APPLICATION SPEC	
WEIGHT	

TE Connectivity		NAME		RESTRICTED TO
		DYNATAP CONN. 20P ASSY DYNAMIC D-5200SERIES		
SIZE	CAGE CODE	DRAWING NO		
A300779	C=2013285			

THIS DRAWING IS UNPUBLISHED.

RELEASED FOR PUBLICATION

20

© COPYRIGHT 20

BY Tyco Electronics Japan G.K.

ALL RIGHTS RESERVED.

LOC
J

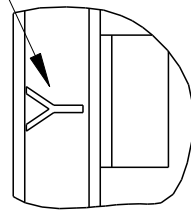
DIST
-

REVISIONS

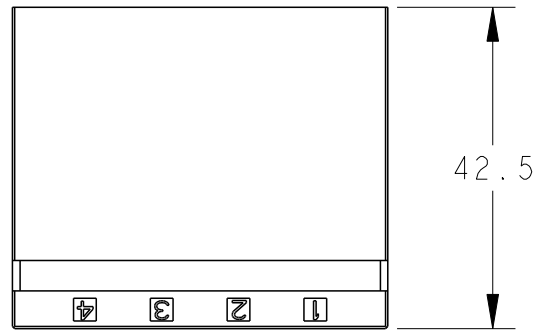
P	LTR	DESCRIPTION	DATE	DWN	APVD
	-	SEE SHEET 1	-	-	-

KEYING CODE: Y

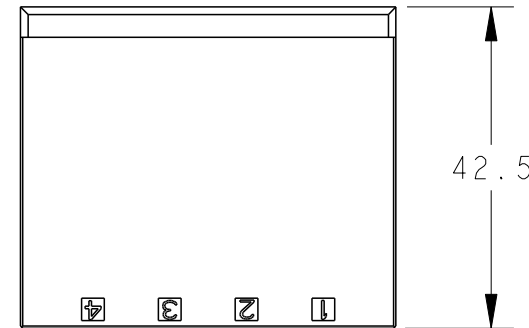
P/M FRONT
2-2013285-1
KEYING CODE: Y



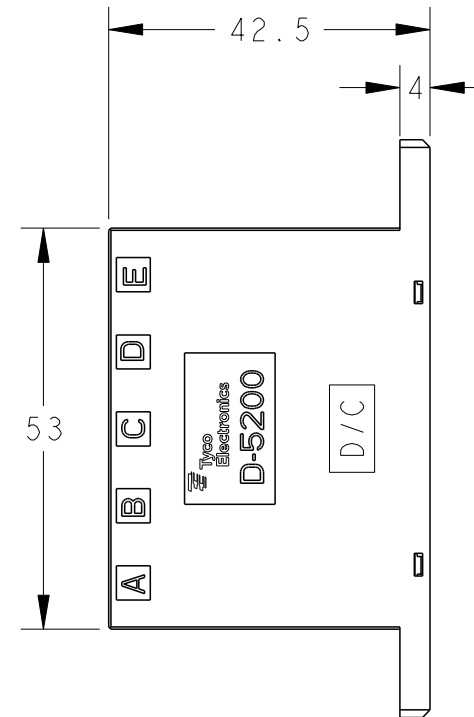
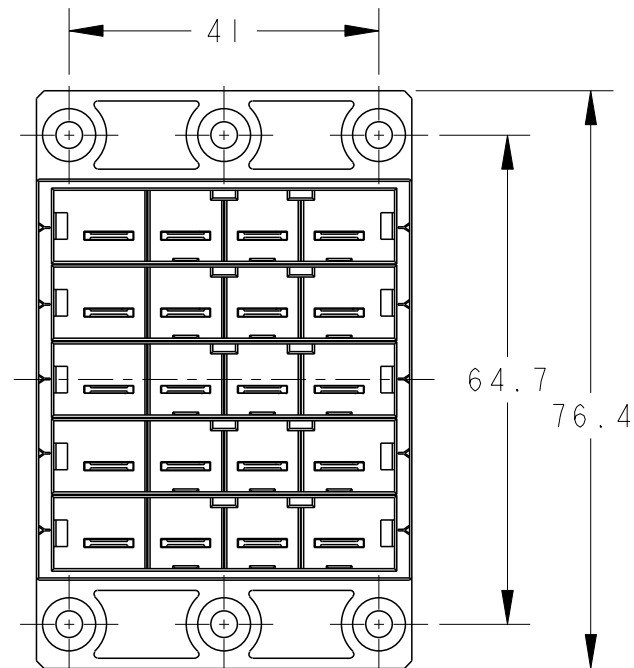
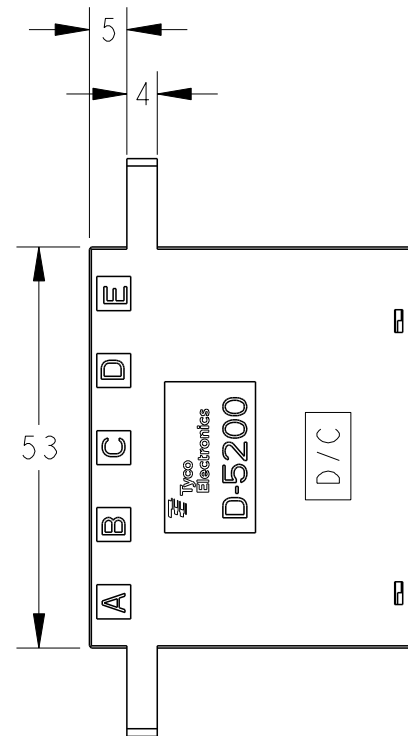
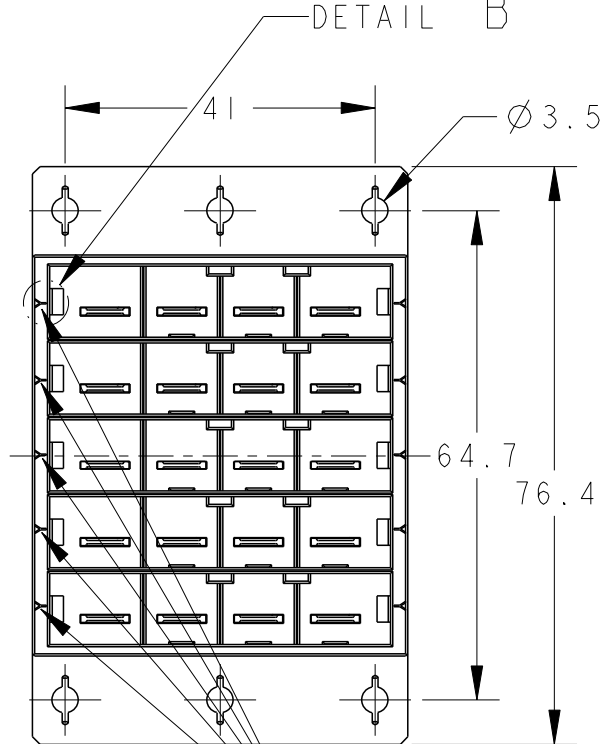
DETAIL B
SCALE 5:1



P/M BOTTOM
2-2013285-2
KEYING CODE: Y



DETAIL B



KEYING CODE: Y

THIS DRAWING IS A CONTROLLED DOCUMENT.

DWN
CHK
APVD
PRODUCT SPEC
APPLICATION SPEC
WEIGHT



NAME
DYNATAP CONN. 20P ASSY
DYNAMIC D-5200SERIES

DIMENSIONS: mm
MATERIAL

TOLERANCES UNLESS OTHERWISE SPECIFIED:
0 PLC ± ± 0.4
1 PLC ± ± 0.4
2 PLC ± ± 3°
3 PLC ± ± 3°
4 PLC ± ±
ANGLES ± ±
FINISH

SIZE	CAGE CODE	DRAWING NO	RESTRICTED TO
A3	00779	C-2013285	-

CUSTOMER DRAWING SCALE 1:1 SHEET 3 OF 4 REV B

4

3

2

1

THIS DRAWING IS UNPUBLISHED.

RELEASED FOR PUBLICATION

20

© COPYRIGHT 20

BY Tyco Electronics Japan G.K.

ALL RIGHTS RESERVED.

LOC	DIST	REVISIONS					
		P	LTR	DESCRIPTION	DATE	DWN	APVD
J	-		-	SEE SHEET 1	-	-	-

WITH DIN TYPE
2-2013285-3
KEYING CODE: Y

ハ°ネル加工推奨寸法図
RECOMMEND PANEL LAYOUT

注記

① 材料:ハウジング:熱可塑性ホ°ポリエステル樹脂 黒色
:DIN レール取付部:熱可塑性ホ°ポリエステル樹脂 黒色
:コンタクト:銅合金

② メッキ:コンタクト:全面Ni下地I. 3μmMIN.
接点部金メッキ0.38μmMIN
3. DINレール取付適用幅は、35±0.3mmとする。

NOTES

① MATERIAL
:HOUSING:GLASS FIELD THERMO PLASTIC,POLYESTER COLOR:BLACK
:DIN RAIL FOOT:GLASS FIELD THERMO PLASTIC,POLYESTER COLOR:BLACK
:CONTACT:COPPER ALLOY

② FINISH
:UNDER PLATE:Ni I. 3μm MIN,CONTACT AREA:Au 0.38μm MIN
3 WIDTH OF DIN RAIL ATTACHMENT APPLICATION:35±0.3mm

THIS DRAWING IS A CONTROLLED DOCUMENT.

DIMENSIONS:	TOLERANCES UNLESS OTHERWISE SPECIFIED:
mm	
	0 PLC ± ±0.4
	1 PLC ± ±0.4
	2 PLC ± ±0.4
	3 PLC ± ±3°
	4 PLC ± ±
	ANGLES ± ±
MATERIAL	FINISH

DWN	CHK	APVD	PRODUCT SPEC	APPLICATION SPEC	WEIGHT	SIZE	CAGE CODE	DRAWING NO	RESTRICTED TO
						A300779	C=2013285		-
CUSTOMER DRAWING						SCALE	SHEET 4 OF 4	REV B	

STE TE Connectivity

NAME
DYNATAP CONN. 20P ASSY
DYNAMIC D-5200SERIES

1470-19 (3/11)

Downloaded From Onevac.com

单击下面可查看定价，库存，交付和生命周期等信息

[>>TE Connectivity\(泰科\)](#)