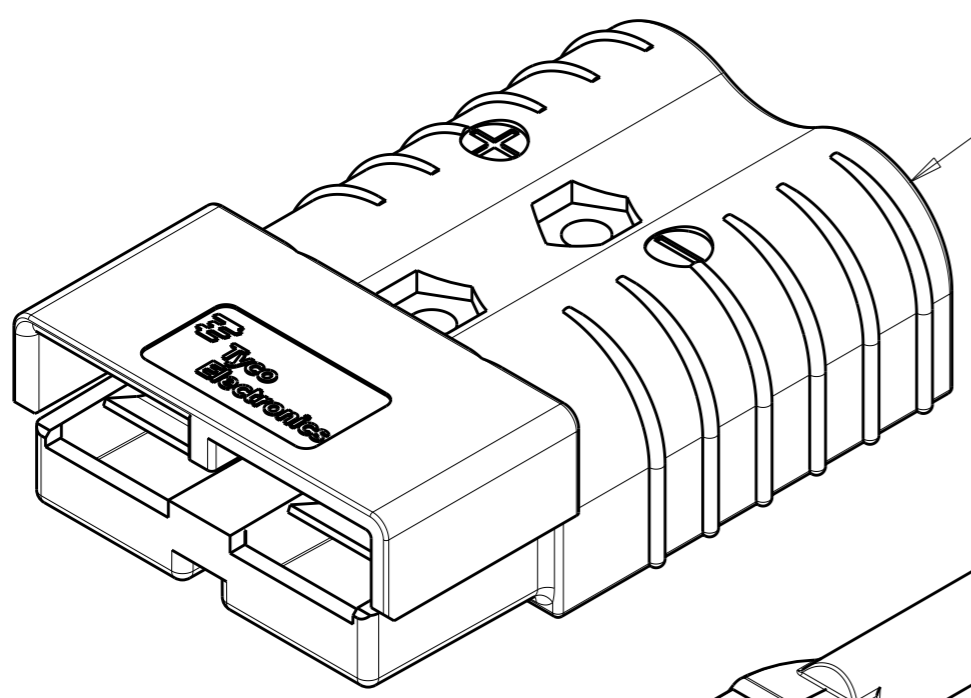
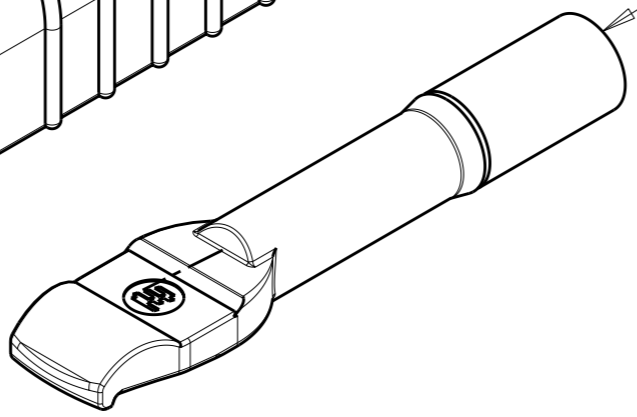


THIS DRAWING IS UNPUBLISHED. RELEASED FOR PUBLICATION 20  
 © COPYRIGHT 20 BY TYCO ELECTRONICS CORPORATION. ALL RIGHTS RESERVED.

| LOC | DIST | REVISIONS   |                           |           |        |
|-----|------|-------------|---------------------------|-----------|--------|
| P   | LTR  | DESCRIPTION | DATE                      | DWN       | APVD   |
| FT  | 0    | AI          | REVISED PER ECR-10-010379 | 24MAY2010 | HMR JR |
|     |      |             |                           |           |        |
|     |      |             |                           |           |        |



HOUSING-SPRING SUB-ASSY, 1 REQD  
 TYCO PART NUMBER  
 1604050-1 THRU -6 (INCLUSIVE)  
 MAY BE ORDERED SEPARATELY



CONTACT, 1/0 AWG, 2 REQD  
 TYCO PART NUMBER 1604055-1  
 MAY BE ORDERED SEPARATELY

|               |             |
|---------------|-------------|
| GREEN         | 1604060-6   |
| BLUE          | 1604060-5   |
| GRAY          | 1604060-4   |
| RED           | 1604060-3   |
| ORANGE        | 1604060-2   |
| YELLOW        | 1604060-1   |
| HOUSING COLOR | PART NUMBER |

|   |  |  |  |   |  |
|---|--|--|--|---|--|
| <small>THIS DRAWING IS A CONTROLLED DOCUMENT FOR TYCO ELECTRONICS CORPORATION<br/>         IT IS SUBJECT TO CHANGE AND THE CONTROLLING ENGINEERING ORGANIZATION<br/>         SHOULD BE CONTACTED FOR THE LATEST REVISION.</small> |  | DWN 10APR2002<br>Brent D. Yohn<br>CHK 10APR2002<br>W.H. BERNHART<br>APVD 10APR2002<br>W.H. BERNHART                      |  | Tyco Electronics<br>Harrisburg, PA 17105-3608                           |  |
| DIMENSIONS:<br>mm<br>   |  | TOLERANCES UNLESS OTHERWISE SPECIFIED:<br>0 PLC ±-<br>1 PLC ±0.4<br>2 PLC ±0.13<br>3 PLC ±0.050<br>4 PLC ±-<br>ANGLES ±- |  | NAME<br>CONNECTOR KIT, SERIES 350 AMP,<br>POWER CONNECTOR, 1/0 AWG WIRE |  |
| MATERIAL - FINISH -   |  | PRODUCT SPEC -<br>APPLICATION SPEC -<br>WEIGHT -   |  | SIZE A3 CAGE CODE 00779 DRAWING NO C-1604060 RESTRICTED TO -            |  |
| CUSTOMER DRAWING  |  |  |  | SCALE SHEET OF REV AI   |  |

单击下面可查看定价，库存，交付和生命周期等信息

[>>TE Connectivity\(泰科\)](#)