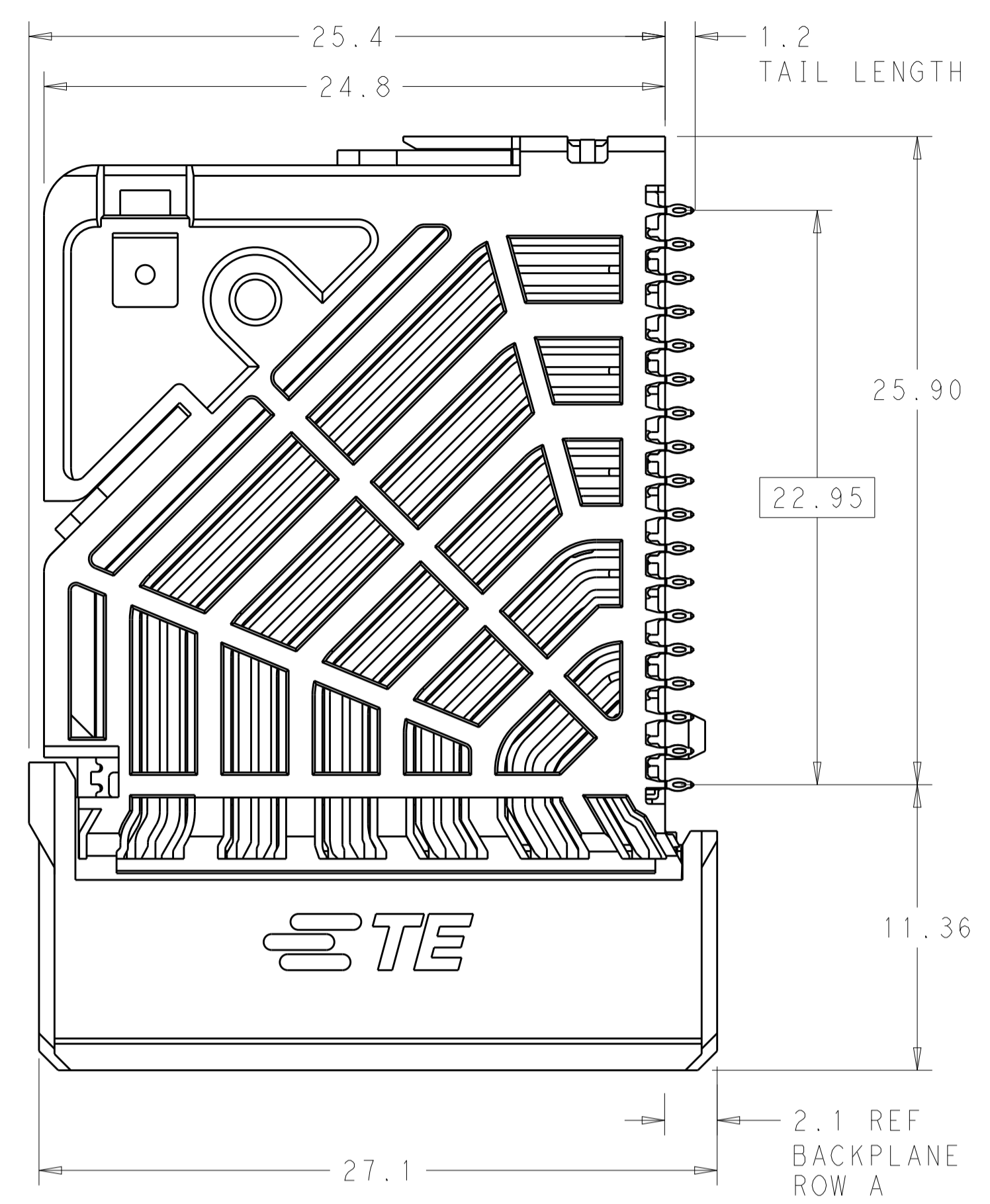
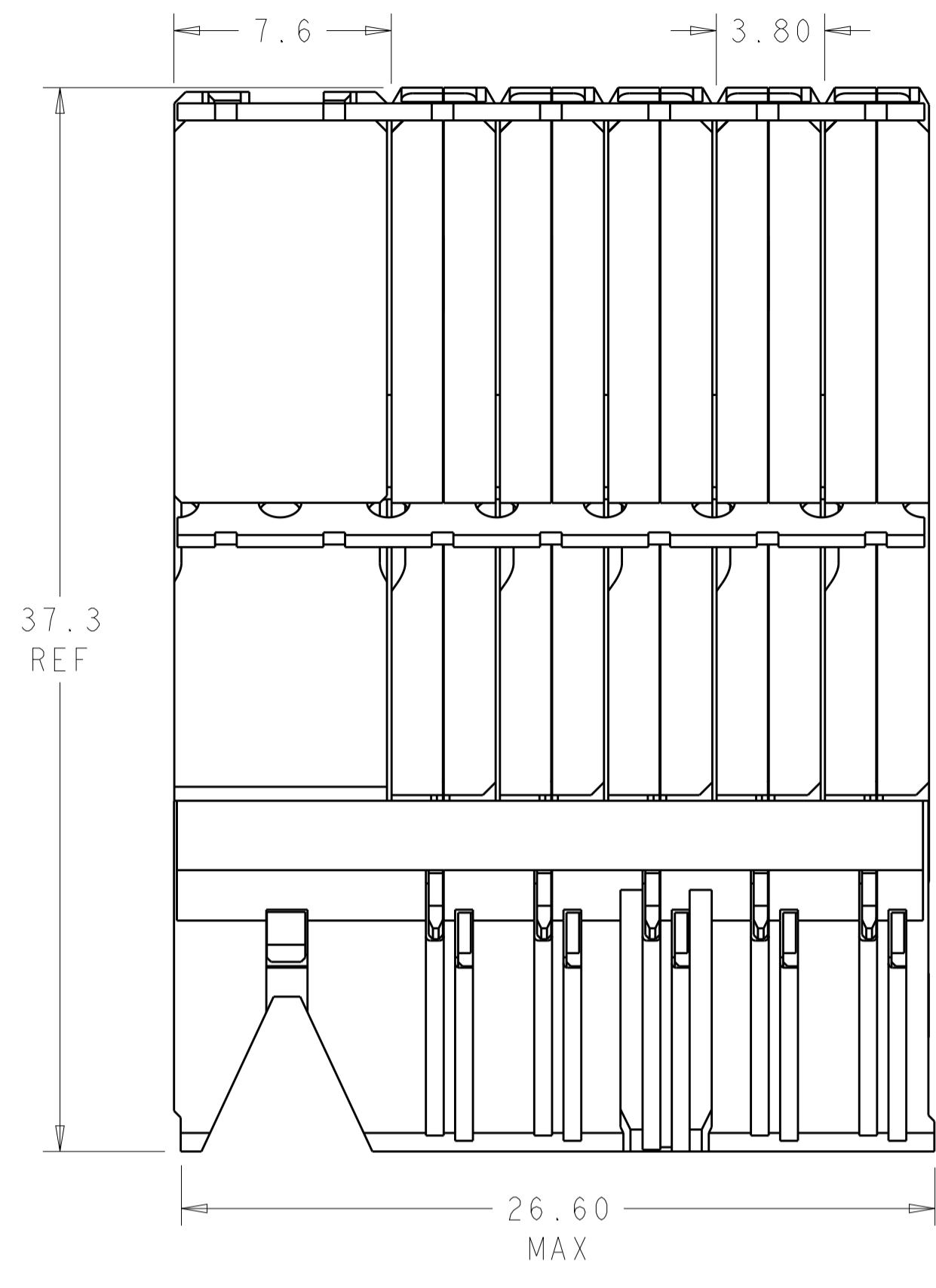
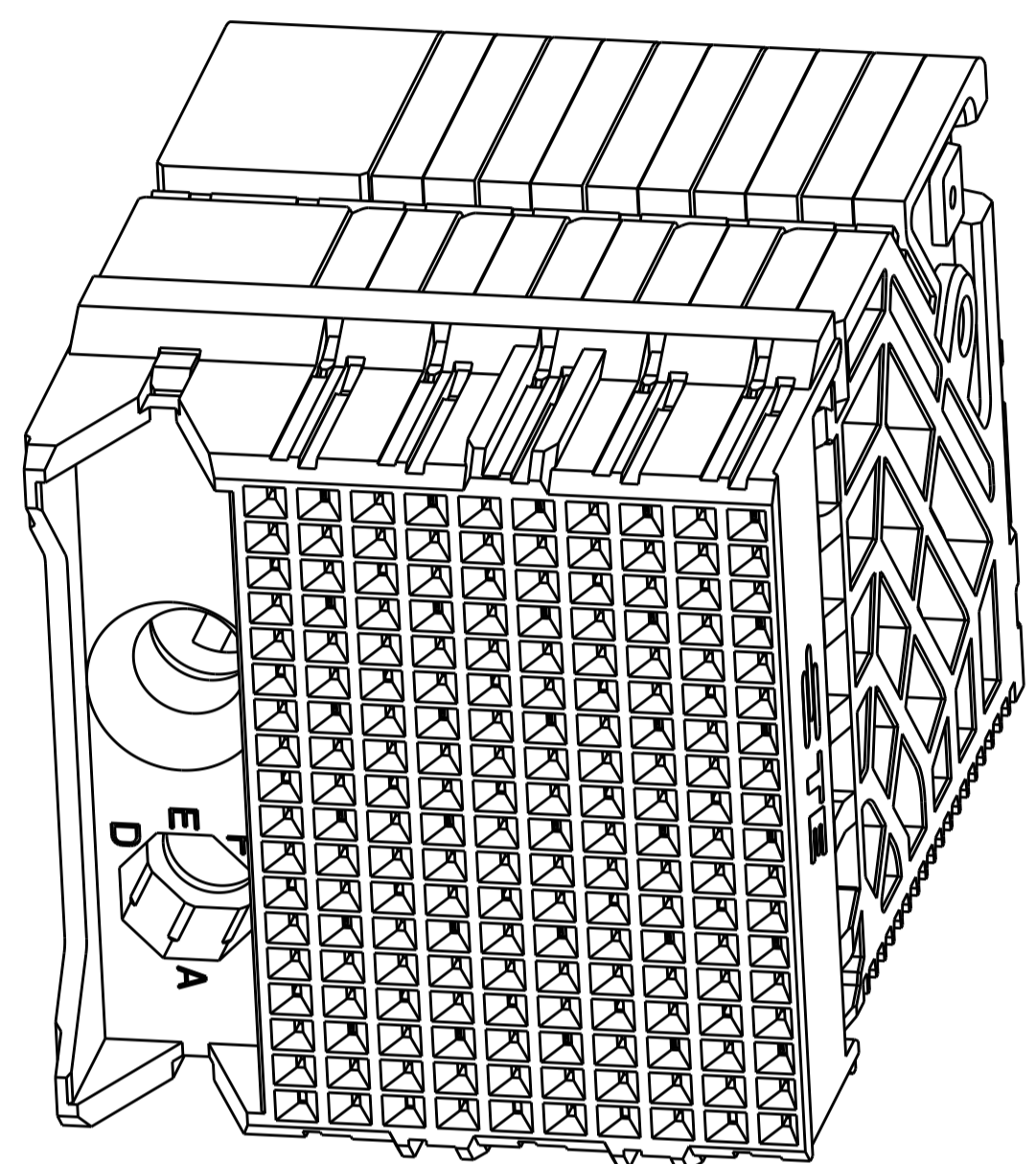


| REVISIONS |      |                           |           |          |
|-----------|------|---------------------------|-----------|----------|
| P.        | LTN. | DESCRIPTION               | DATE      | OWN APVD |
| D         |      | REVISED PER ECO-15-012351 | 02SEP2015 | AP SY    |

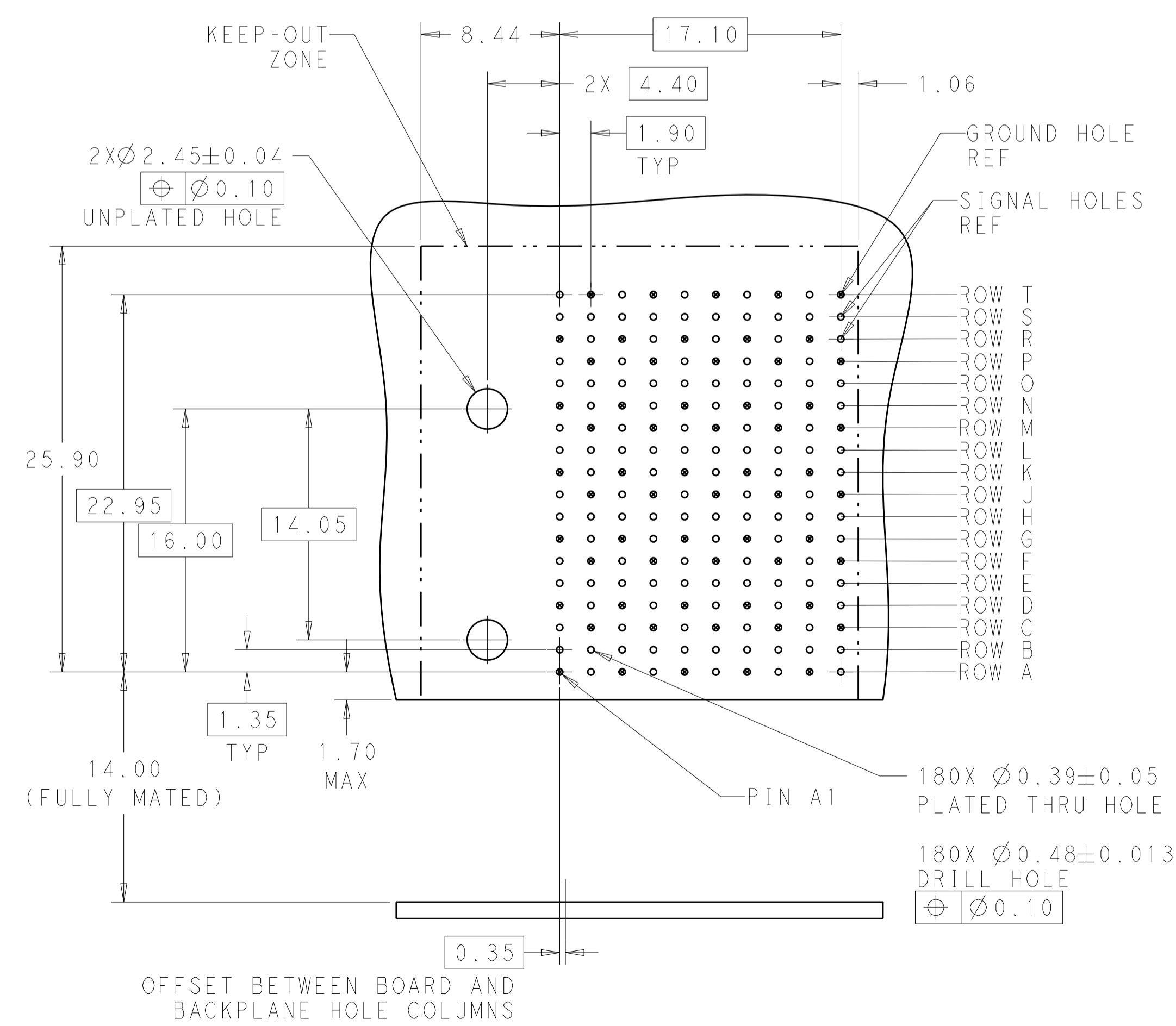
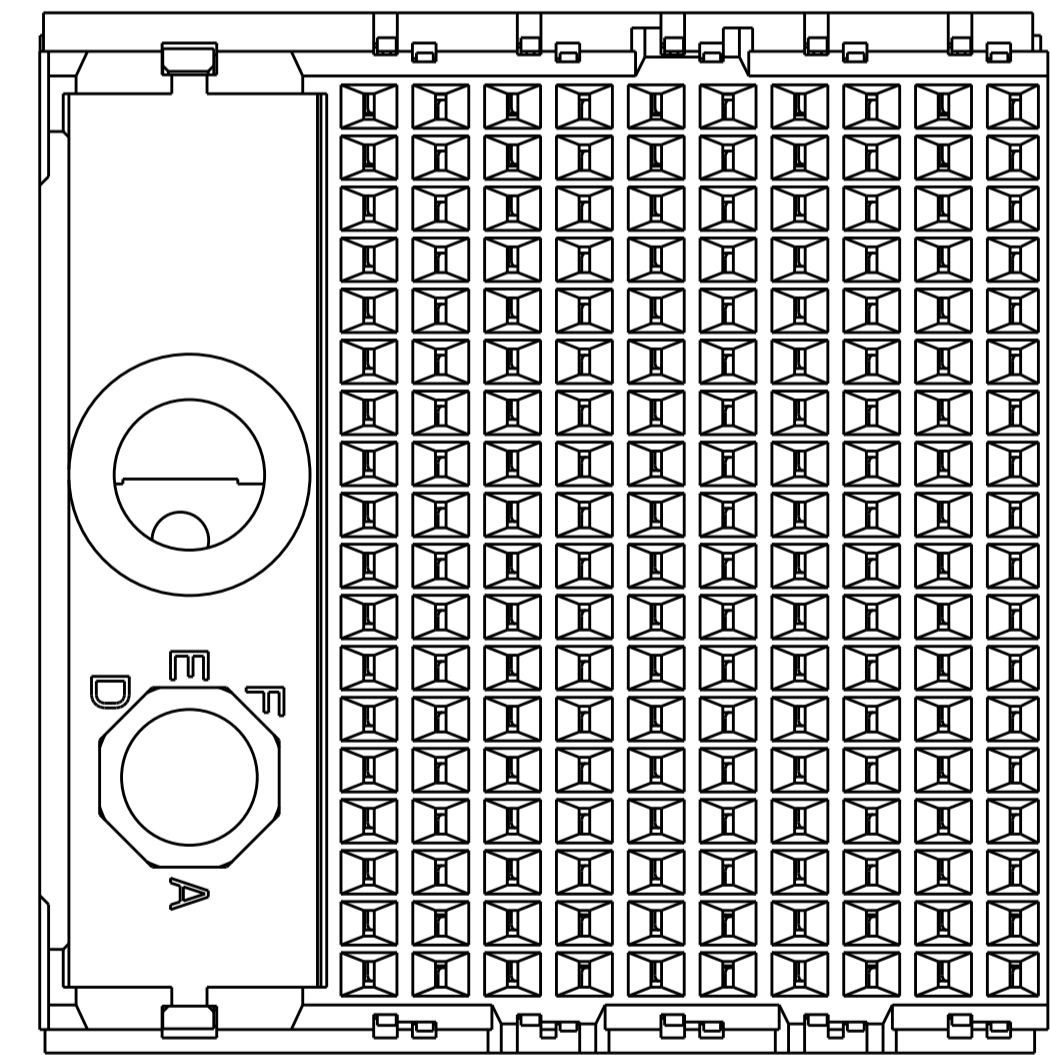


- ⚠ MATERIAL:  
HOUSING: LCP, GLASS FILLED, UL94V-0.  
TERMINALS: HIGH PERFORMANCE COPPER ALLOY.
- ⚠ FINISH:  
30μ" SELECTIVE GOLD IN CONTACT AREA. SELECTIVE TIN ON PCB TAILS, NICKEL OVERALL.
- 3. CONNECTORS SUPPLIED WITH MOUNTING SCREWS.



SCALE 4:1

REFER TO WWW.TE.COM FOR PRODUCT AVAILABILITY



| KEY POSITION CHART |      |
|--------------------|------|
|                    | NONE |
|                    | A    |
|                    | B    |
|                    | C    |
|                    | D    |
|                    | E    |
|                    | F    |
|                    | G    |
|                    | H    |

| KEY POSITION | FINISH | PART NUMBER |
|--------------|--------|-------------|
| H            | ⚠      | 8-2007739-1 |
| G            | ⚠      | 7-2007739-1 |
| F            | ⚠      | 6-2007739-1 |
| E            | ⚠      | 5-2007739-1 |
| D            | ⚠      | 4-2007739-1 |
| C            | ⚠      | 3-2007739-1 |
| B            | ⚠      | 2-2007739-1 |
| A            | ⚠      | 1-2007739-1 |
| NONE         | ⚠      | 2007739-1   |

THIS DRAWING IS A CONTROLLED DOCUMENT. DIMENSIONS: mm. TOLERANCES UNLESS OTHERWISE SPECIFIED: 0 PLC ±, 1 PLC ±0.2, 2 PLC ±0.10, 3 PLC ±, 4 PLC ±, ANGLES ±.

OWN: B. CARBO 17AUG2010, CHK: D. DIXON 17AUG2010, APVD: D. DIXON 17AUG2010.

NAME: IMPACT, STD, R/A, 6 PAIR, 10 COLUMN, DAUGHTERCARD, LEFT GUIDED SIGNAL, 0.39 EYELET.

SIZE: CAGE CODE DRAWING NO, RESTRICTED TO: A100779C=2007739.

Customer Drawing SCALE 5:1 SHEET 1 OF 1 REV D

单击下面可查看定价，库存，交付和生命周期等信息

[>>TE Connectivity\(泰科\)](#)