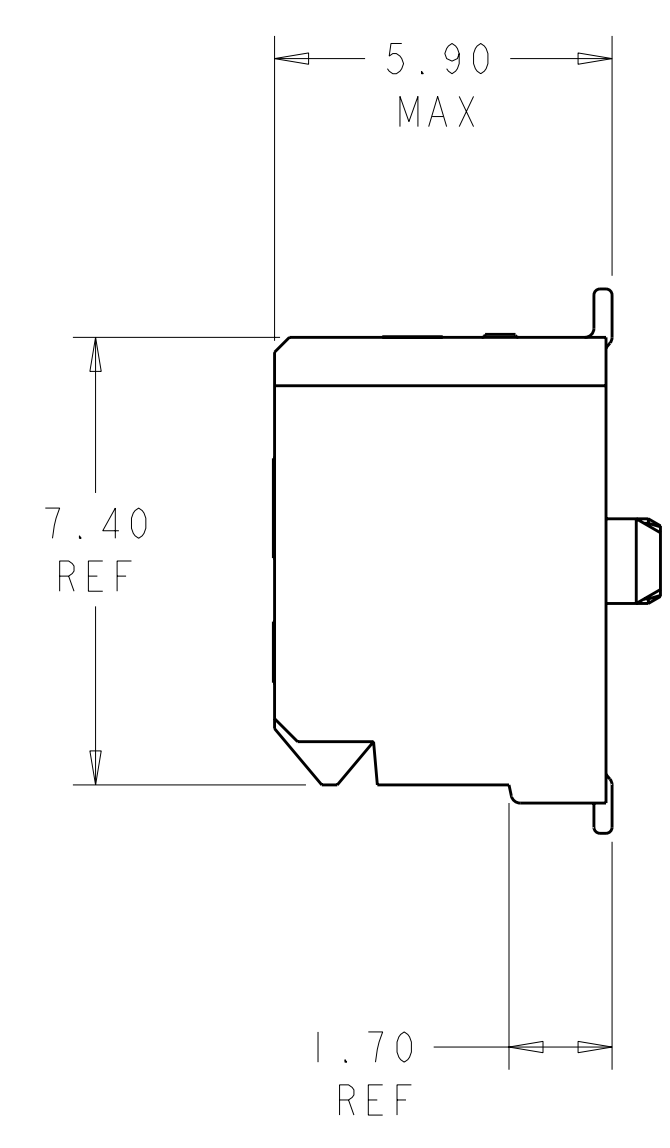
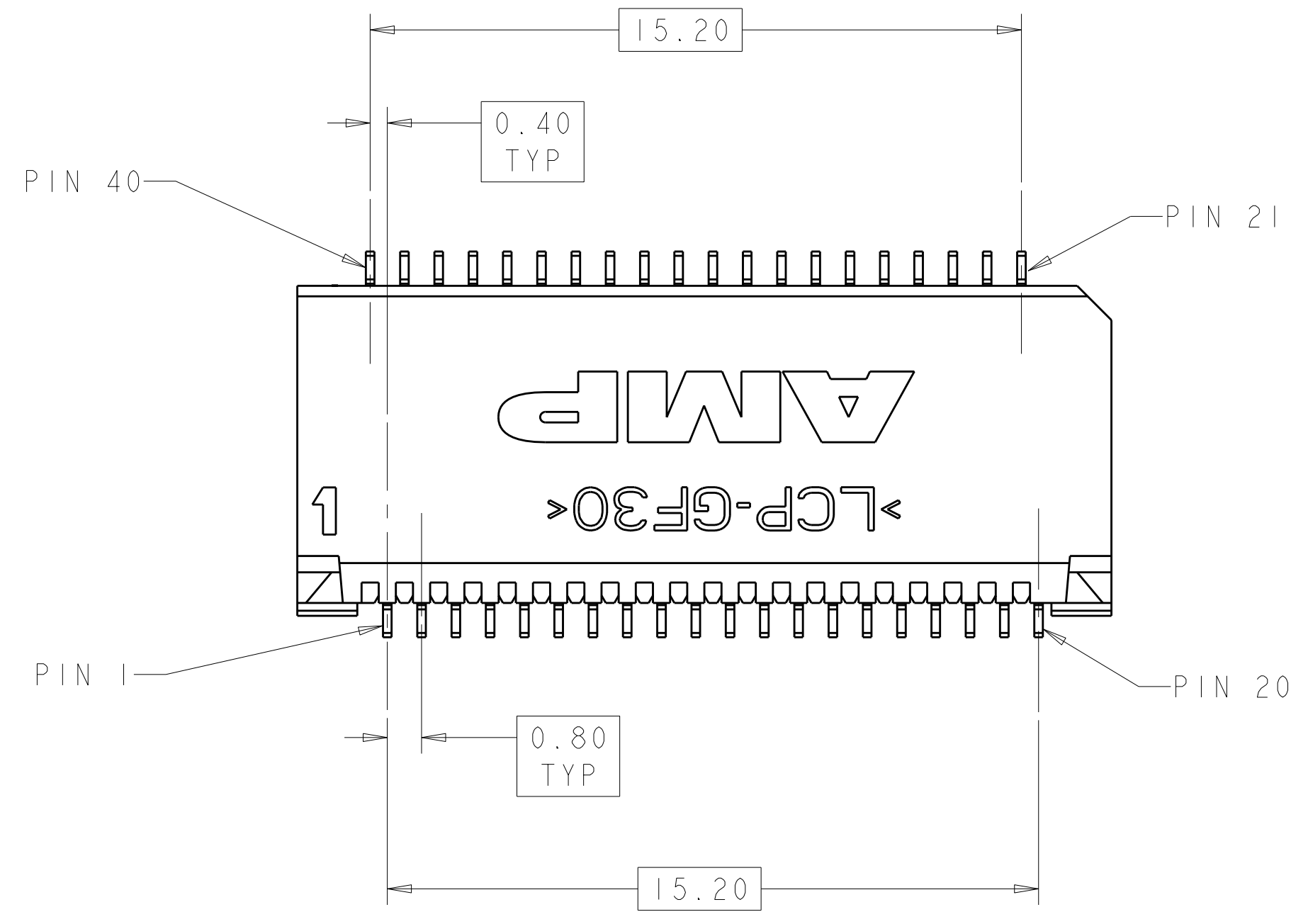
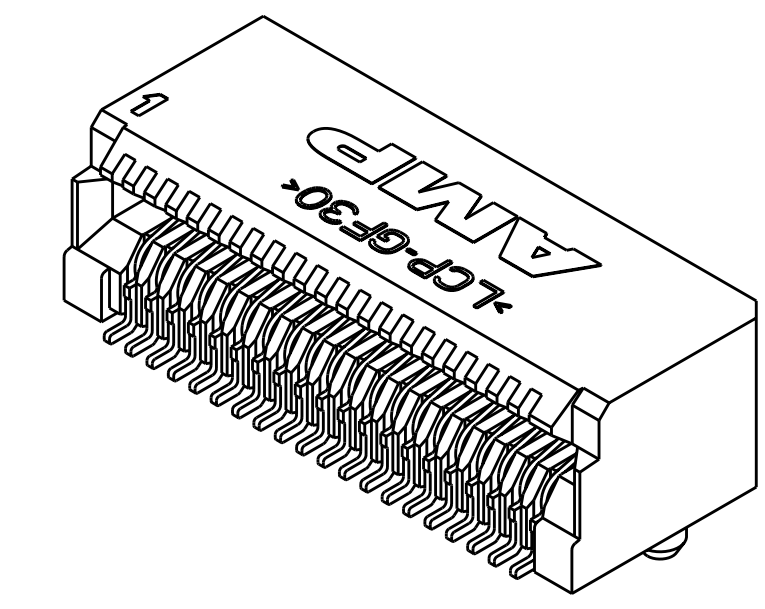


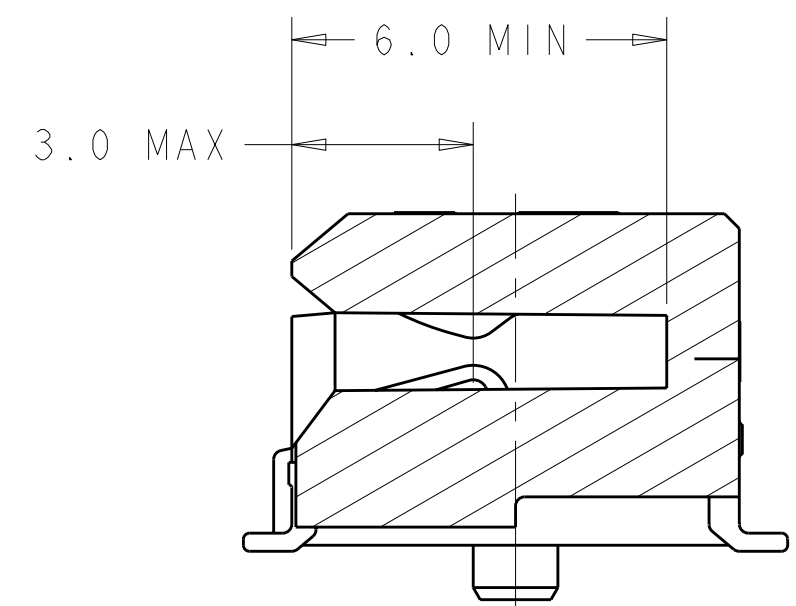
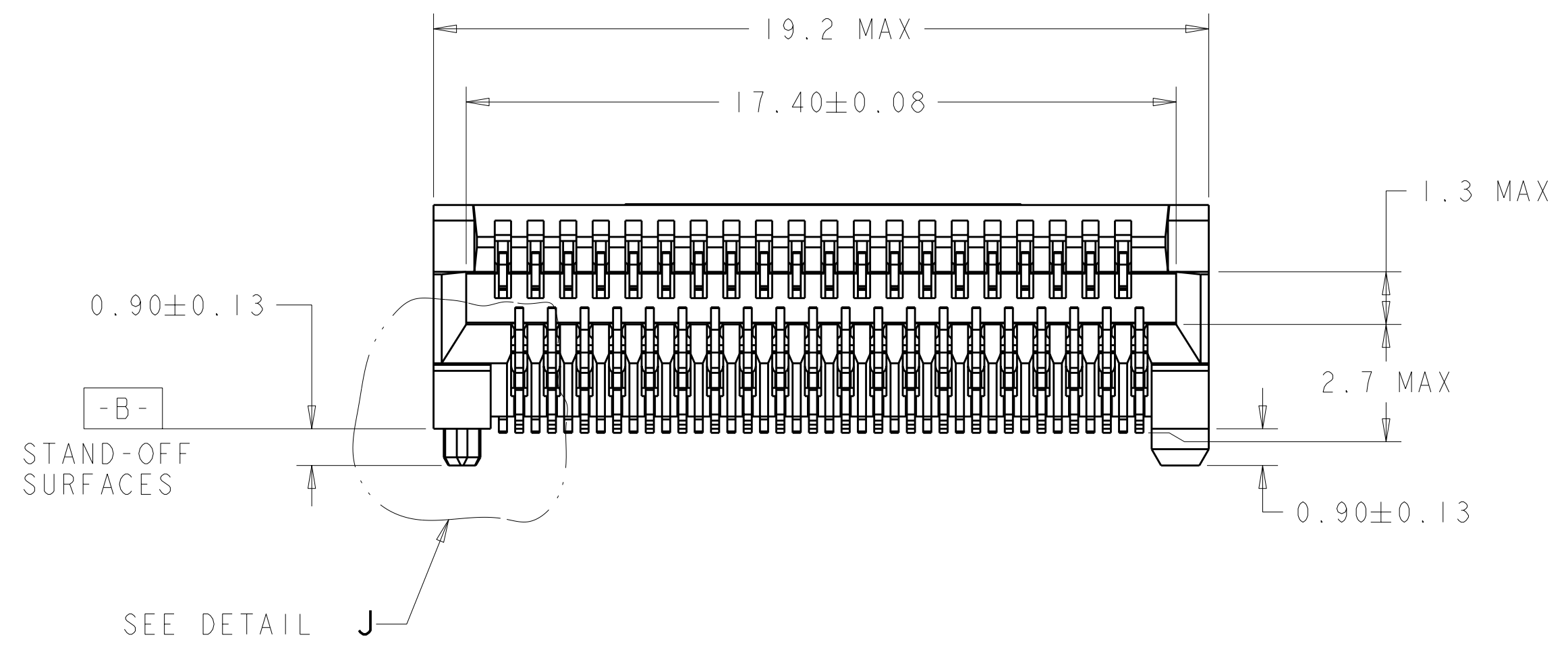
LOC	DIST	REV	DATE	BY	APPD
ES	00				
REVISIONS					
C		REVISED PER EC 0513-0307-05	22FEB06	BM	SS
D		REVISED PER EC 0513-0220-05	22FEB06	BM	SS
E		REVISED PER ECO-06-011603	15NOV06	BM	SS
F		REVISED PER ECR-07-025522	25OCT07	LL	SY



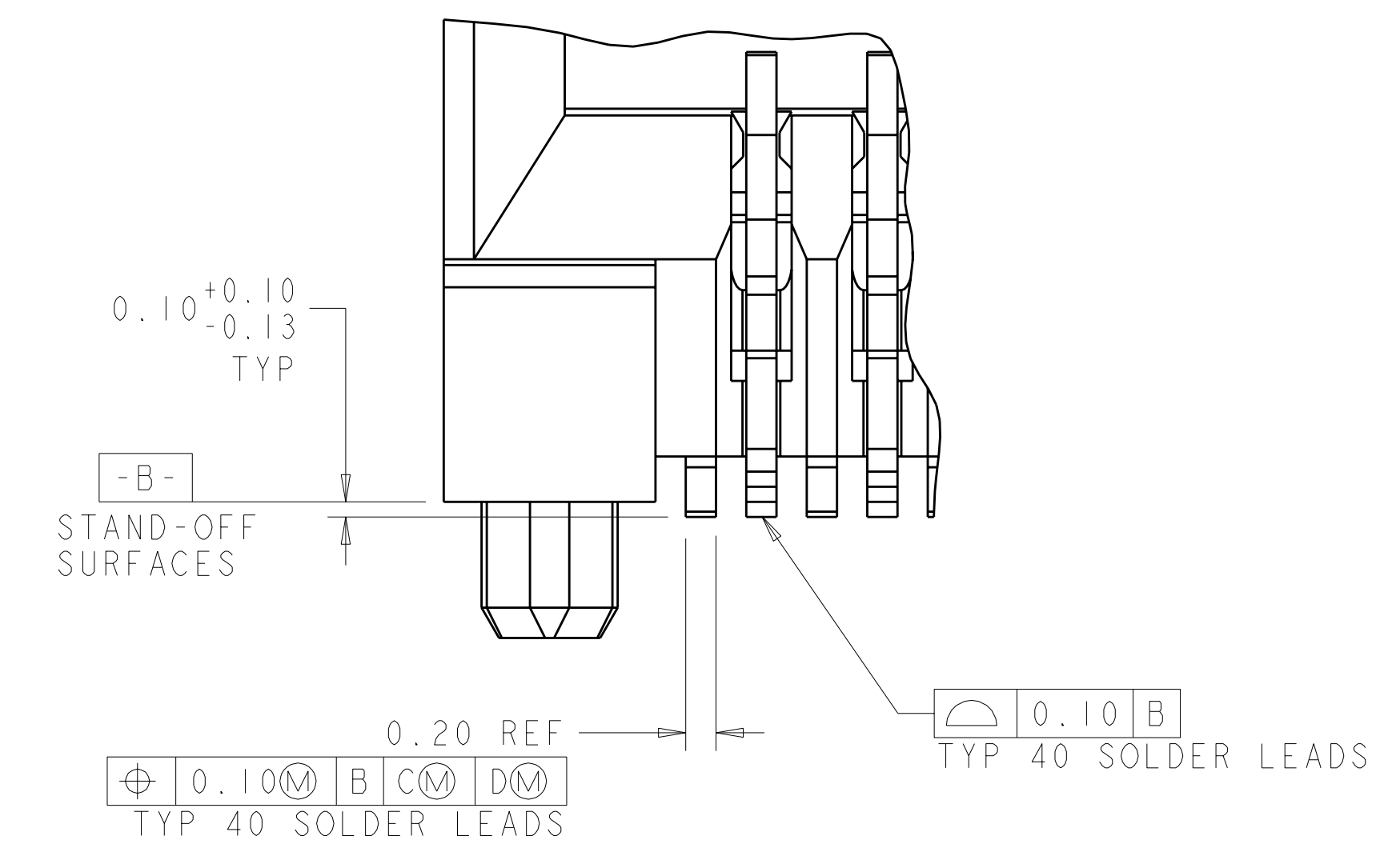
- △ HOUSING: HIGH TEMPERATURE LCP, UL 94V-0 RATED, BLACK.
CONTACT: PHOSPHOR BRONZE.
- △ CONTACTS: 0.00038 MIN GOLD IN CONTACT AREA, 0.00013 MIN GOLD ON SOLDER AREA, OVER 0.0038 MIN NICKEL UNDERPLATE ON ENTIRE CONTACT.
- 3. PACKAGED PIECES PER REEL.
- △ GROUND, POWER AND SIGNAL PAD ARRANGEMENT TO BE DETERMINED BY CUSTOMER.
- △ DATUMS AND BASIC DIMENSIONS ESTABLISHED BY CUSTOMER.
- △ CONTACTS: 0.00076 MIN GOLD IN CONTACT AREA, 0.00013 MIN GOLD ON SOLDER AREA, OVER 0.0038 MIN NICKEL UNDERPLATE ON ENTIRE CONTACT.



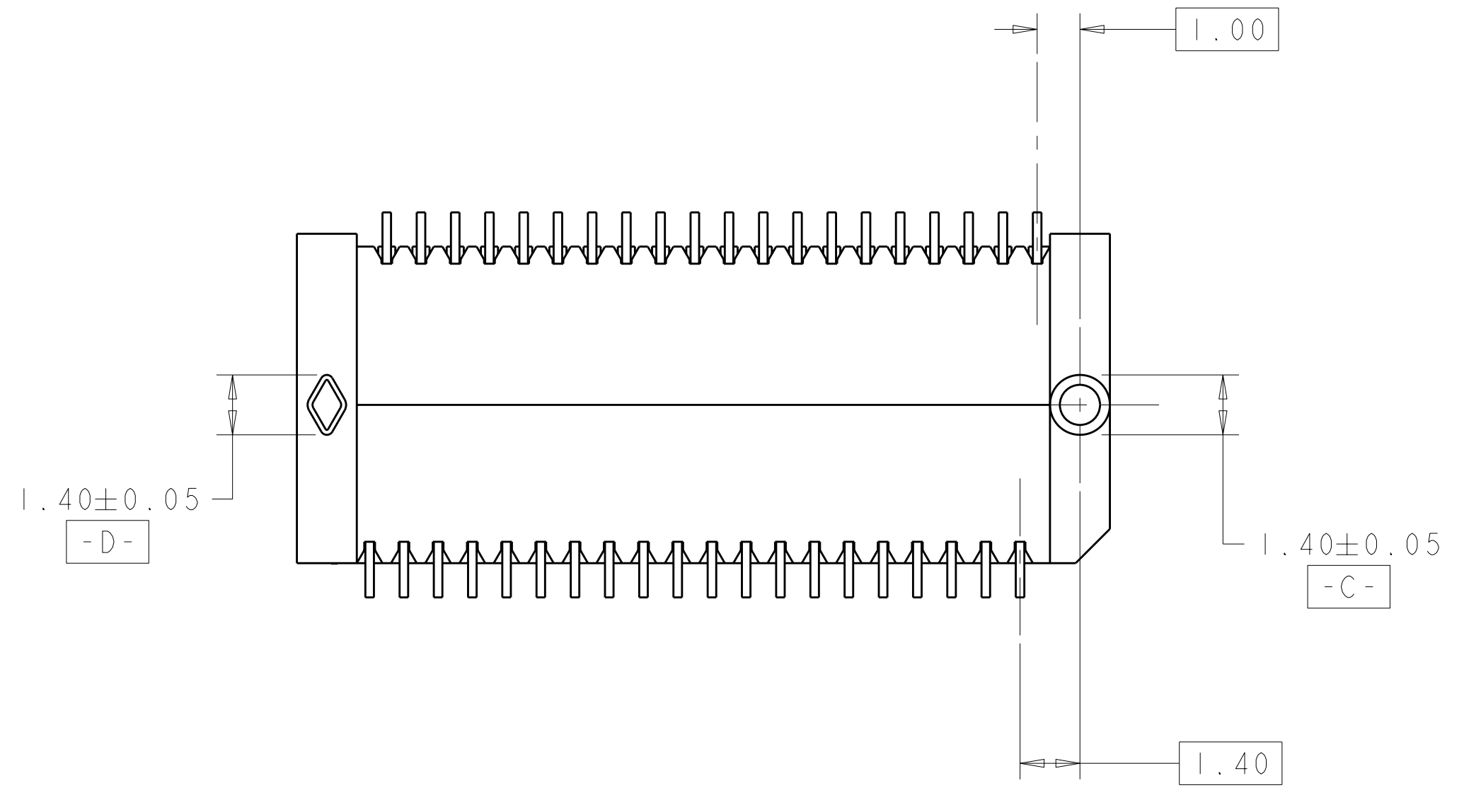
SCALE 5:1



SECTION Z-Z



DETAIL J
SCALE 25:1

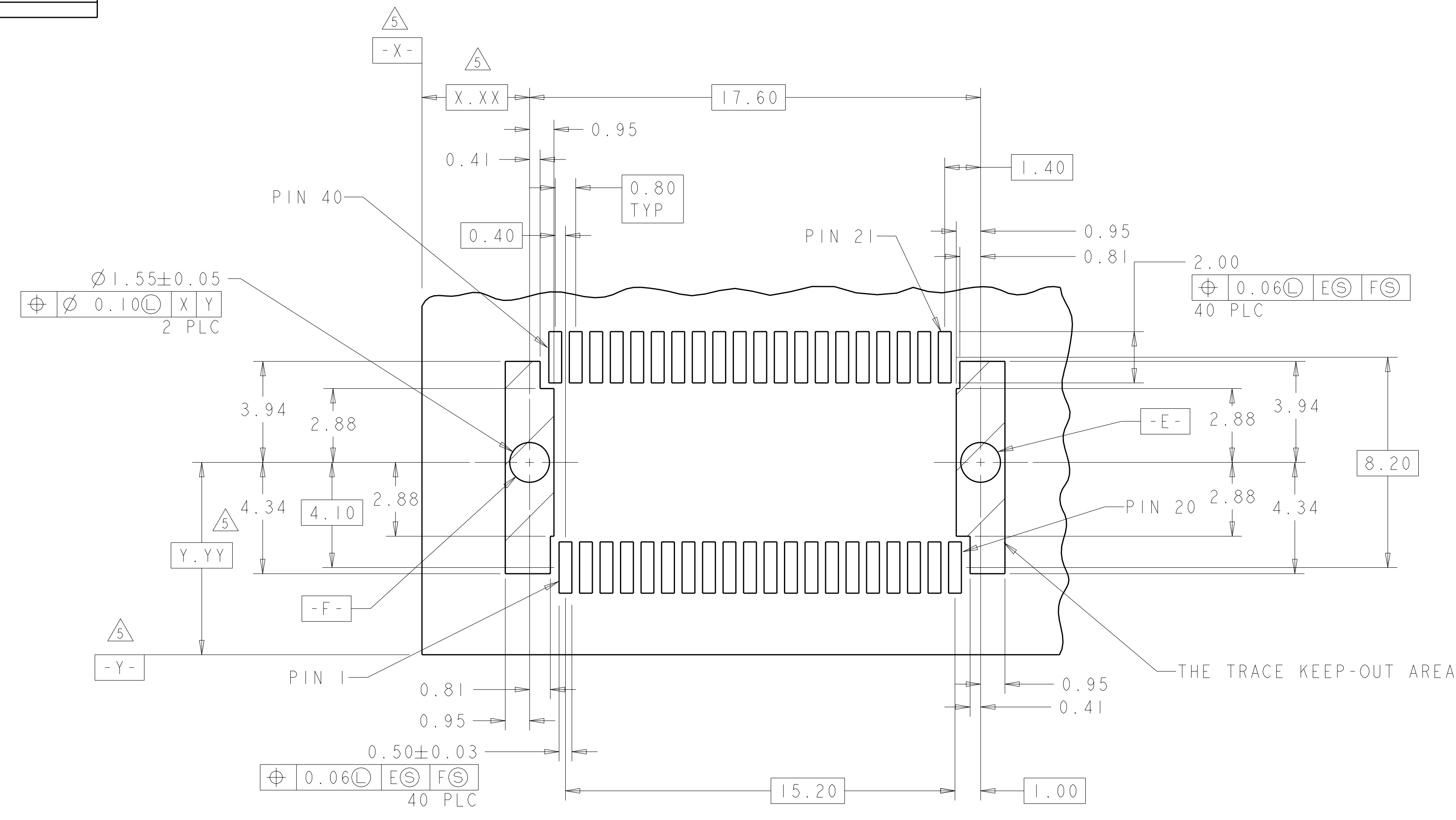


△ 6	1367384-2
△ 2	1367384-1
FINISH	PART NUMBER

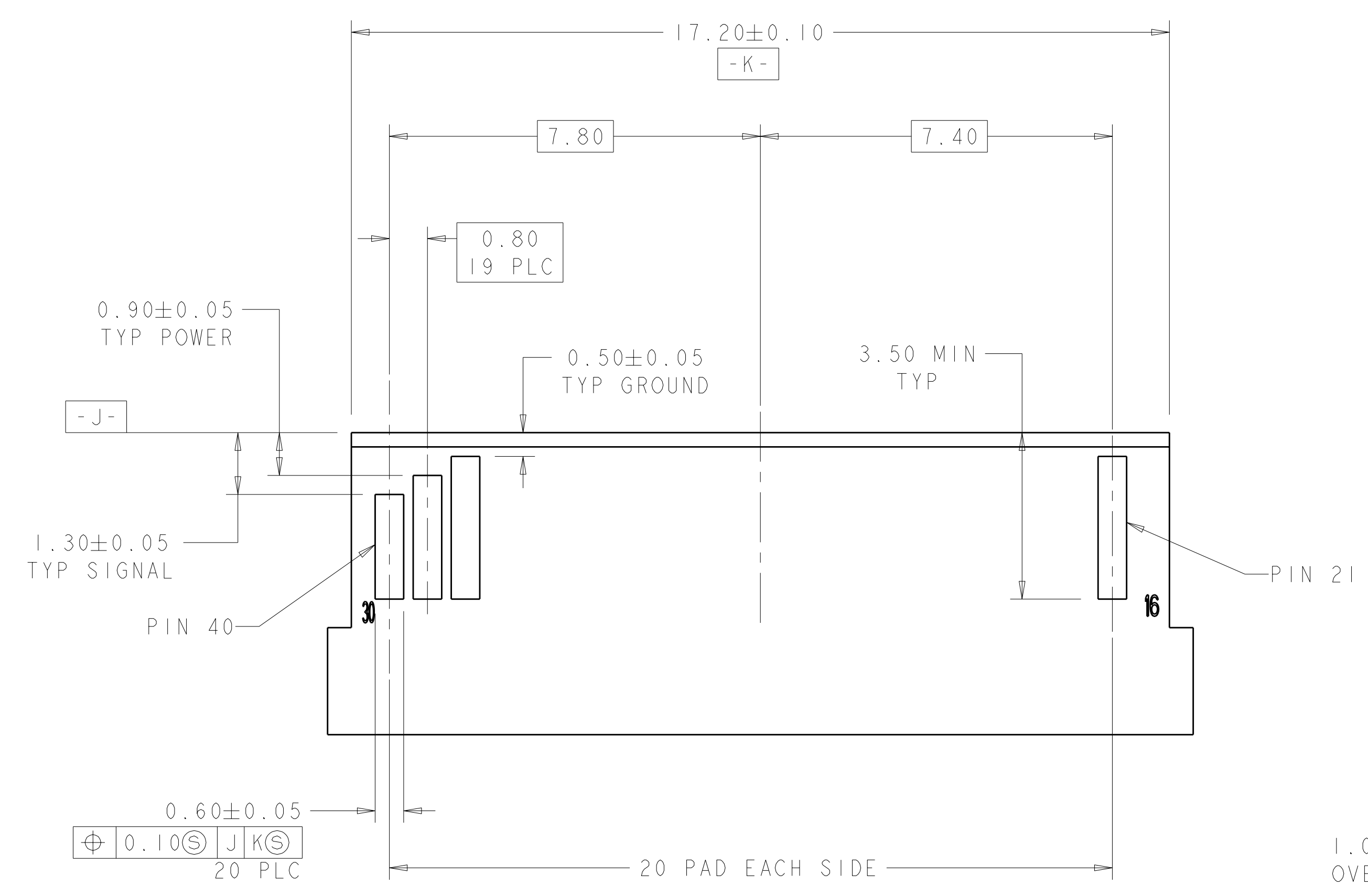
DIMENSIONS: mm 		TOLERANCES UNLESS OTHERWISE SPECIFIED: 9 PLC ± 1 PLC ± 2 PLC ±0.10 3 PLC ± 4 PLC ± ANGLES ±		DWN D. BROCKWAY I AMAROT CHK J. KOPPENHEFFER I AMAROT APVD J. KOPPENHEFFER I AMAROT NAME PT CONNECTOR ASSEMBLY, 40 POSITION, RTANG, 0.8MM PRODUCT SPEC 108-1949 APPLICATION SPEC 114-13017 WEIGHT FINISH CUSTOMER DRAWING		Tyco Electronics Corporation Shanghai, P.R.China, 200233 SIZE CAGE CODE DRAWING NO RESTRICTED TO A 100779 C=1367384 SCALE 8:1 SHEET 1 OF 2 REV F	
-----------------------	--	---	--	---	--	--	--

LOC	DIST	REV	DATE	BY	APPD
ES	00				

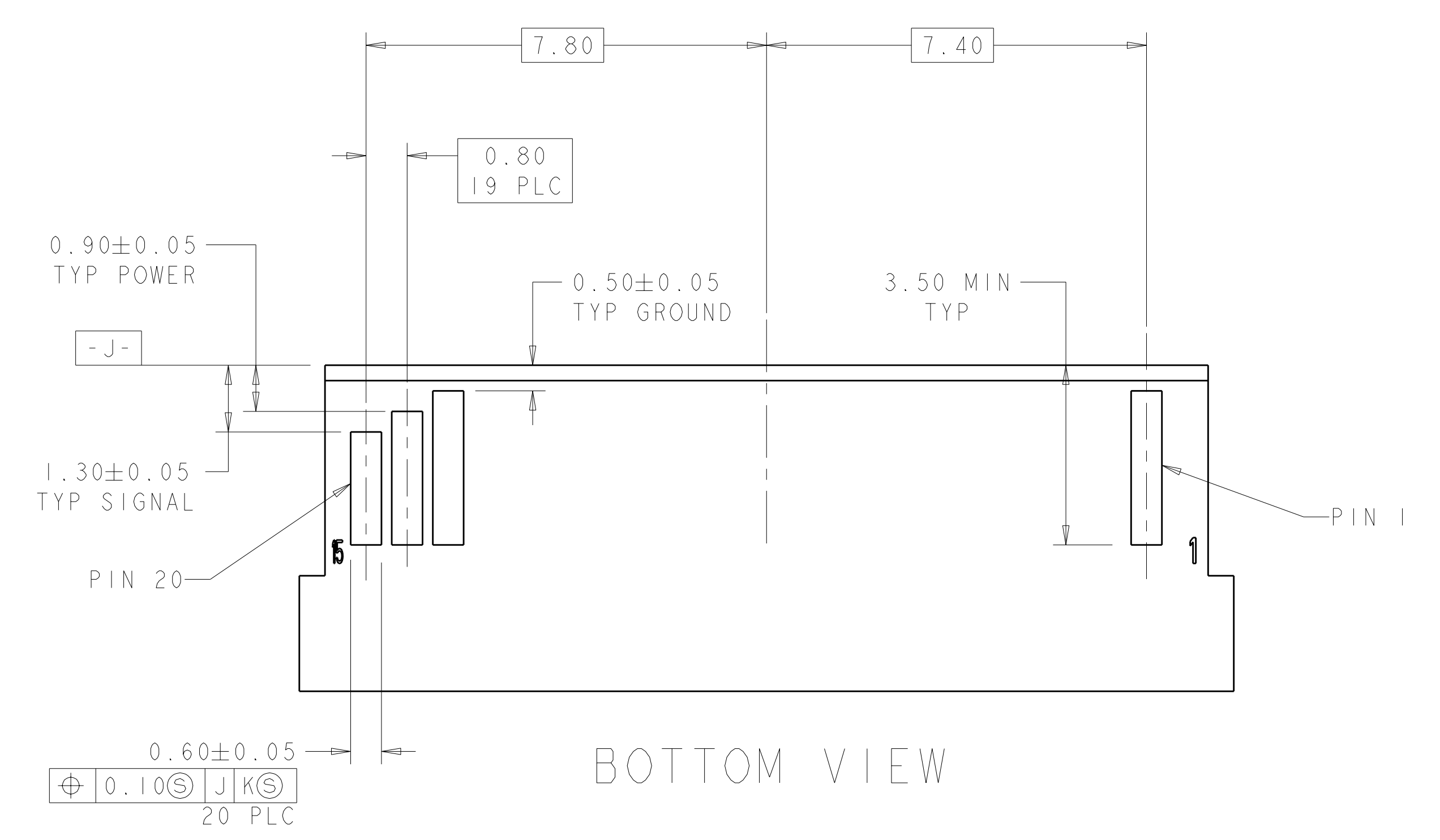
REVISIONS		DATE	BY	APPD
1	SEE SHEET 1			



RECOMMENDED PCB LAYOUT DETAIL
 CONNECTOR MOUNTING SIDE
 SCALE 8:1



TOP VIEW



BOTTOM VIEW

RECOMMENDED LAYOUT DETAIL
 MATING PCB
 SCALE 12:1

<small>THIS DRAWING IS UNPUBLISHED. RELEASED FOR PUBLICATION. IT IS SUBJECT TO CHANGE WITHOUT NOTICE AND WITHOUT LIABILITY. TOLERANCES UNLESS OTHERWISE SPECIFIED:</small>		DWN: D. BROCKWAY CHK: J. KOPPENHEFFER APVD: J. KOPPENHEFFER	I4MAR01 I4MAR01 I4MAR01	Tyco Electronics Corporation Shanghai, P.R. China, 200233
DIMENSIONS: mm 	0 PLC ± 1 PLC ±0.10 2 PLC ± 3 PLC ± 4 PLC ± ANGLES ±	PRODUCT SPEC: 108-1949 APPLICATION SPEC: 114-13017	NAME: PT CONNECTOR ASSEMBLY, 40 POS, RIGHT ANGLE, 0.8mm PITCH	RESTRICTED TO:
MATERIAL: -	FINISH: -	WEIGHT: -	SIZE: A1100779 CAGE CODE: C=1367384	SCALE: 8:1 SHEET: 2 OF 2 REV: F
CUSTOMER DRAWING				

单击下面可查看定价，库存，交付和生命周期等信息

[>>TE Connectivity\(泰科\)](#)