

6

5

4

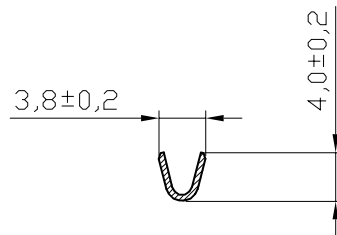
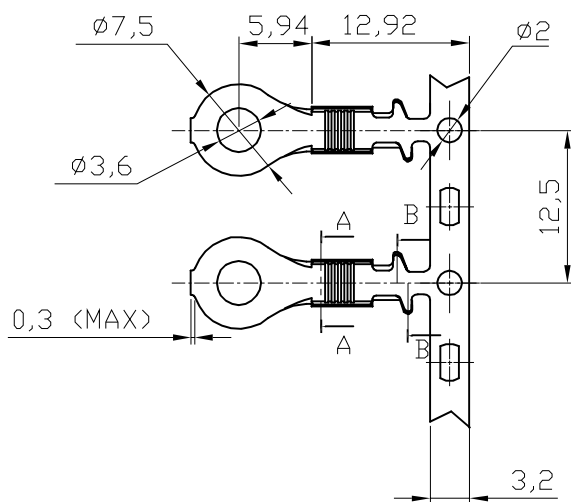
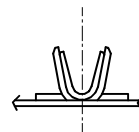
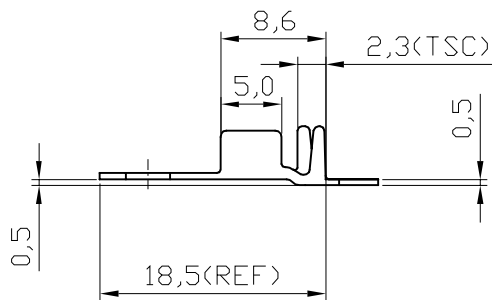


3

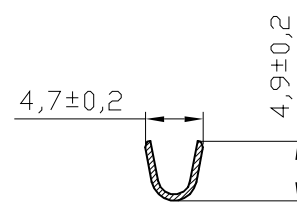
2

1

DIST	LOC	P	LTR	REVISION/RECORD	DATE	DWN	APVD
	EC		A	NEW RELEASE	JAN/22,07	SL	BW



SECTION A-A



SECTION B-B

NOTES:

1. ENAMEL WIRE APPLICATION RANGE:
 $\phi 1.0 \sim 1.65\text{mm}$.
2. INSULATION APPLICATION DATE:
 $\phi 2.7\text{mm MAX}$.
3. CONTINUOUS STRIP ON REEL.
4. CURRENT RATING COMPLY WITH UL486A RATING.

BARE

1930001-1

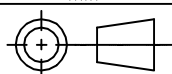
FINISH

PART NUMBER

MATERIAL	FINISH
COPPER ALLOY	SEE TABLE

TOLERANCES UNLESS
OTHER SPECIFIED:

0 PLC	± 0.5
1 PLC	± 0.2
2 PLC	± 0.15
3 PLC	\pm
4 PLC	\pm
ANGLE	\pm

DIMENSIONS IN
mm

DR	STANLEY LU	DATE	NOV.1,2006
CHK	BORIS WONG	DATE	JAN.8,2007
APVD	BORIS WONG	DATE	JAN.8,2007
PRODUCT SPEC	108-58505		
APPLICATION SPEC	114-58505		
RESTRICTED TO	SCALE	SIZE	DWG NO.
	1:1	A4	C-1930001

tyco Tyco Electronics
Electronics Hong Kong Limited
Room 1301, Ocean Centre No.
5 Canton Rd, Tsimshatsui Kowloon
Hong Kong

NAME
AMPLIVAR, (M3.5) RING TONGUESHEET
1 OF 1REV
A

6

5

4



3

2

1

单击下面可查看定价，库存，交付和生命周期等信息

[>>TE Connectivity\(泰科\)](#)