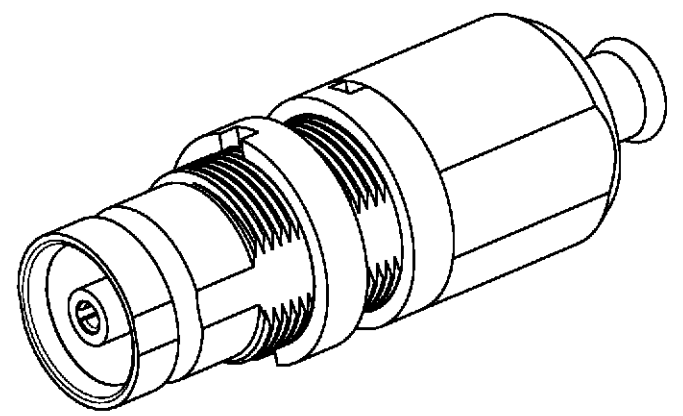
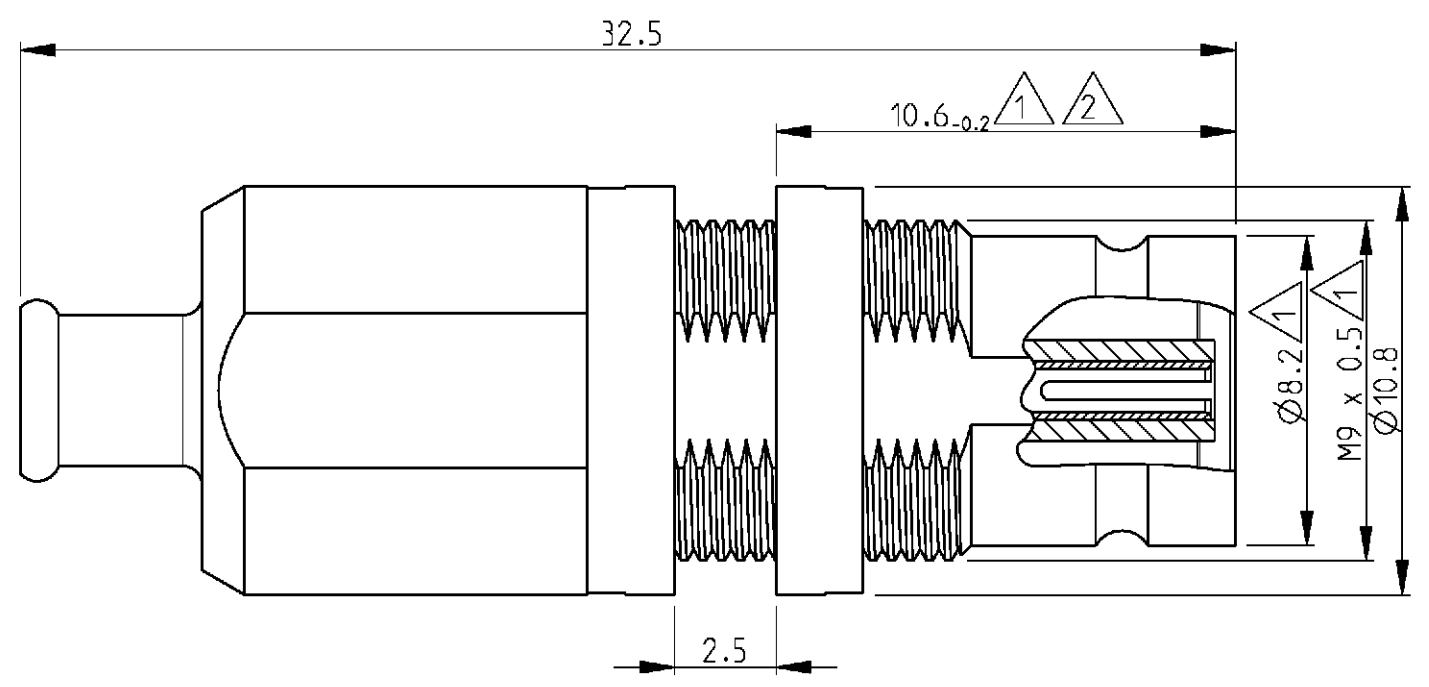


THIS DRAWING IS UNPUBLISHED. RELEASED FOR PUBLICATION 2000  
 © COPYRIGHT 2000 BY TYCO ELECTRONICS CORPORATION. ALL RIGHTS RESERVED.

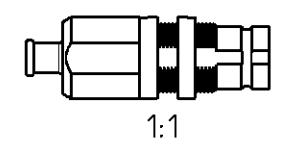
LOC	DIST	REVISIONS				
P	LTR	DESCRIPTION	DATE	DWN	APVD	
GW	-					
	A	-	05APR2001	BL	KM	



3:1

- 5) All parts supplied as loose part.
- 4) Cable type: RG 179 B/U.
- 3) All dimensions are maximum unless otherwise specified.
- 2 Installation dimension.
- 1 Mating face according to DIN 47295/ CECC 22240.

Cross reference table				
Old part number	Tyco part number	Description	Material	Plating
V23612-A608-J41	4-1393682-2	Outer conductor	Brass	1 µm Au min in contact area
		Center conductor	CuBe	1 µm Au min in contact area
		Dielectric	PEEK	-



1:1

<small>THIS DRAWING IS A CONTROLLED DOCUMENT FOR TYCO ELECTRONICS CORPORATION. IT IS SUBJECT TO CHANGE AND THE CONTROLLING ENGINEERING ORGANIZATION SHOULD BE CONTACTED FOR THE LATEST REVISION.</small>		DWN B. Lenvain 26MAR2001 CHK K. Mattheeuws 05APR2001 APVD R. Leeman 05APR2001		<b>tyco</b> Tyco Electronics <b>Electronics</b> Oostkamp - Belgium	
DIMENSIONS: mm 		TOLERANCES UNLESS OTHERWISE SPECIFIED: 0 PLC ± 1 PLC ± 2 PLC ± 3 PLC ± 4 PLC ± ANGLES ±		NAME Bulkhead jack 1.6/5.6 with cable connection.	
MATERIAL - FINISH -		PRODUCT SPEC - APPLICATION SPEC 114-71026		SIZE A3 CAGE CODE 00779	DRAWING NO C-4-1393682-2 RESTRICTED TO -
		WEIGHT - CUSTOMER DRAWING		SCALE 5/1 SHEET 1 OF 1	REV A

单击下面可查看定价，库存，交付和生命周期等信息

[>>TE Connectivity\(泰科\)](#)