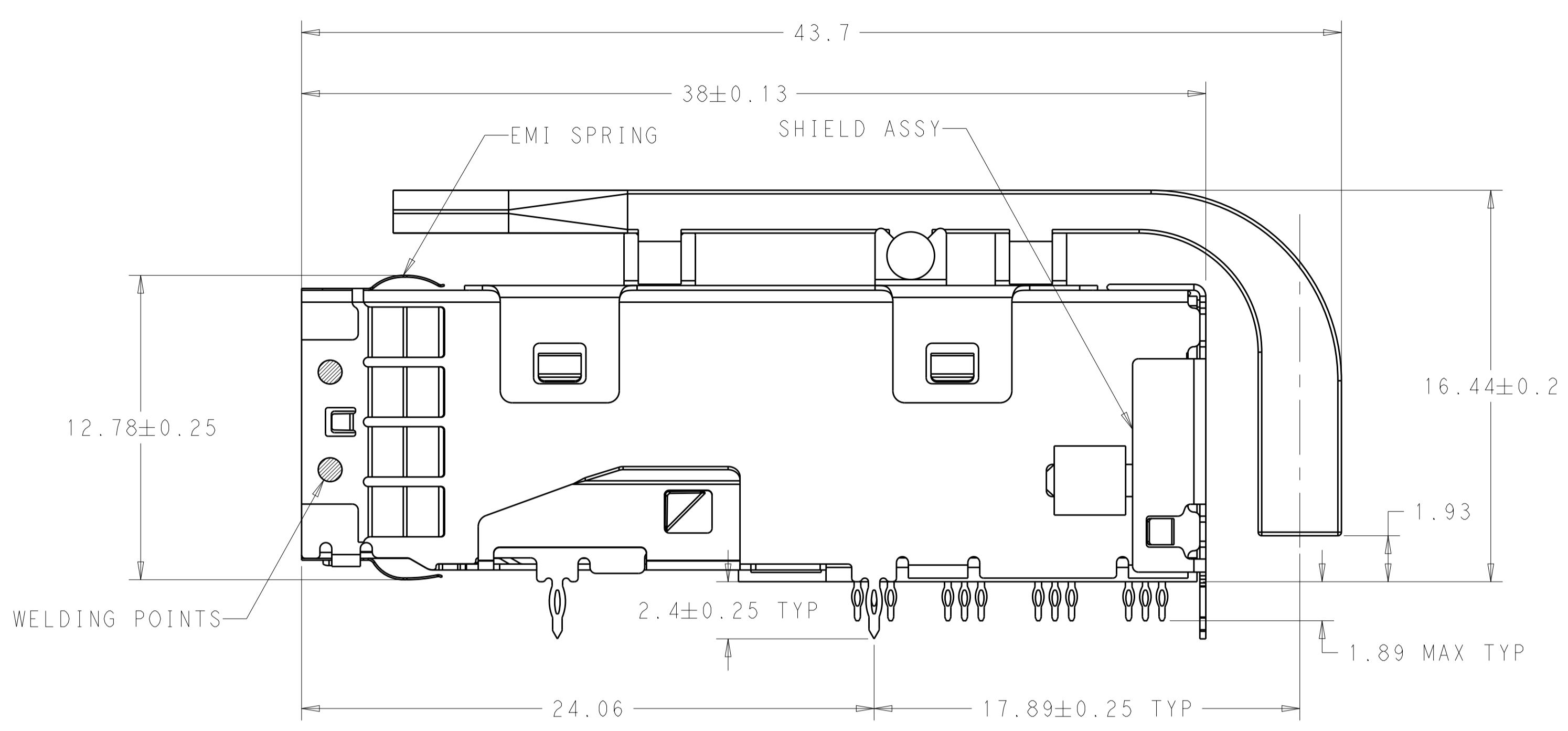
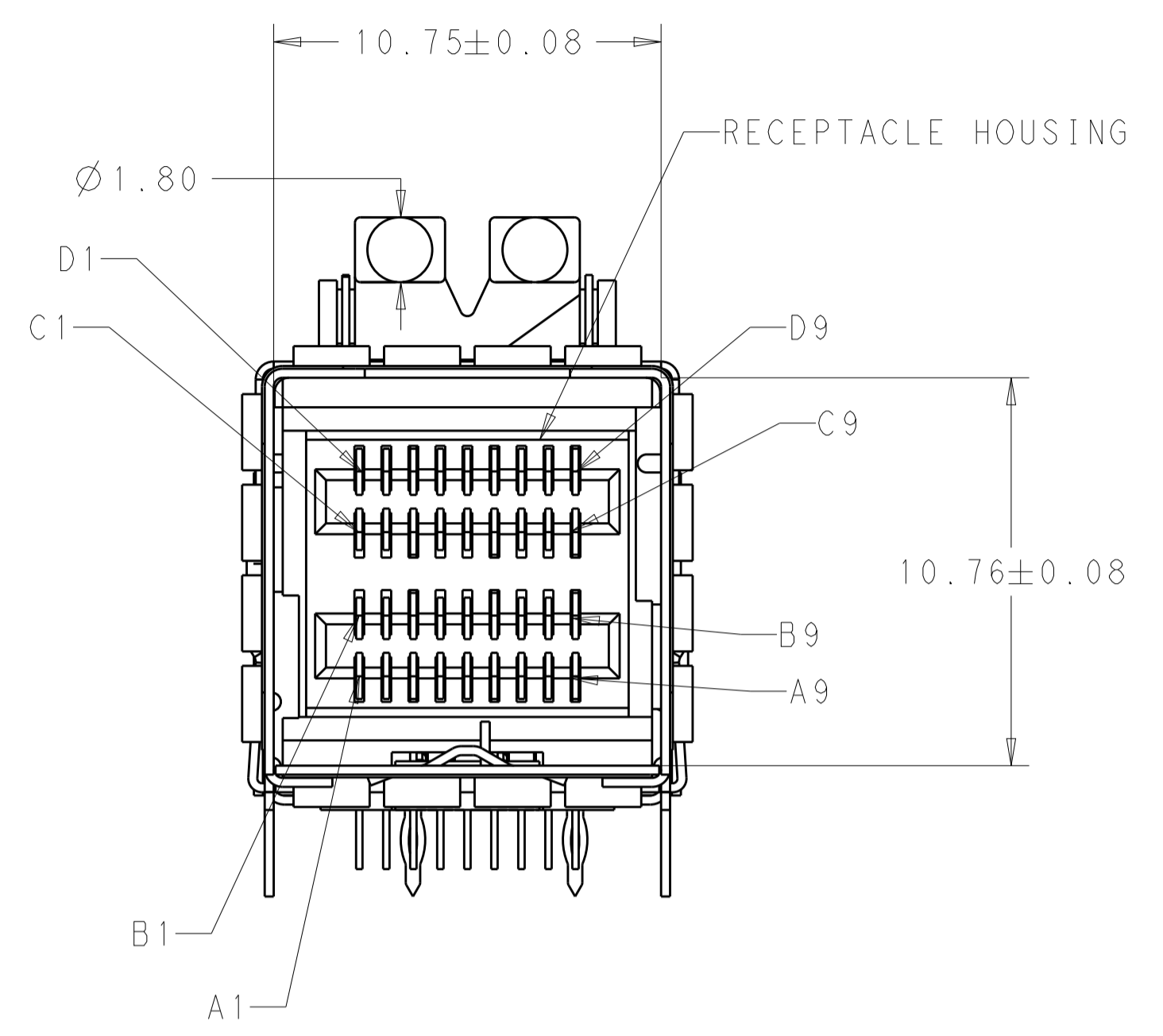
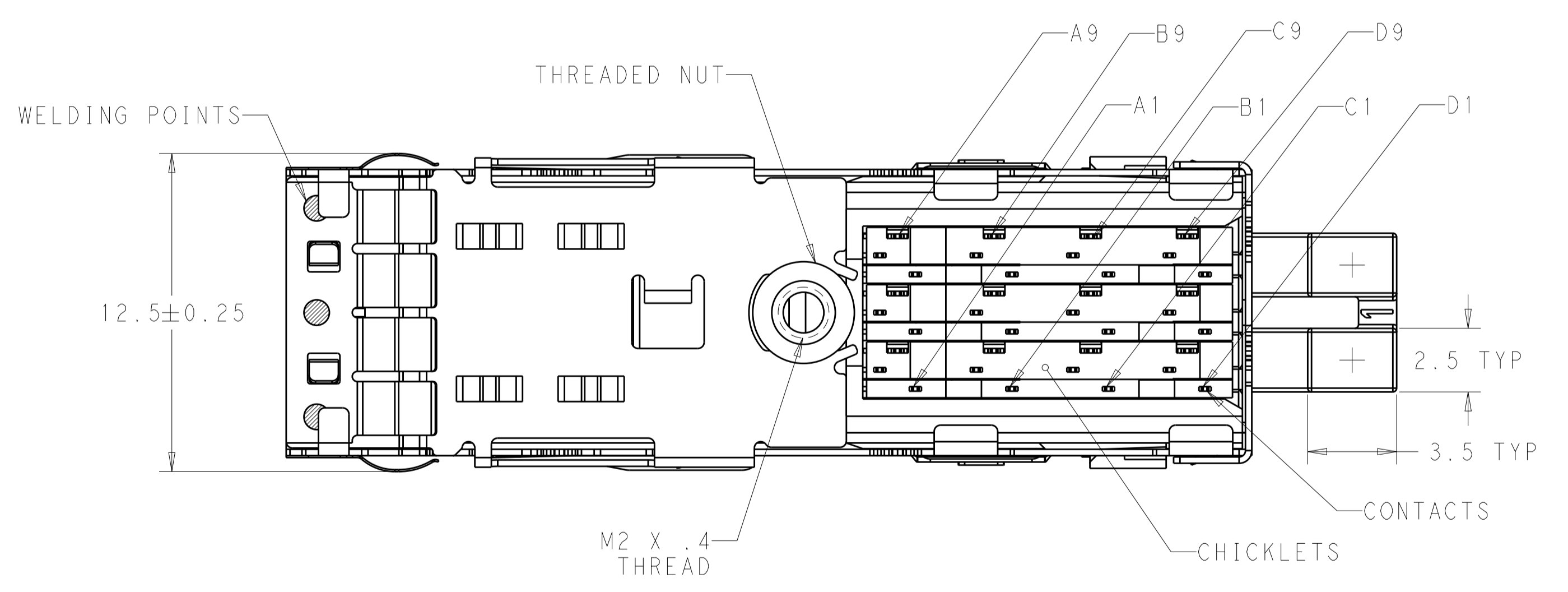


LOC	DIST	REVISIONS			
P	LTN	DESCRIPTION	DATE	DWN	APVD
A		REVISED PER ECO-14-018497	17DEC2014	AP	DG
B		REVISED PER ECO-15-013728	23SEP2015	JY	SH
C		REVISED PER ECO-15-013876	16MAY2016	JY	SH



- 1. MATERIALS**  
 RECEPTACLE HOUSING: LCP, BLACK, UL94V-0 RATED  
 SHIELD ASSY: NICKEL-SILVER COPPER ALLOY  
 CONTACTS: COPPER ALLOY  
 EMI SPRING: COPPER ALLOY  
 THREADED NUT: BRASS  
 CHICKLETS: LCP, BLACK, UL 94V-0 RATED  
 LIGHTPIPE CLIP: STAINLESS STEEL  
 LIGHTPIPE: POLYCARBONATE
  - 2. FINISH**  
 EMI SPRING: TIN PLATE OVER NICKEL PLATE  
 NON-PLATED EDGES PERMISSABLE  
 THREADED NUT: NICKEL PLATE
- △ CONTACT FINISH: CONFORMS TO THE REQUIREMENTS OF TE PRODUCT SPECIFICATION, 108-2399. BASED ON EIA/ECA-364-1000.01A. (CONTROLLED ENVIRONMENT APPLICATIONS) ON MATING END. TIN PLATED ON PCB TAIL
4. THREAD LENGTH OF FASTENER = PCB THICKNESS+1.45 MAX
- △ RECOMMENDED TRACE KEEP OUT ZONE



2198484-1 AS SHOWN

LOWER HEIGHT	14.53	2198484-2
STANDARD HEIGHT	15.54	2198484-1
LIGHT PIPE	H HOLE HIGHT OF LP	PART NUMBER

THIS DRAWING IS A CONTROLLED DOCUMENT. DWG: J. SECHRIST 15NOV2011, CHK: J. SECHRIST 15NOV2011, APVD: J. SECHRIST

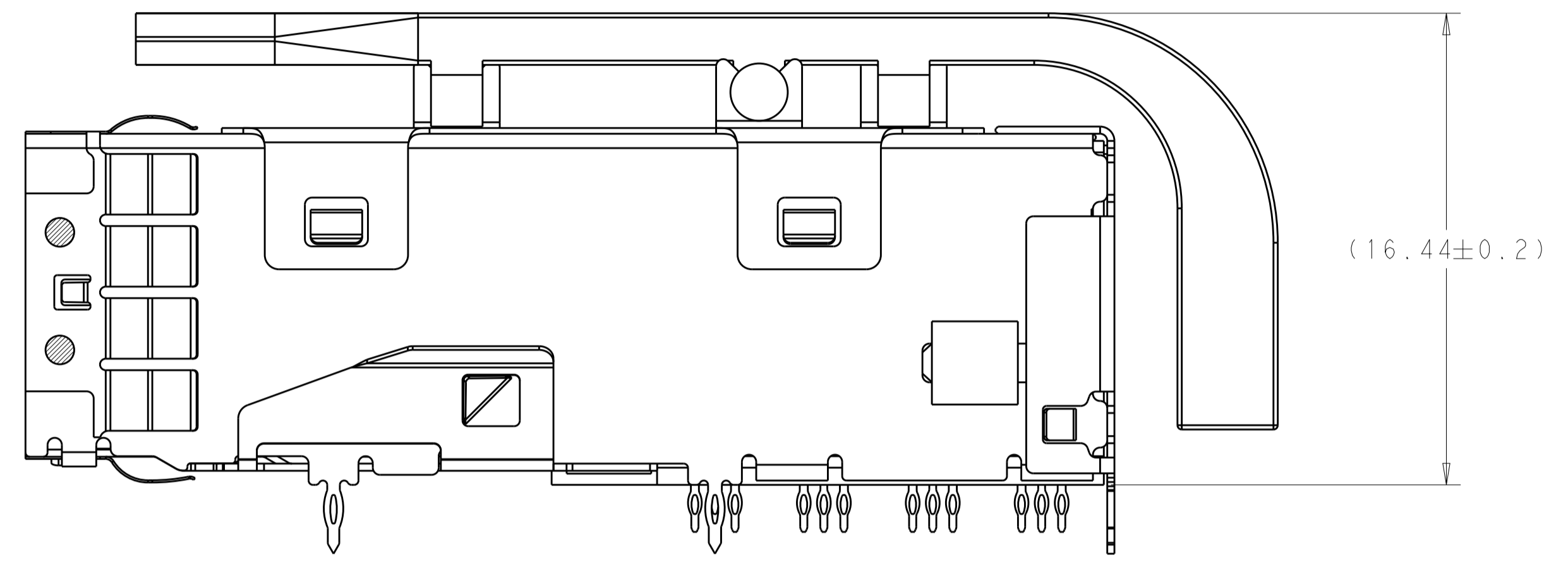
DIMENSIONS: mm. TOLERANCES UNLESS OTHERWISE SPECIFIED: 0 PLC ±, 1 PLC ±0.25, 2 PLC ±0.13, 3 PLC ±, 4 PLC ±, ANGLES ±, FINISH ±.

MATERIAL: -. PRODUCT SPEC: 108-2462. APPLICATION SPEC: 114-13316. WEIGHT: -. Customer Drawing.

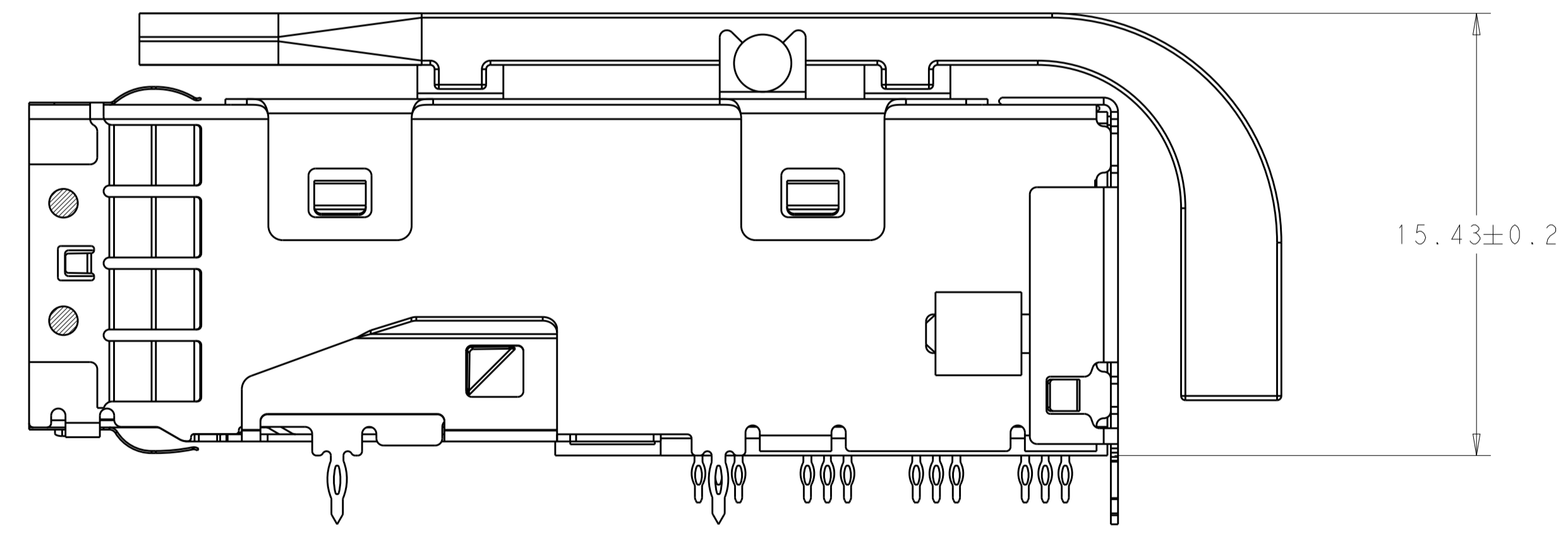
NAME: RECEPTACLE ASSEMBLY, MINI-SAS HD, 1X W/ LIGHT PIPES. SIZE: A1. CAGE CODE: 00779. DRAWING NO: 2198484. RESTRICTED TO: -. SCALE: 6:1. SHEET: 1 OF 4. REV: C.

**TE** TE Connectivity

LOC		DIST		REVISIONS			
P	LTN	DESCRIPTION	DATE	DWN	APVD		
A		REVISED PER ECO-14-018497	17DEC2014	AP	DG		



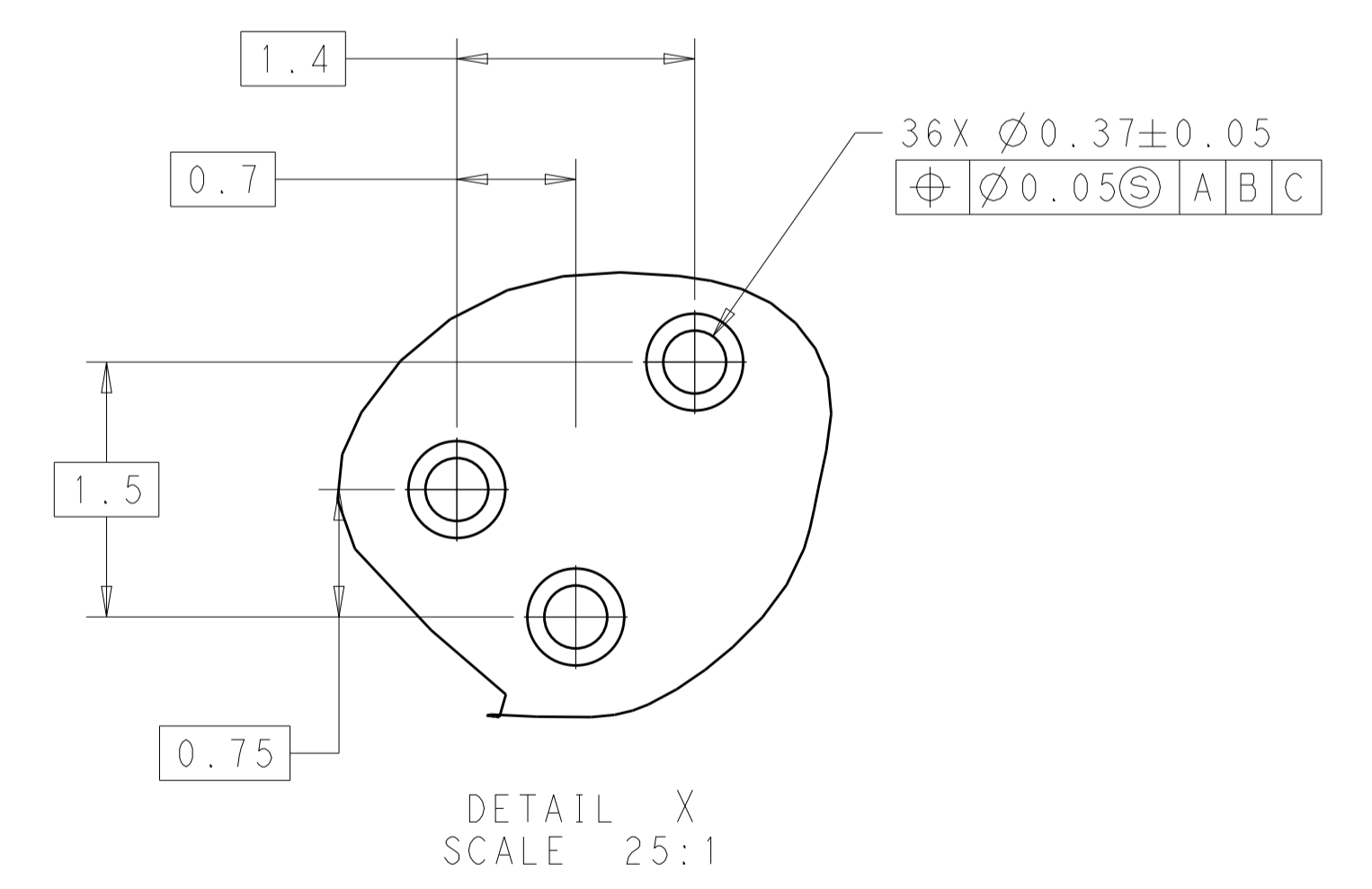
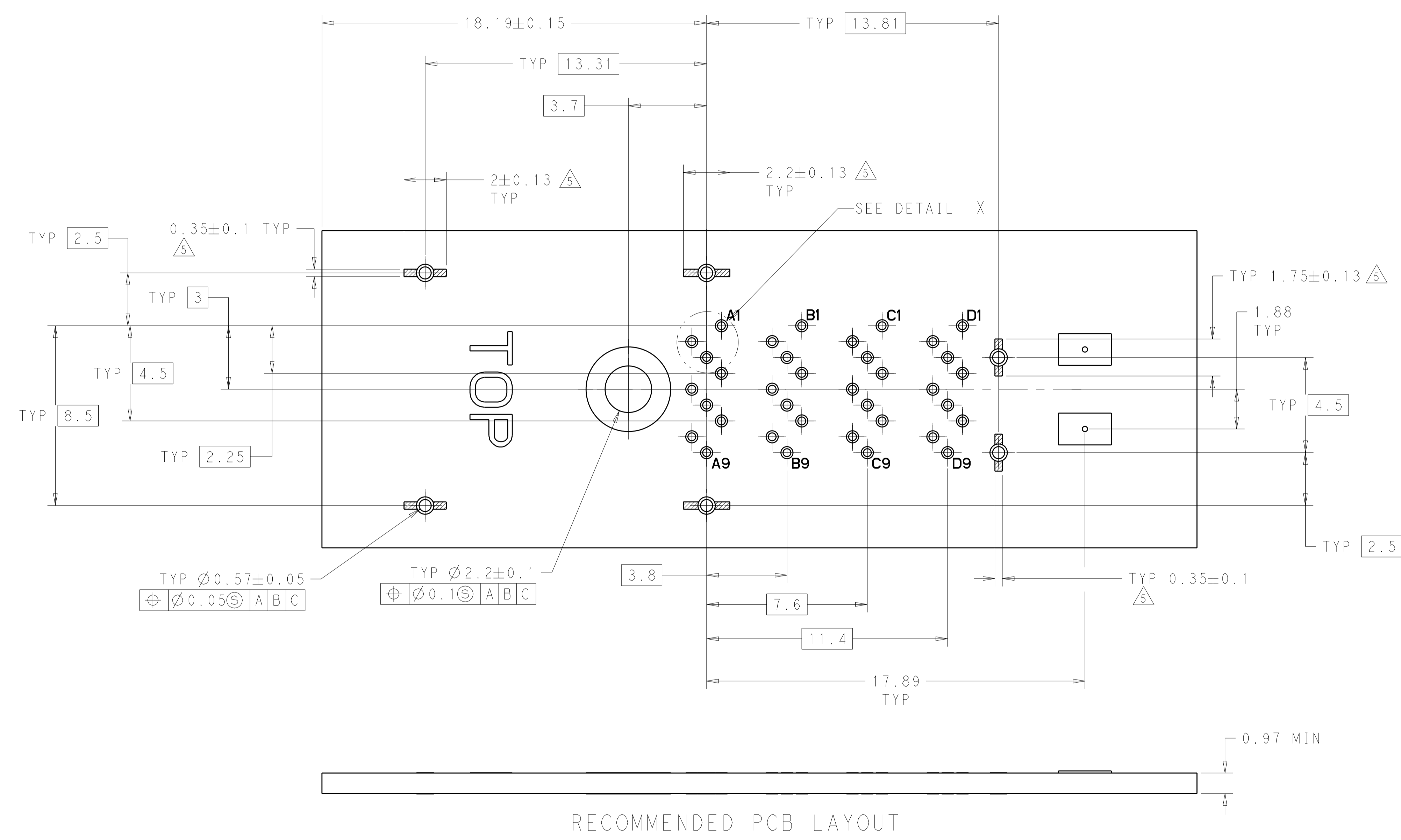
2198484-1 AS SHOWN  
 SCALE 6:1



2198484-2 AS SHOWN  
 UNSPECIFIED DIMENSIONS ARE SAME AS 2198484-1  
 SCALE 6:1

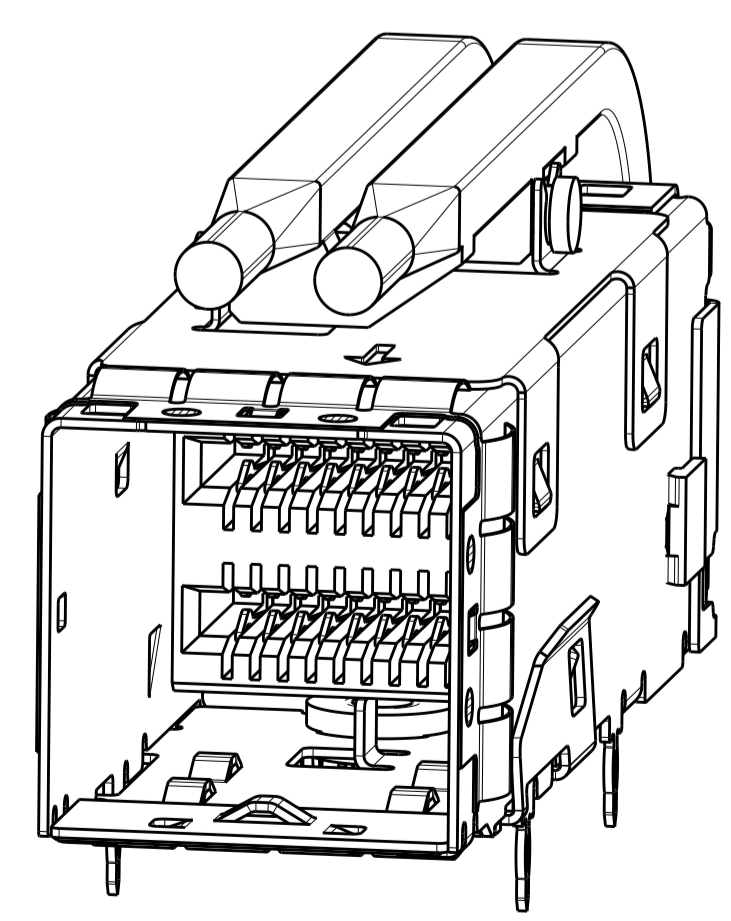
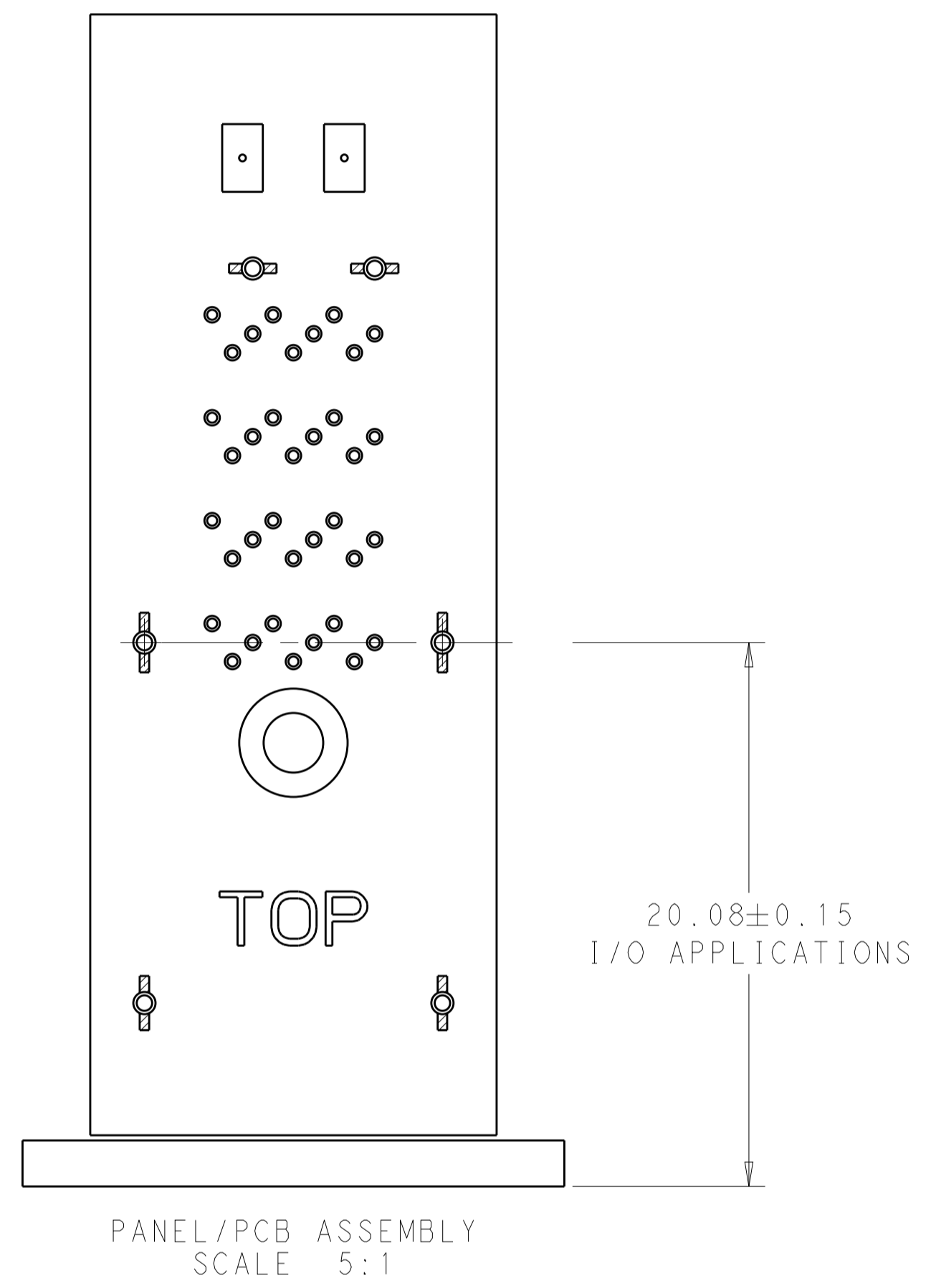
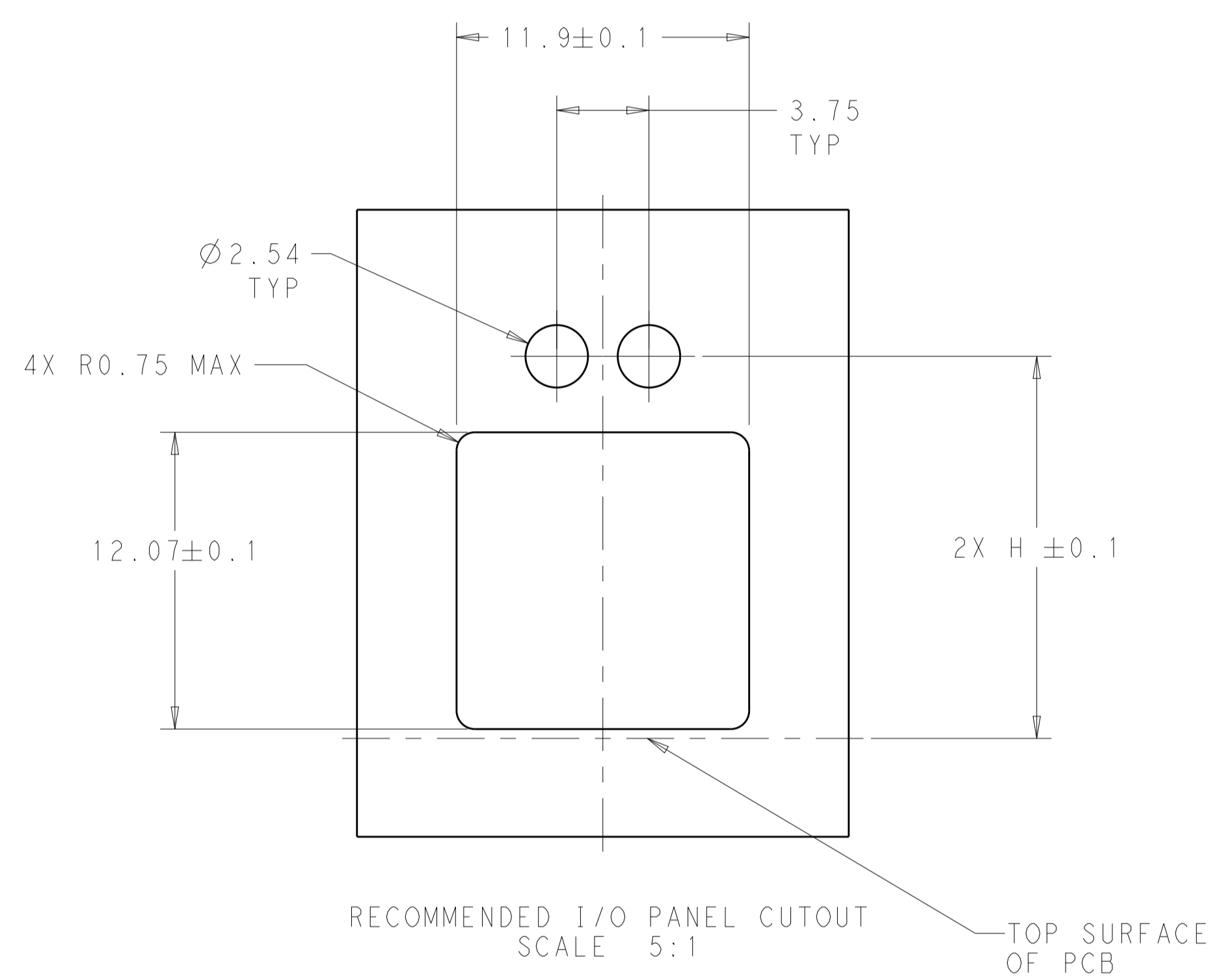
THIS DRAWING IS A CONTROLLED DOCUMENT.		DWN	J. SECHRIST	15NOV2011	TE Connectivity
		CHK	J. SECHRIST	15NOV2011	
DIMENSIONS:		TOLERANCES UNLESS OTHERWISE SPECIFIED:		NAME	
mm	0 PLC ±	PRODUCT SPEC		RECEPTACLE ASSEMBLY,	
	1 PLC ±0.25	108-2462		MINI-SAS HD, 1X	
	2 PLC ±0.13	APPLICATION SPEC		W/ LIGHT PIPES	
	3 PLC ±	114-13316		SIZE	CAGE CODE DRAWING NO
	4 PLC ±	WEIGHT		A100779	C=2198484
	ANGLES ±	Customer Drawing		SCALE	6:1
MATERIAL	FINISH	SHEET		2	OF 4
		REV		C	

LOC		DIST		REVISIONS			
P	LTN	DESCRIPTION	DATE	DMN	APVD		
-	-	SEE SHEET 1	-	-	-		



THIS DRAWING IS A CONTROLLED DOCUMENT.		DMN: J. SECHRIST 15NOV2011	TE Connectivity
DIMENSIONS: mm		CHK: J. SECHRIST 15NOV2011	
TOLERANCES UNLESS OTHERWISE SPECIFIED:		APVD: -	NAME: RECEPTACLE ASSEMBLY, MINI-SAS HD, 1X W/ LIGHT PIPES
0 PLC ±0.25	1 PLC ±0.13	PRODUCT SPEC: 108-2462	SIZE: A1
2 PLC ±0.13	3 PLC ±0.13	APPLICATION SPEC: 114-13316	CAGE CODE: C=2198484
4 PLC ±0.13	5 PLC ±0.13	WEIGHT: -	RESTRICTED TO: -
ANGLES ±0.13	FINISH: -	Customer Drawing	SCALE: 6:1
		SHEET: 3	OF: 4
		REV: C	

LOC		DIST		REVISIONS			
P	LTN	DESCRIPTION	DATE	DMN	APVD		
-	-	SEE SHEET 1	-	-	-		



THIS DRAWING IS A CONTROLLED DOCUMENT.		DMN J. SECHRIST 15NOV2011	
DIMENSIONS: mm		CHK J. SECHRIST 15NOV2011	
TOLERANCES UNLESS OTHERWISE SPECIFIED: 0 PLC ± 1 PLC ±0.25 2 PLC ±0.13 3 PLC ± 4 PLC ± ANGLES ±		APVD J. SECHRIST	NAME
		PRODUCT SPEC 108-2462	RECEPTACLE ASSEMBLY, MINI-SAS HD, 1X W/ LIGHT PIPES
MATERIAL		APPLICATION SPEC 114-13316	RESTRICTED TO
FINISH		WEIGHT	SIZE CAGE CODE DRAWING NO. A100779C=2198484
		Customer Drawing	SCALE 6:1 SHEET 4 OF 4 REV C

单击下面可查看定价，库存，交付和生命周期等信息

[>>TE Connectivity\(泰科\)](#)