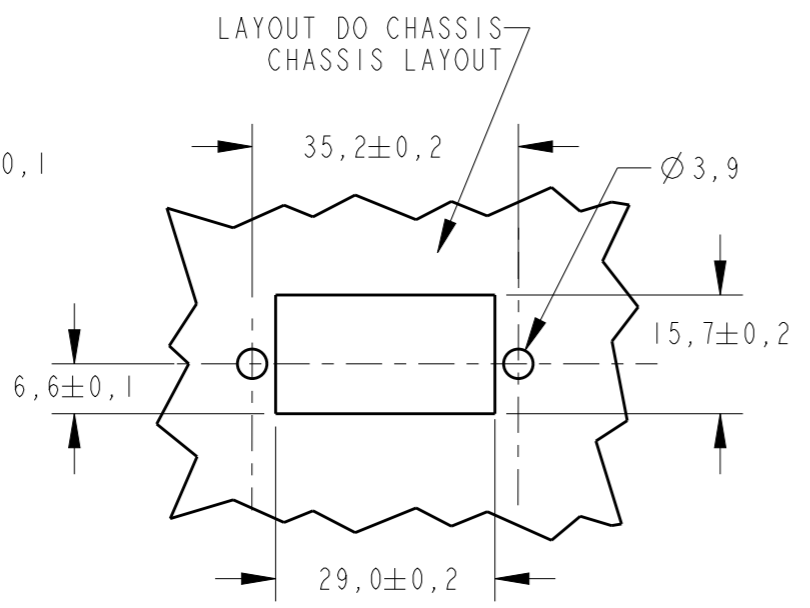
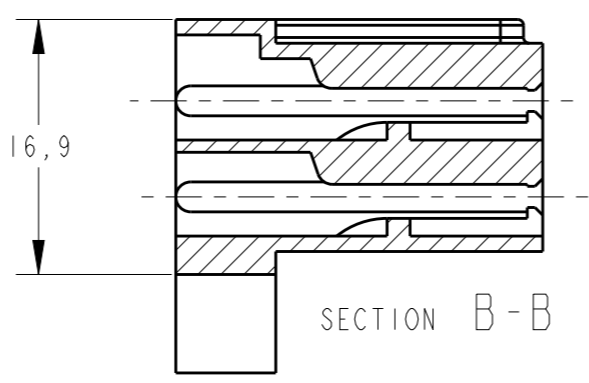
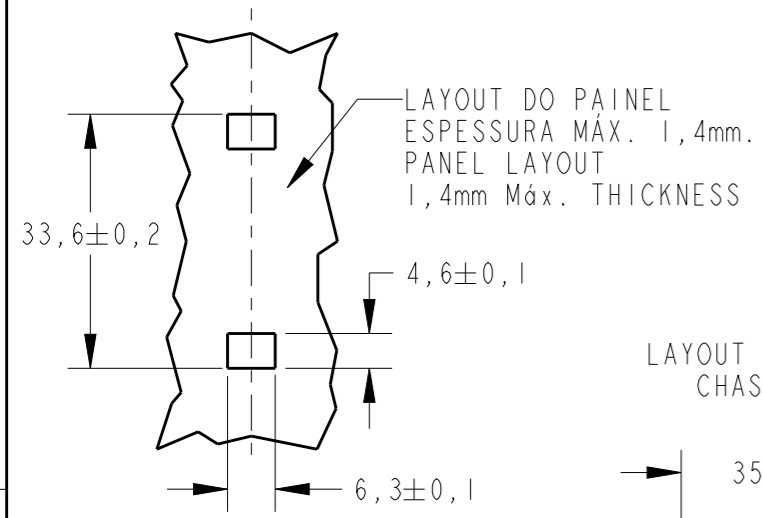
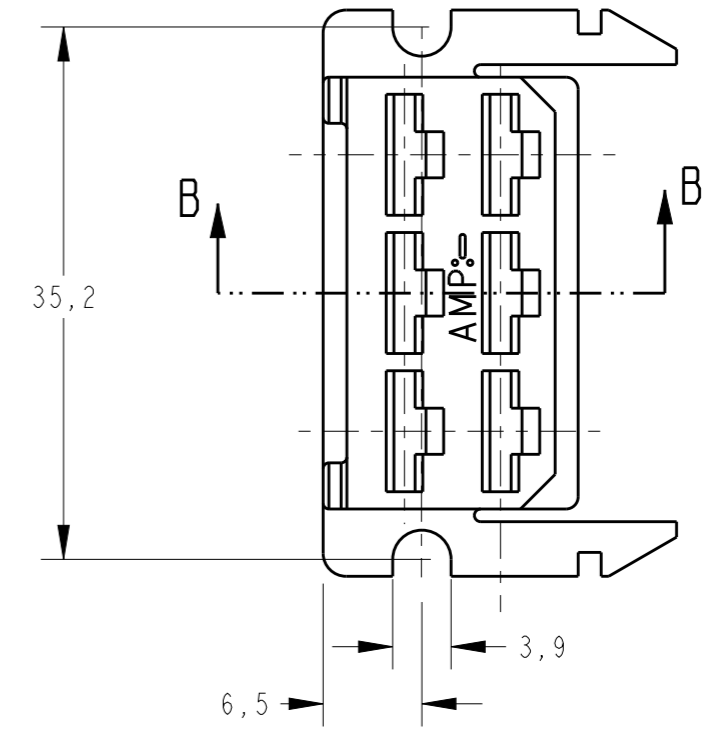
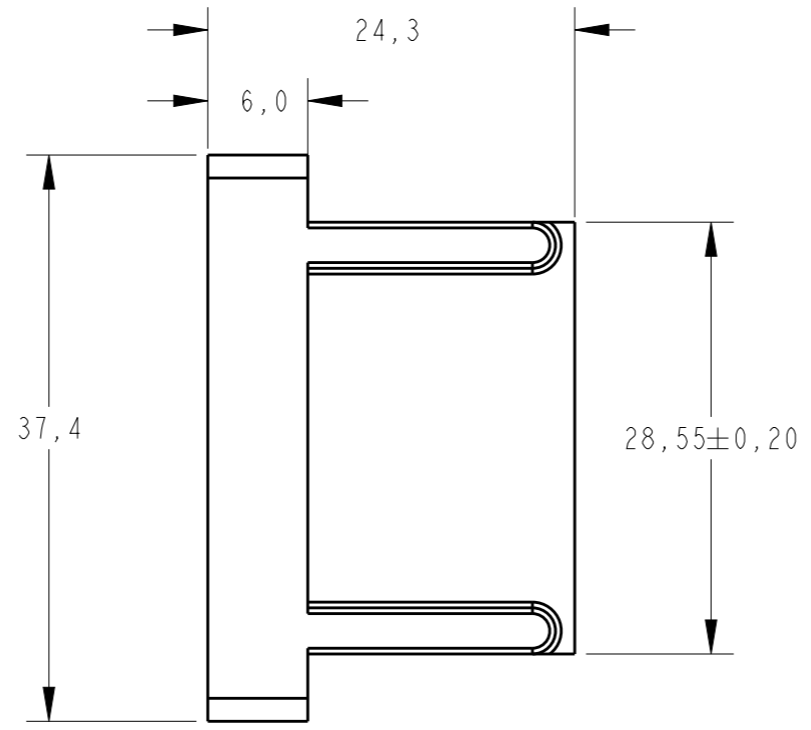
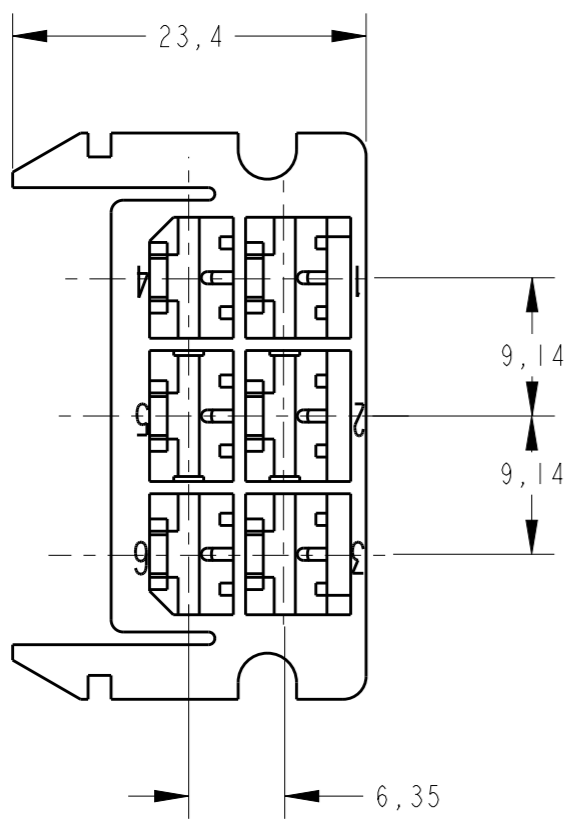


THIS DRAWING IS UNPUBLISHED. RELEASED FOR PUBLICATION 20
 © COPYRIGHT 20 BY - ALL RIGHTS RESERVED.

| LOC | DIST | REVISIONS | | | |
|-----|------|--------------------------|------------|-----|------|
| P | LTR | DESCRIPTION | DATE | DWN | APVD |
| AP | - | | | | |
| | F | REDRAW BY ECO-06-026171 | 31 JAN07 | H.C | WLS |
| | F1 | REVISED BY ECO 16-005803 | 28 JUN2016 | HC | WLS |
| | G | REVISED BY ECO 16-011418 | 16 NOV2016 | HC | WLS |
| | G1 | REV. BY ECO 17-013917 | 20 SEP2017 | HC | HC |



△ -MATÉRIA-PRIMA CONFORME IEC 60335-1 GWT 750°C SEM CHAMA.
 RAW MATERIAL ACC. TO IEC 60335-1 GWT 750°C WITHOUT FLAME.

| | | | |
|---------------------|---------------------------|-------------------|-----------------------|
| OBSOLETE | NATURAL | PA 6.6 | 1 163006 0 |
| OBSOLETE | LARANJA/ORANGE | PA 6.6 | 163006 9 |
| OBSOLETE | VIOLETA/VIOLET | PA 6.6 | 163006 8 |
| OBSOLETE | CINZA/GREY | PA 6.6 | 163006 7 |
| OBSOLETE | MARROM/BROWN | PA 6.6 | 163006 6 |
| OBSOLETE | PRETO/BLACK | PA 6.6 | 163006 5 |
| OBSOLETE | AMARELO/YELLOW | PA 6.6 | 163006 4 |
| OBSOLETE | AZUL/BLUE | PA 6.6 | 163006 3 |
| OBSOLETE | VERDE/GREEN | PA 6.6 | 163006 2 |
| | VERMELHO/RED | PA 6.6 | 163006-1 |
| | NATURAL | PA 6.6 | 163006-0 |
| | FINISH | MATERIAL | PART NUMBER |

THIS DRAWING IS A CONTROLLED DOCUMENT.

| DIMENSIONS: | TOLERANCES UNLESS OTHERWISE SPECIFIED: |
|-------------|--|
| mm | |
| | 0 PLC ±- |
| | 1 PLC ±0,3 |
| | 2 PLC ±0,3 |
| | 3 PLC ±- |
| | 4 PLC ±- |
| | ANGLES ±- |
| MATERIAL | FINISH |

DWN H.C. CANTERI 16OCT2006
 CHK W.L. STEFANI 16OCT2006
 APVD -

STE TE Connectivity

NAME: 6 WAY FASTIN-ON REC. HSG.

SIZE: A3 CAGE CODE: 00779 DRAWING NO: C=163006 RESTRICTED TO: -

CUSTOMER DRAWING SCALE: 1/1 SHEET: 1 OF 1 REV: G1

单击下面可查看定价，库存，交付和生命周期等信息

[>>TE Connectivity\(泰科\)](#)